

# Installation Manual

BKH 5.0 flat  
42-50

*green*

©2024

**BRUNNER**<sup>®</sup>

# CONTENTS

<b>1</b>	<b>Basic informations.....</b>	<b>3</b>
<b>2</b>	<b>Safety precautions.....</b>	<b>3</b>
<b>3</b>	<b>Specified symbols.....</b>	<b>4</b>
<b>4</b>	<b>Delivery contents BKH 42-50 flat.....</b>	<b>6</b>
	4.1 Catalytic converter (optional).....	9
	4.2 Heat protection panel (optional).....	11
	4.3 Heat exchanger rings (optional).....	11
	4.4 Air connection box (optional).....	12
<b>5</b>	<b>Safety distances BKH flat.....</b>	<b>13</b>
<b>6</b>	<b>Setting up.....</b>	<b>15</b>
	6.1 Remove the transport locks.....	15
	6.2 Heat protection panel (optional).....	16
	6.3 Set up the fireplace.....	27
	6.4 Variant with external combustion air connection.....	29
	6.4.1 Bottom connection (B).....	31
	6.4.2 Side connection (S).....	37
	6.5 Variant with EAS or EOS.....	43
<b>7</b>	<b>Fitting: catalytic converter.....</b>	<b>54</b>
<b>8</b>	<b>Fitting: deflection - combustion chamber.....</b>	<b>58</b>
<b>9</b>	<b>Variants heat exchanger.....</b>	<b>67</b>
	9.1 Connection with catalytic converter.....	67
	9.2 Connection without catalytic converter.....	68
	9.3 Cast iron dome.....	74
	9.4 Heat exchanger rings.....	76
	9.5 Heat exchanger MAS.....	82
<b>10</b>	<b>Frame variants.....</b>	<b>88</b>
	10.1 Door frame (BKH with side-opening door).....	88
	10.2 Mounting frame or door frame (BKH with lifting door).....	89
<b>11</b>	<b>Conversions, settings.....</b>	<b>94</b>
	11.1 Change of the door stop.....	94
	11.2 Adjusting of self-closing door.....	110
	11.3 Modification - lifting door: "non self closing".....	117
	11.4 Retrofitting EAS/EOS.....	120
<b>12</b>	<b>Disposal.....</b>	<b>120</b>
<b>13</b>	<b>Technical data.....</b>	<b>122</b>

# 1 BASIC INFORMATIONS



All instructions delivered with products must be observed. We do not accept any warranty claim or liability for damage resulting from failure to observe these installation instructions!  
Improper installation can cause injury and material damage!

The floor space of the room must have a suitable structure and sufficient dimensions to ensure proper functioning of the fireplace.

Please note that other installation and assembly instructions are included in other packaging units!

Dimensioning of downstream heat accumulator must be according to valid stove-setting rules.

During installation of the fireplace, all dimensions and minimal clearances of the fireplace casing must be held as specified by the manufacturer.

All binding national or EU standards and local regulations for the installation of fireplaces must be observed.

All valid stove fitting rules and regulations of local construction law must be observed and followed.

Please follow the relevant regulations of your country.

When these instructions are followed and all works are done properly, this will ensure a safe, energy-saving and environmentally friendly operation of the stove. Pictures shown are not to be considered as complete representations of any kind.

Subject to technical and assortment changes.

Please notify your supplier of any damage which might have occurred during transport.

Please keep these instructions.

Please also take note of the online product documentation provided by:



[General instructions of the Brunner products installation for the stove construction.](https://www.brunner.de/produktdownloads/kacheloefen-kamine/allgemeine-hinweise-fuer-den-aufbau_de.pdf)

([https://www.brunner.de/produktdownloads/kacheloefen-kamine/allgemeine-hinweise-fuer-den-aufbau\\_de.pdf](https://www.brunner.de/produktdownloads/kacheloefen-kamine/allgemeine-hinweise-fuer-den-aufbau_de.pdf)) laden können.



# 2 SAFETY PRECAUTIONS

Fireplaces may be set up only in rooms or areas with no risk of danger due to their location, structure or intended use.

Working on the stove

Installation, commissioning, servicing and maintenance works on the product may be carried out only by an authorized stove-fitter. Safety and efficiency of the system depend on this!

Working with electronics

Switch off the emergency switch or circuit breaker, and secure them against switching on again.



Fireplaces with external air supply are not independent from room air supply and must be considered and designed as roomsealed fireplaces. In connection with a ventilation or extraction system, we recommend the use of a negative pressure safety device (Art.No.: 11600.1).

Installation must be carried out by an authorized stove-fitter, because safety and efficiency of the system depend mostly on proper installation of the product. All valid stove fitting rules and regulations of building law must be observed and followed. Make sure to instruct the owner or user about the functions and controls of the system and possibly installed safety devices.

Fireplaces must be built to ensure safe operation and fire safety in order to eliminate possible risks and unacceptable loads. They have to be ready for use over an adequate period of time.

Make sure to instruct the owner or user about the functions and controls of the system and possibly installed safety devices.

Remember to use only genuine replacement parts.

### 3 SPECIFIED SYMBOLS

In this documentation, a distinction is made between:

Operating personnel as the **User of the system**, i.e. the end user, which has received instructions from the Contractor and does not necessarily have additional qualifications.

Operating personnel as the **Contractor**, i.e. the qualified professionals, which are entitled to perform the indicated specialist works.

In this document, the following symbols are used:



#### **DANGER**

A danger of high risk persists, which leads to severe injury or death, if this endangering situation is not avoided.

#### **WARNING**

A danger of medium risk persists, which can lead to severe injury or death, if this endangering situation is not avoided.

#### **CAUTION**

A danger of low risk persists, which can lead to minor or moderate injury, if this endangering situation is not avoided.



#### **ATTENTION**

There is a certain risk, which can lead to a malfunction or damage of the related system and all devices connected with it, if the indicated notifications are not followed.



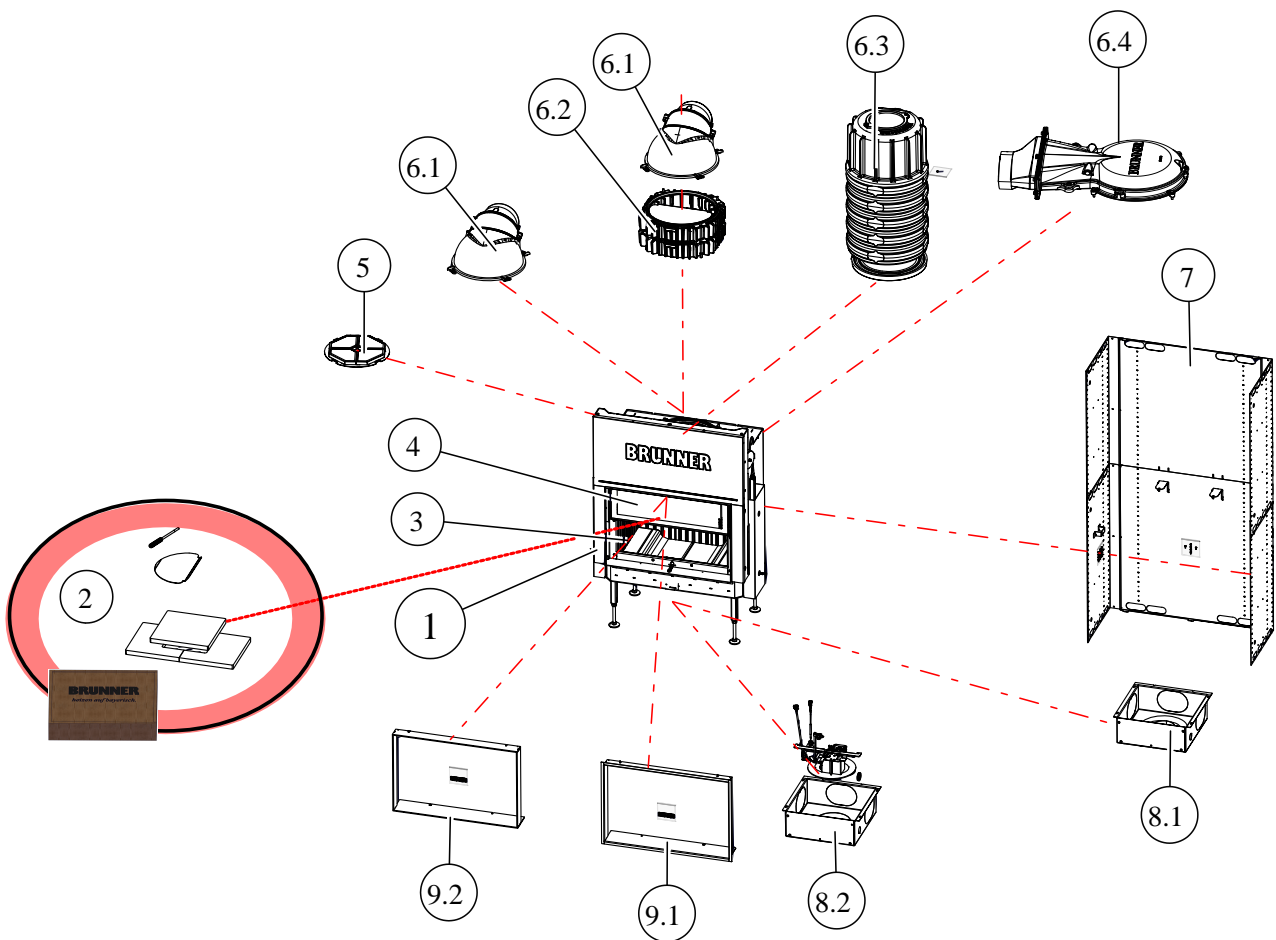
**NOTE**

Additional helpful information

## 4 DELIVERY CONTENTS BKH 42-50 FLAT

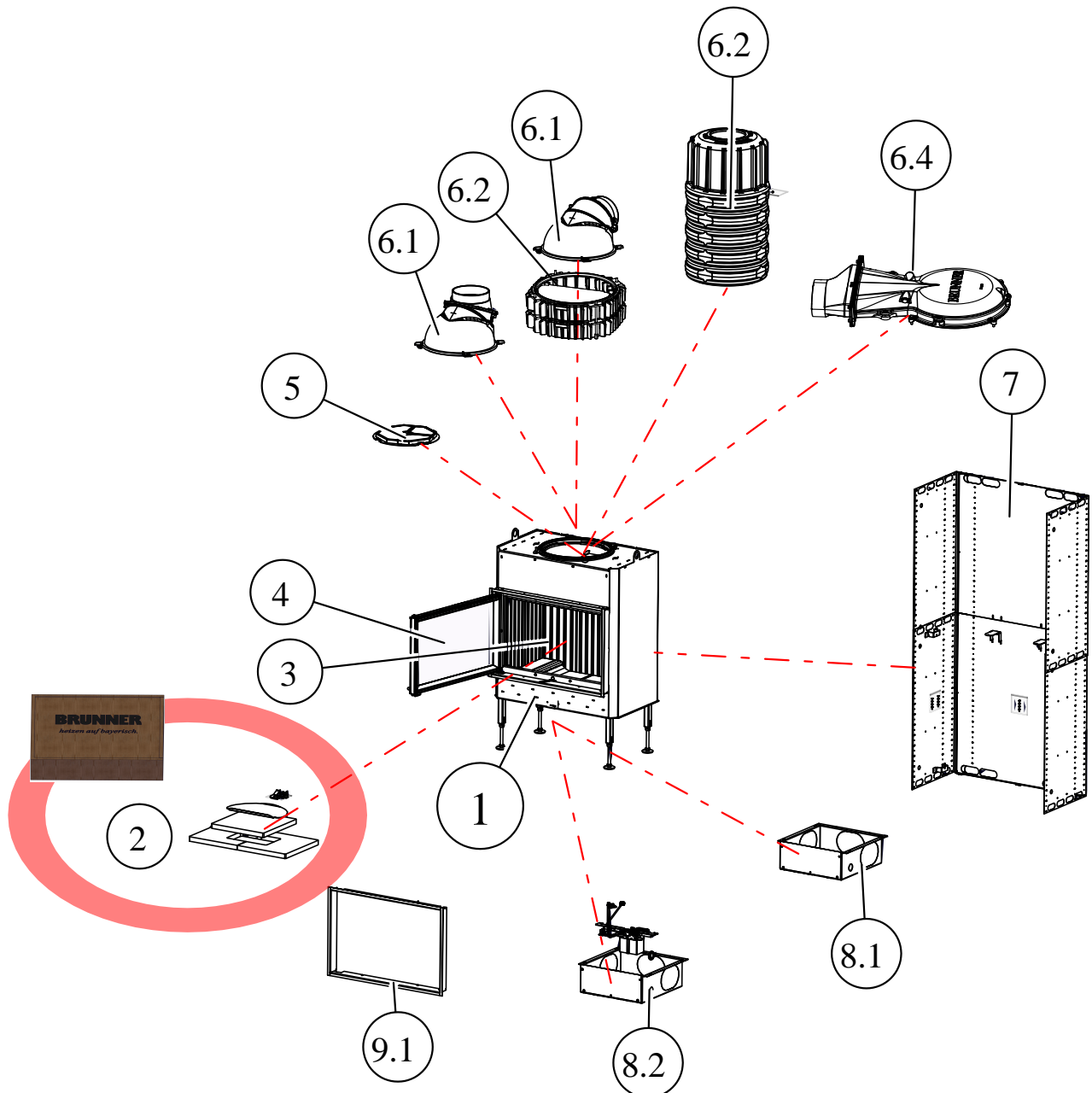
Available variants with lifting door (ST):

BKH 42-50 flat with lifting door



Available variants with side-opening door (DT)

BKH 42-50 flat with side-opening door (DT)



Pos.	Designation	Art.-Nr.	
		for ST	for DT
1	BKH - variants:		
	BKH 5.0 flat 42-50 ST with manual operation, with Ceramic glass (GK) Chamotte inner lining set (FR)	HK003002-01	-
	BKH 5.0 flat 42-50 ST with manual operation, with Glass ceramic coated (GKB) Chamotte inner lining set (FR)	HK003002-05	-
	BKH 5.0 flat 42-50 ST for EAS/EOS with Ceramic glass (GK) Chamotte inner lining set (FR)	HK003002-02	-
	BKH 5.0 flat 42-50 ST for EAS/EOS with Glass ceramic coated (GKB) Chamotte inner lining set (FR)	HK003002-06	-
	BKH 5.0 flat 42-50 ST with manual operation, with Ceramic glass (GK) Combustion chamber inner lining cast iron (FR/Guss)	HK003002-03	-
	BKH 5.0 flat 42-50 ST with manual operation, with Glass ceramic coated (GKB) Combustion chamber inner lining cast iron (FR/Guss)	HK003002-07	-
	BKH 5.0 flat 42-50 ST for EAS/EOS with Ceramic glass (GK) Combustion chamber inner lining cast iron (FR/Guss)	HK003002-04	-
	BKH 5.0 flat 42-50 ST for EAS/EOS with Glass ceramic coated (GKB) Combustion chamber inner lining cast iron (FR/Guss)	HK003002-08	-
	BKH 5.0 flat 42-50 DT with manual operation, with Ceramic glass (GK) Chamotte inner lining set (FR)	-	HK002002-01
	BKH 5.0 flat 42-50 DT with manual operation, with Glass ceramic coated (GKB) Chamotte inner lining set (FR)	-	HK002002-05
	BKH 5.0 flat 42-50 DT for EAS/EOS with Ceramic glass (GK) Chamotte inner lining set (FR)	-	HK002002-02
	BKH 5.0 flat 42-50 DT for EAS/EOS with Glass ceramic coated (GKB) Chamotte inner lining set (FR)	-	HK002002-06
	BKH 5.0 flat 42-50 DT with manual operation, with Ceramic glass (GK) Combustion chamber inner lining cast iron (FR/Guss)	-	HK002002-03
	BKH 5.0 flat 42-50 DT with manual operation, with Glass ceramic coated (GKB) Combustion chamber inner lining cast iron (FR/Guss)	-	HK002002-07
	BKH 5.0 flat 42-50 DT for EAS/EOS with Ceramic glass (GK) Combustion chamber inner lining cast iron (FR/Guss)	-	HK002002-04
	BKH 5.0 flat 42-50 DT for EAS/EOS with Glass ceramic coated (GKB) Combustion chamber inner lining cast iron (FR/Guss)	-	HK002002-08
2	The non-installed parts (e.g. deflection plates, control levers, etc.) and any accessories ordered (e.g. catalytic converter, packaging with EOS, etc.), including the instructions box, are packed in the combustion chamber		



Pos.	Designation	Art.-Nr.	
		for ST	for DT
3	verbaute Combustion chamber lining:		
	- aus Chamotte		
	- aus Cast iron		
4	Ceramic glass (GK)		
5	Catalyst module BKH 5.0	HK000210	
Smoke hood variants			
6.1	Rotating cast iron dome with adjustable connecting piece $\varnothing$ 180 mm	D004186	
	Rotating cast iron dome with connecting piece d=200 mm	10087	
6.2	with heat exchanger rings	R015006-02	
6.3	Connection variant MAS SET440	SET211444	
6.4	Cast iron dome low	D016042	
Additional options			
7	Heat protection panel	see Variants "Heat protection panel"	
8.1	Supply air connection box $\varnothing$ 125 mm	HK000135	
	Supply air connection box $\varnothing$ 150 mm	HK000136	
8.2	Supply air connection box $\varnothing$ 125 mm with EOS / EAS	HK000080	
9.1	Door frame, black	HK003152-01	HK002150-01
9.2	Mounting frame, black	HK003150-01	-

## 4.1 CATALYTIC CONVERTER (OPTIONAL)



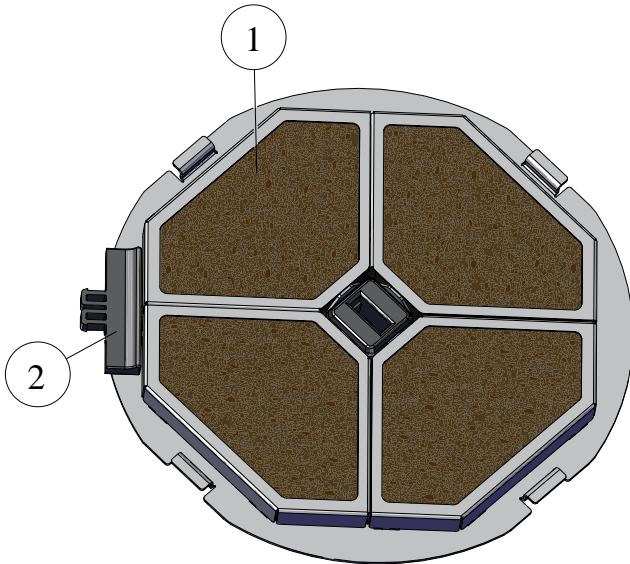
The catalytic converters are coated with a catalytically active layer. This coating can consist of mixed metal oxides or also of precious metals. In order not to limit the effect of this catalytically active layer, the catalysts may only be handled with gloves, preferably with disposable gloves.

In order not to limit the effect of this catalytically active layer, the catalysts may only be handled with gloves, preferably with disposable gloves.



**ATTENTION**

The catalysts are fragile and must only be handled with care. Avoid bumping and do not drop the catalytic converter. This could destroy the catalytic converter!



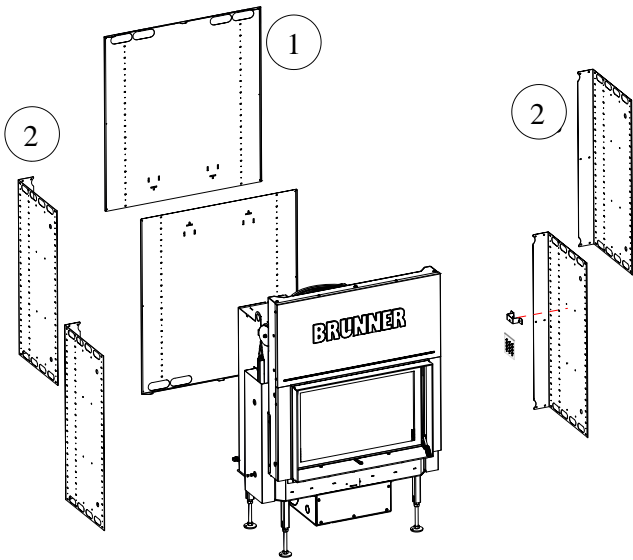
1	catalytic converter
2	assembly tool

**Note**

This catalytic converter is suitable for all BKH units (with lifting door, with side opening door, tunnel, with cast dome, with heat exchanger cast rings and MAS).

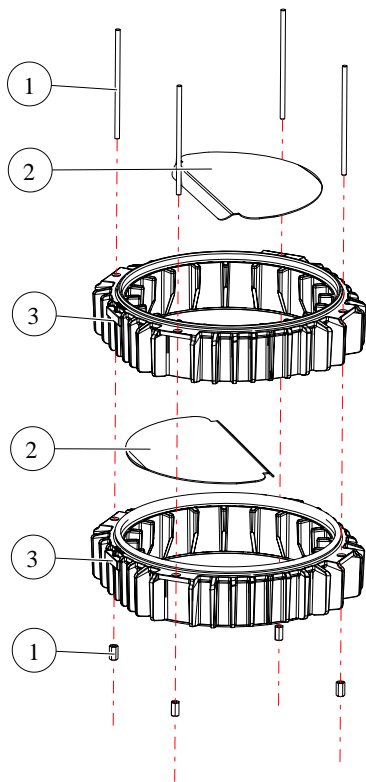
This catalytic converter can also be retrofitted.

## 4.2 HEAT PROTECTION PANEL (OPTIONAL)



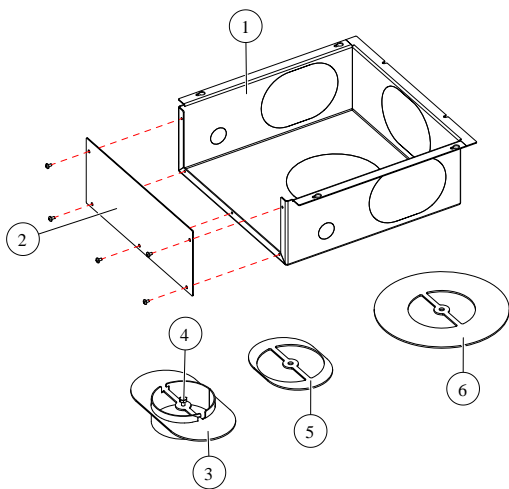
1	HK004450	Heat protection panel backwall, incl. screws
2	HK00251	Heat protection panel, side, incl. mounting frame, screws
HK004450-01 = HK004450(1) + 1x HK00251 (2)		
HK004450-02 = HK004450(1) + 2x HK00251 (2)		

## 4.3 HEAT EXCHANGER RINGS (OPTIONAL)



1	separate package (4x threaded rod, 4x hexagon nut)
2	deflection heat exchanger ( 2x)
3	cast iron heat exchanger rings ( 2x)

## 4.4 AIR CONNECTION BOX (OPTIONAL)



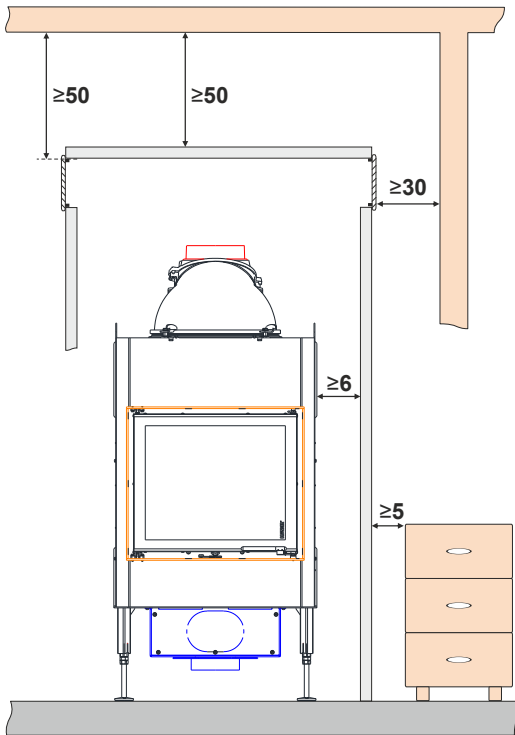
Pos.	Description of use
1	Air connection box - allows the connection of an external combustion line
2	Cover for air connection box
3	Air connection is welded, connection point for combustion air line
4	Screw for fixing the respective clamping plate
5*	Clamping plate for fixing the external combustion air line on the side
6*	Floor clamping plate for fixing the external combustion air line to the floor

\*both clamp plates are supplied, but only the appropriate one is used.

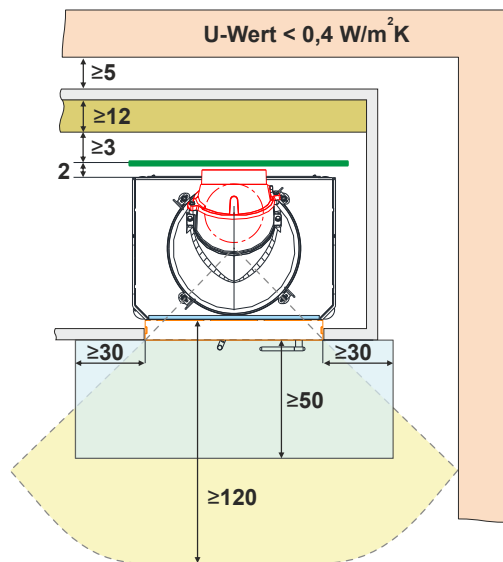
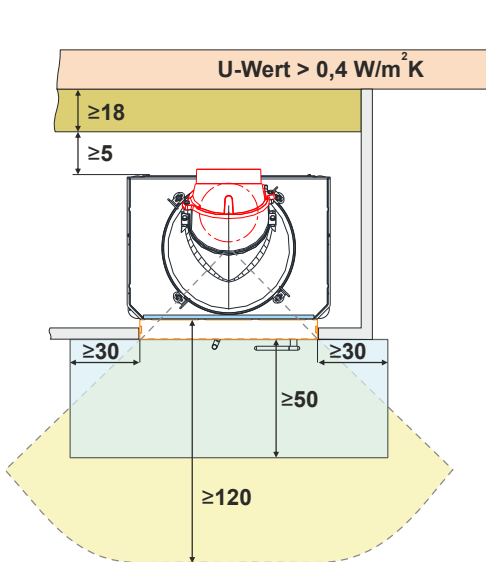
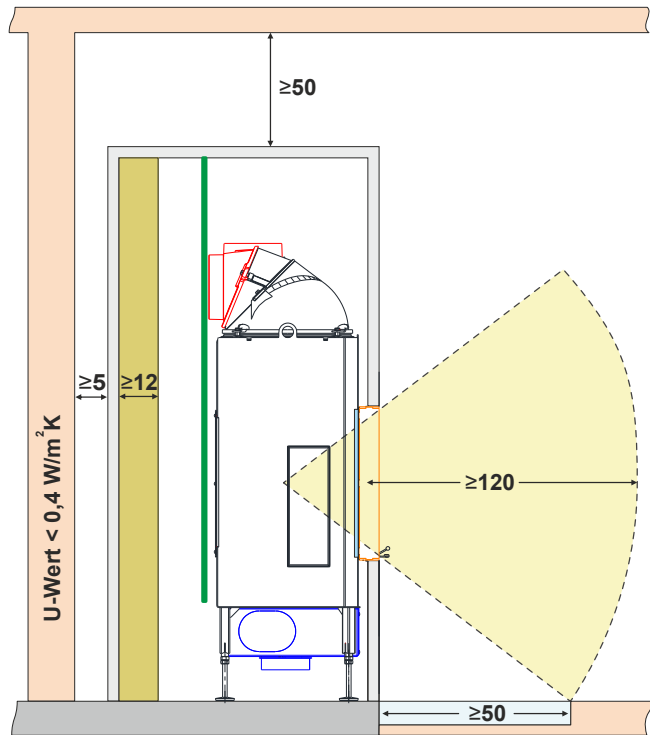
## 5 SAFETY DISTANCES BKH FLAT








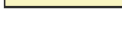
### Half-height version

without heat protection panel



with heat protection panel



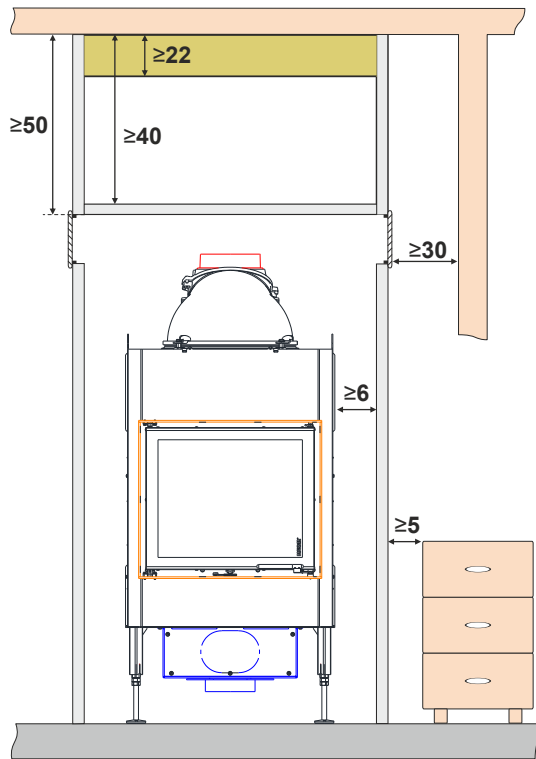
- |   |   |   |   |
|---|---|---|---|
|  | floor/wall/ceiling <b>non-combustible</b>                         |  | fireplace cladding                              |
|  | wall/ceiling/floor/attachments <b>combustible/to be protected</b> |  | convection opening                              |
|  | substitute insulation material calcium silicate (Promasil 950-KS) |  | radiation range                                 |
|  | heat protection panel (accessories)                               |  | non-combustible flooring /floor protection pane |

All figures in cm

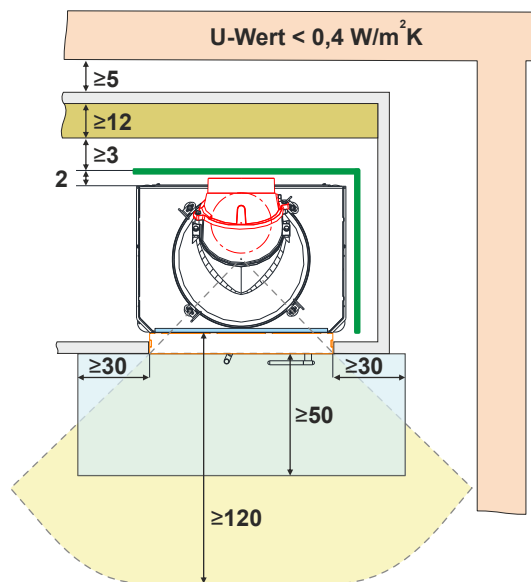
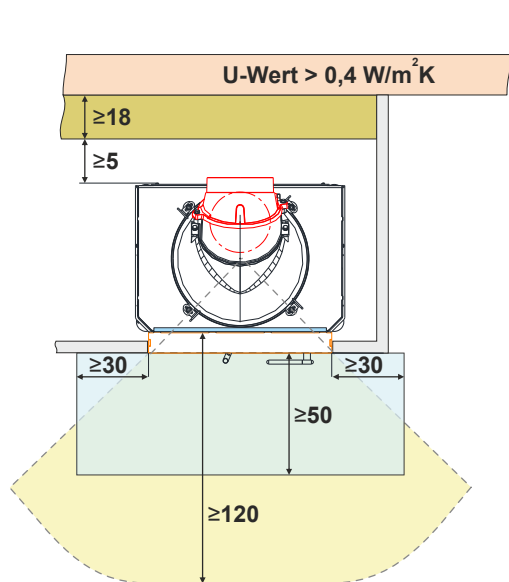
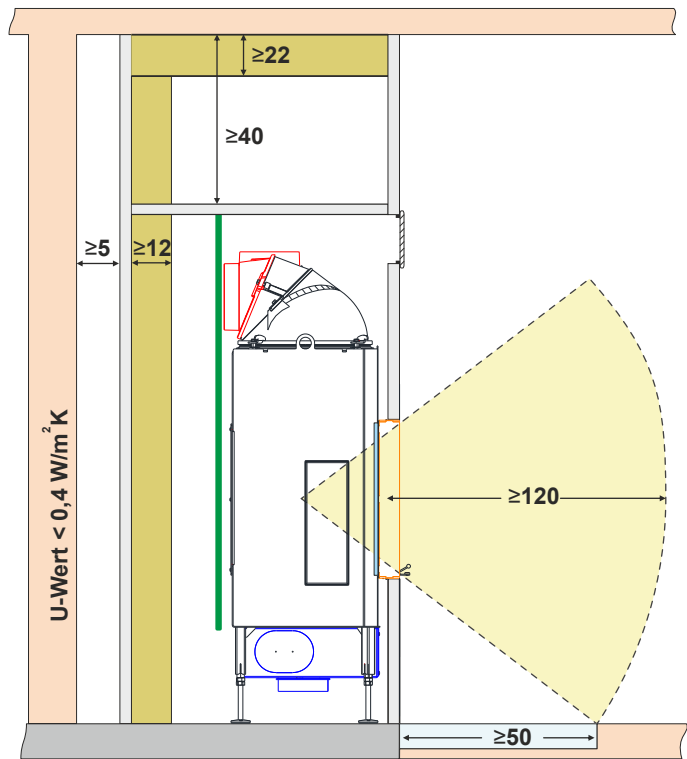
When designing the exhaust system and exhaust pipe, national standards and fire protection regulations must be observed









**Floor-to-ceiling version**

**without** heat protection panel



**with** heat protection panel



- |   |   |   |   |
|---|---|---|---|
|  | floor/wall/ceiling <b>non-combustible</b>                         |  | fireplace cladding                              |
|  | wall/ceiling/floor/attachments <b>combustible/to be protected</b> |  | convection opening                              |
|  | substitute insulation material calcium silicate (Promasil 950-KS) |  | radiation range                                 |
|  | heat protection panel (accessories)                               |  | non-combustible flooring /floor protection pane |

All figures in cm

When designing the exhaust system and exhaust pipe, national standards and fire protection regulations must be observed

## 6 SETTING UP



### **DANGER**

**Possible personal injury and/or property damage caused by improper installation**

Assembly and installation of BKH requires extensive specialist knowledge.

- Assembly and installation works must be performed by authorized professionals.



### **Danger**

**Risk of injury caused by heavy loads**

Carrying of heavy loads can lead to injuries.

- The equipment should be carried by at least two people.
- Use appropriate carrying aids.
- Keep the transport weight in mind.

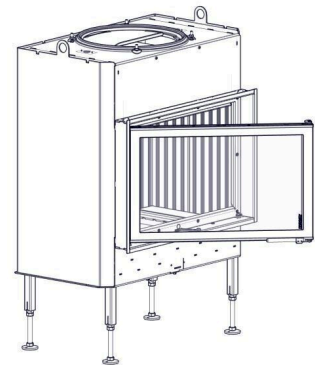
As long as the device is on the wooden pallet, it can be transported with a hand truck or forklift as usual.

### 6.1 REMOVE THE TRANSPORT LOCKS

Version with side-opening door 



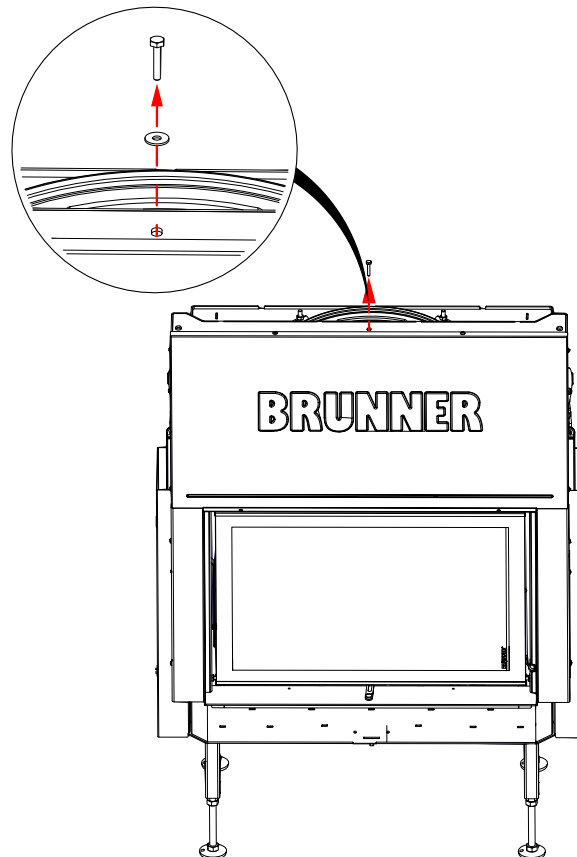
**NO TRANSPORT LOCK !**



Version with lifting door 



Remove the transport lock !



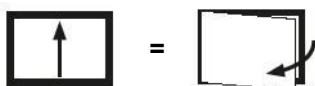
## 6.2 HEAT PROTECTION PANEL (OPTIONAL)



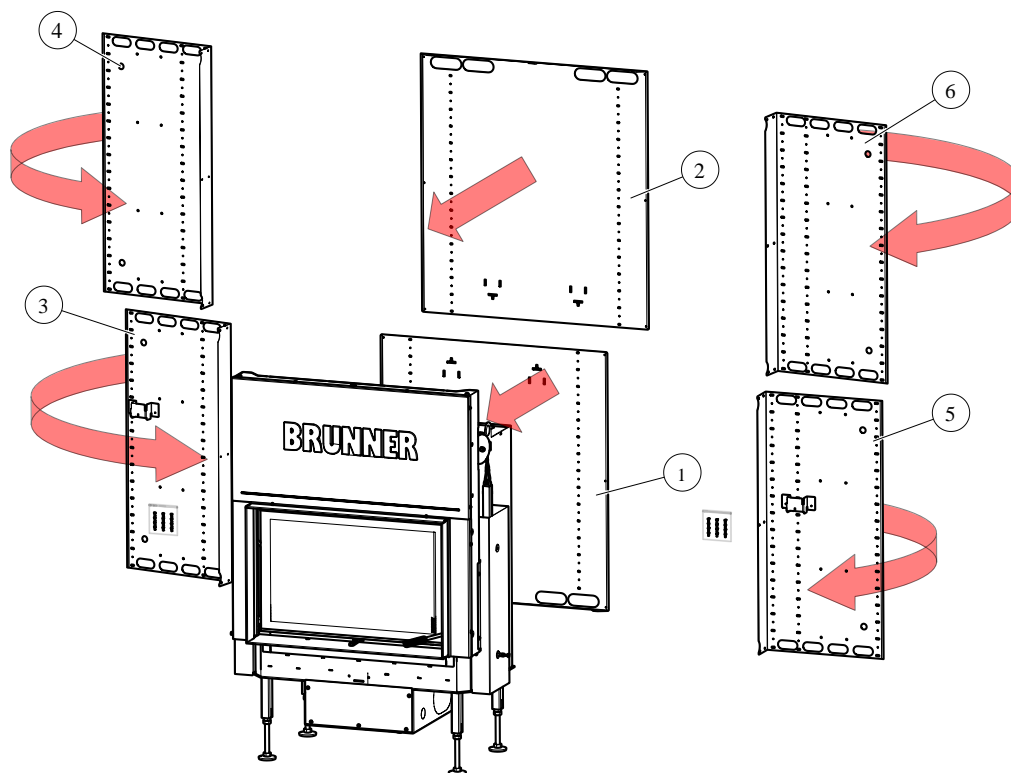
Hint

If you use heat protection panels, they should be mounted before positioning the fireplace insert. First mount the heat protection panels, then place the fireplace insert against the wall.

**Installation of the variant with all heat protection panels**







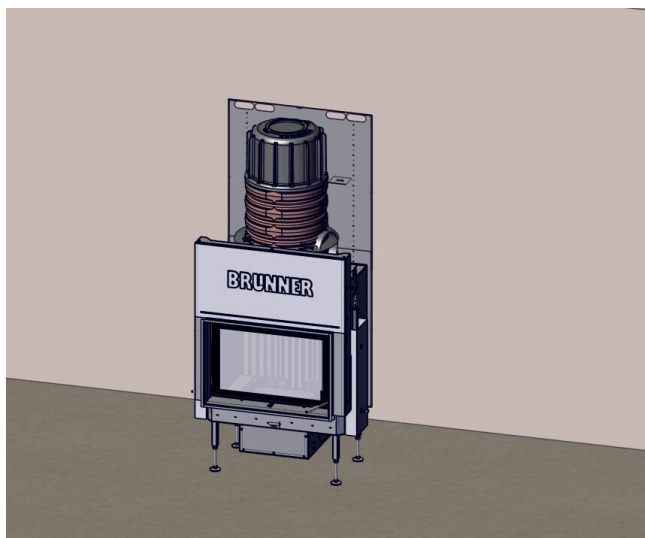
Im. 1: Summarised information



**CAUTION**  
Risk of injury from sharp edges!  
Wear protective gloves!!

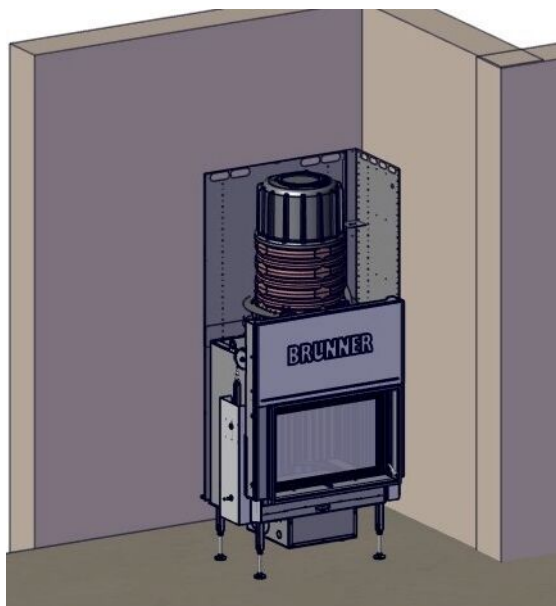


Variant A:



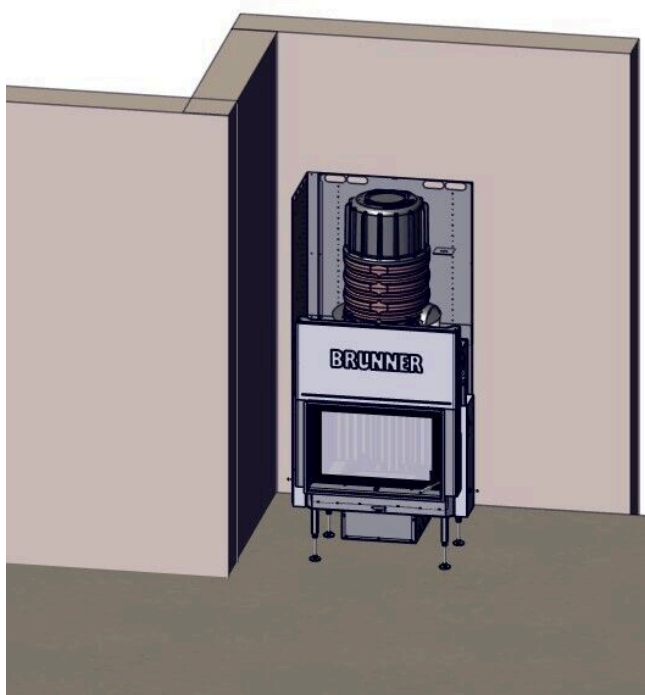
Required are:  
**Art.Nr.HK004450**

Assembly steps:  
**1 - 2**

**Variant B:**

Required are:  
**Art.Nr.HK004450-01**

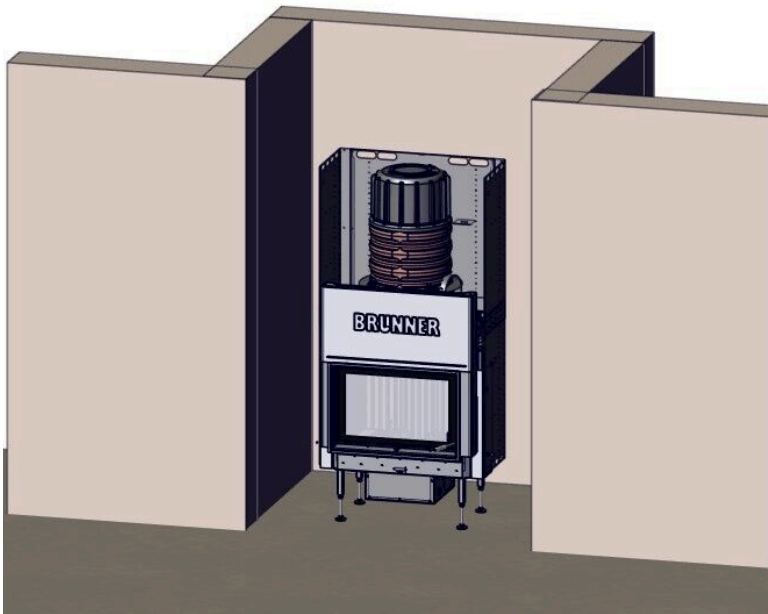
Assembly steps:  
**1 - 5 - 2 - 6**

**Variant C:**

Required are:  
**Art.Nr.HK004450-01**

Assembly steps:  
**1 - 3 - 2 - 4**

Variant **D**:



Required are:  
**Art.Nr.HK004450-02**

Assembly steps:  
**1 - 3 - 5 - 2 - 4 - 6**

### Mounting: heat protection panel (ST)

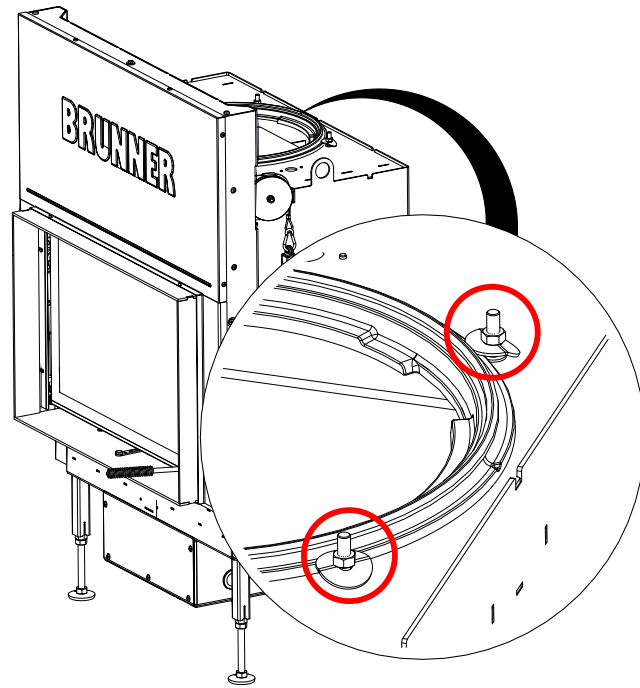


#### INFO

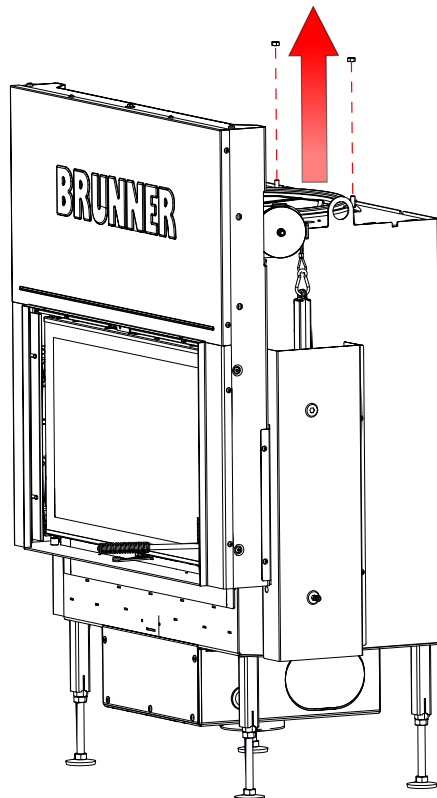
Assembly for complete set-up with heat protection panels. Depending on planning/needs, only carry out the specific work steps.

Workflow:

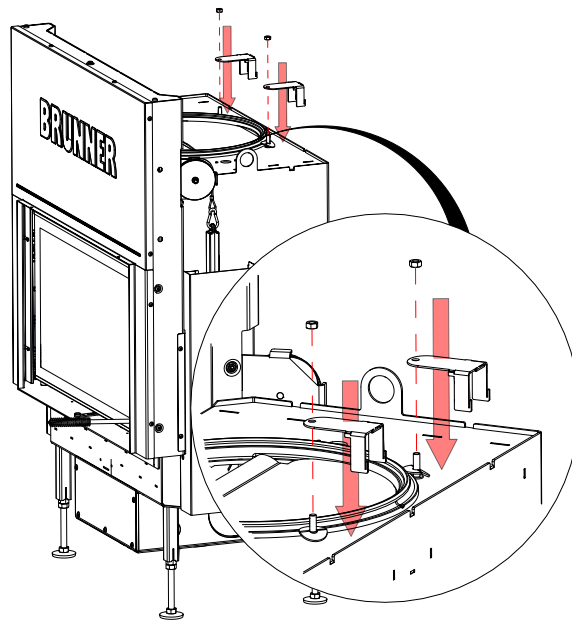
1



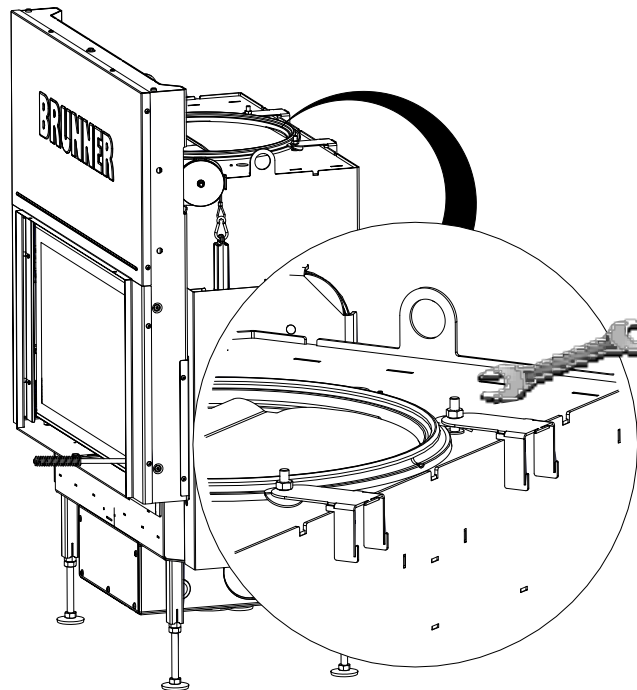
2

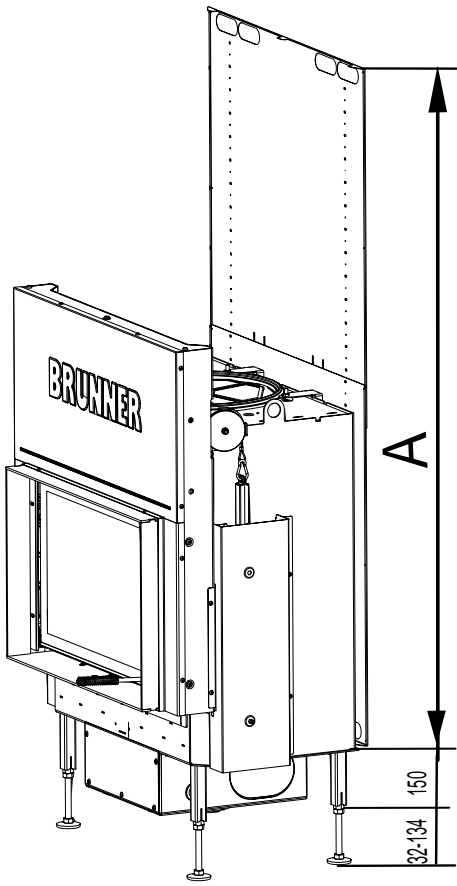


3

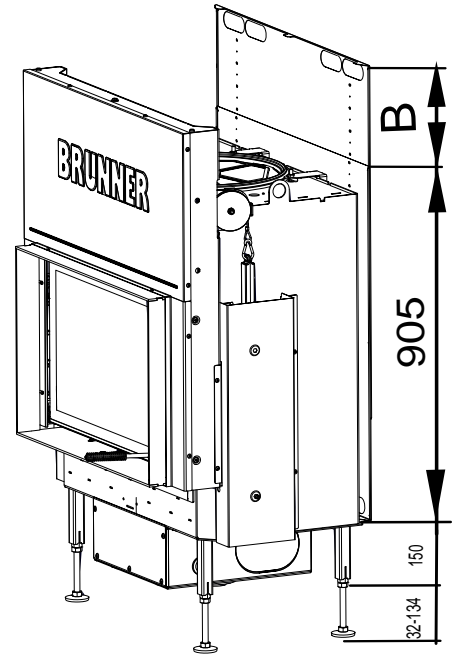


4





Variant **A** (A= max. 1665 mm)

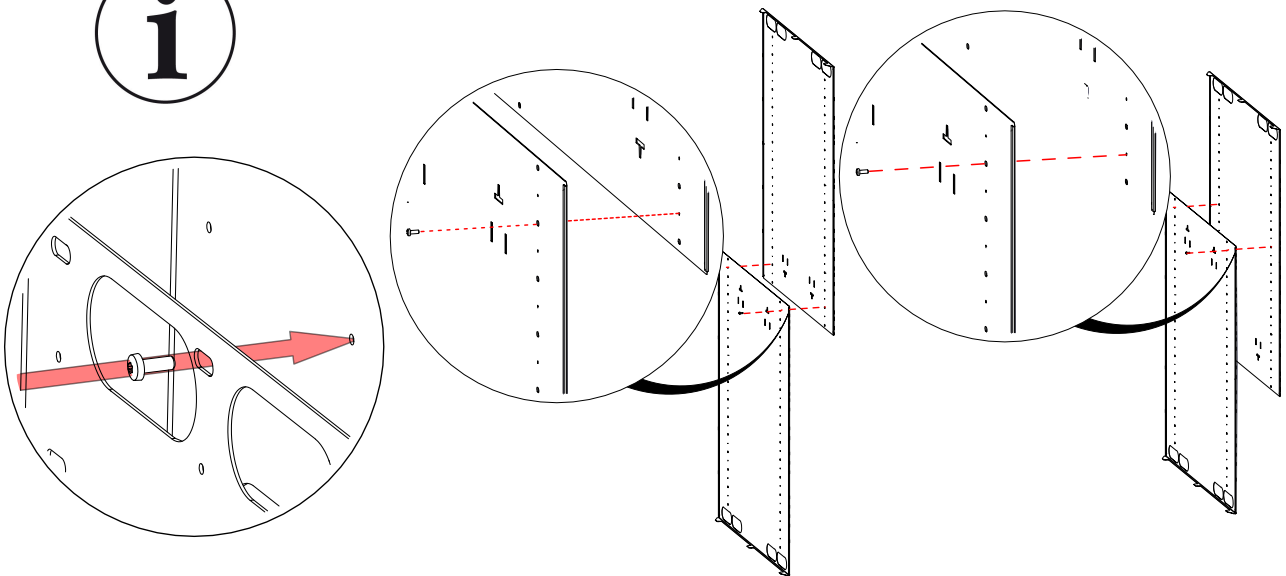


Variant **B** (B=min.760mm)

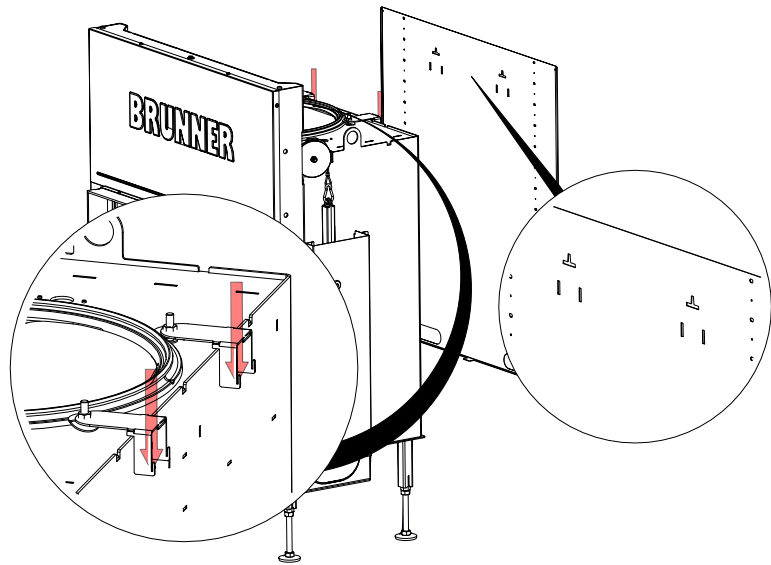


for variant A:

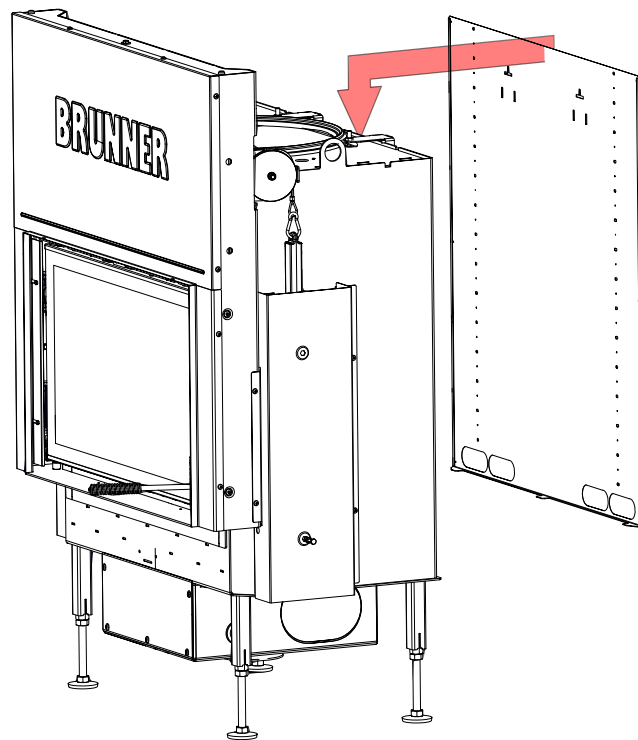
for variant B:



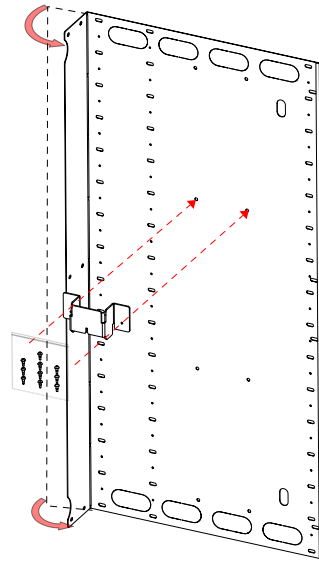
5



6



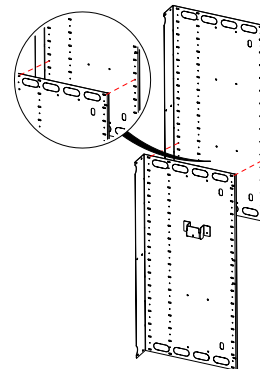
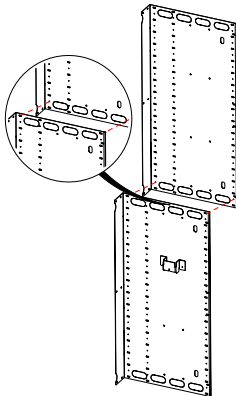
7



for variant A:

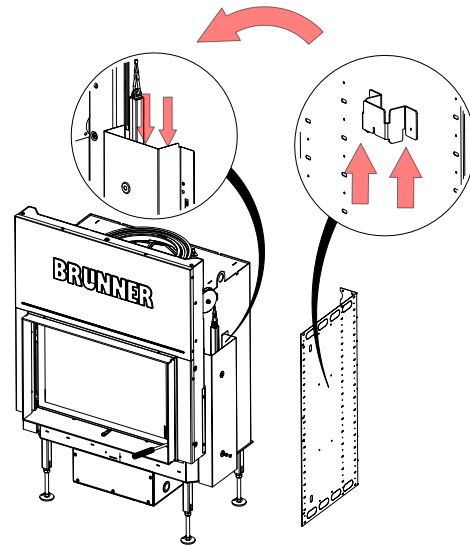
for variant B:

**i**

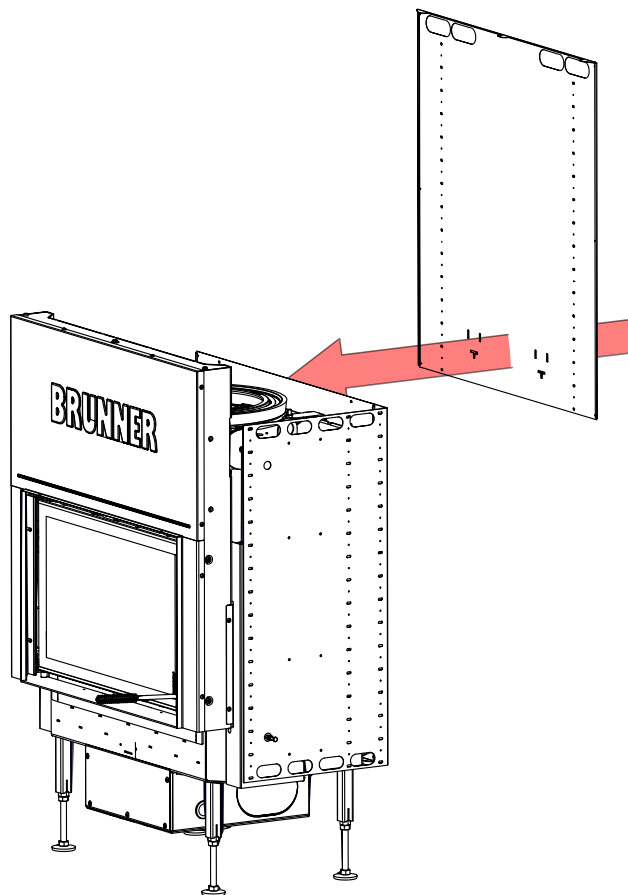




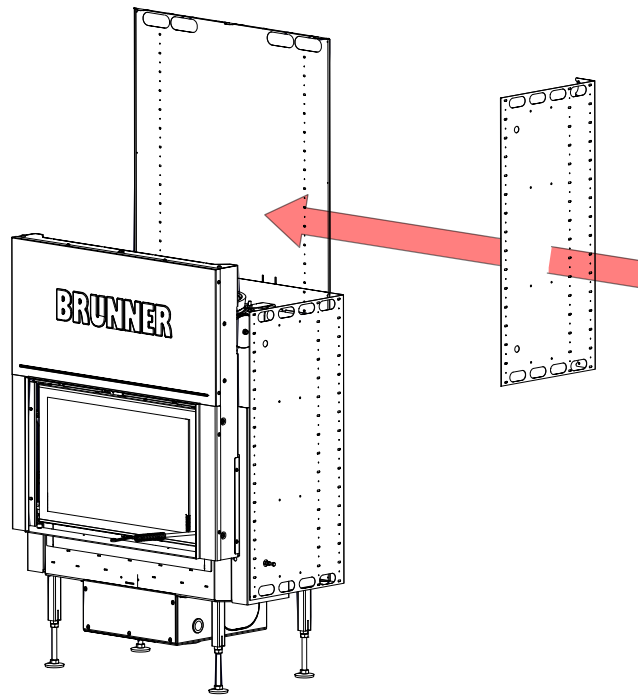
8



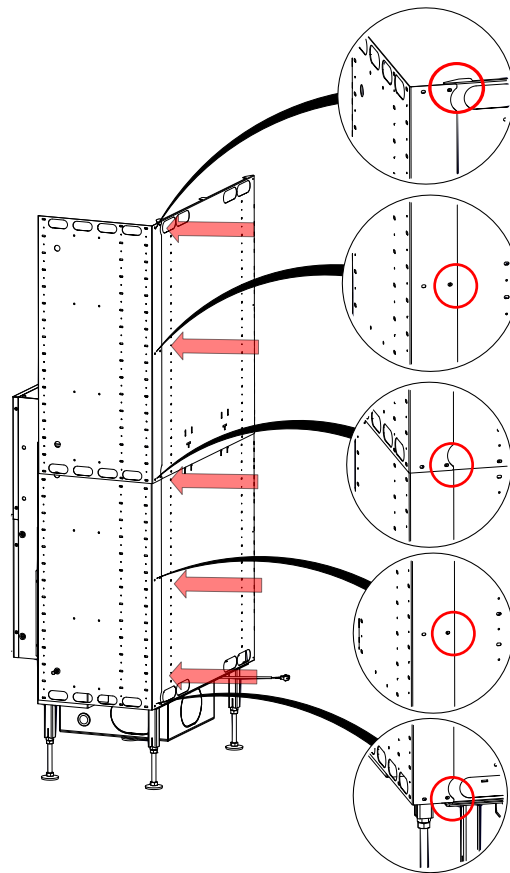
9

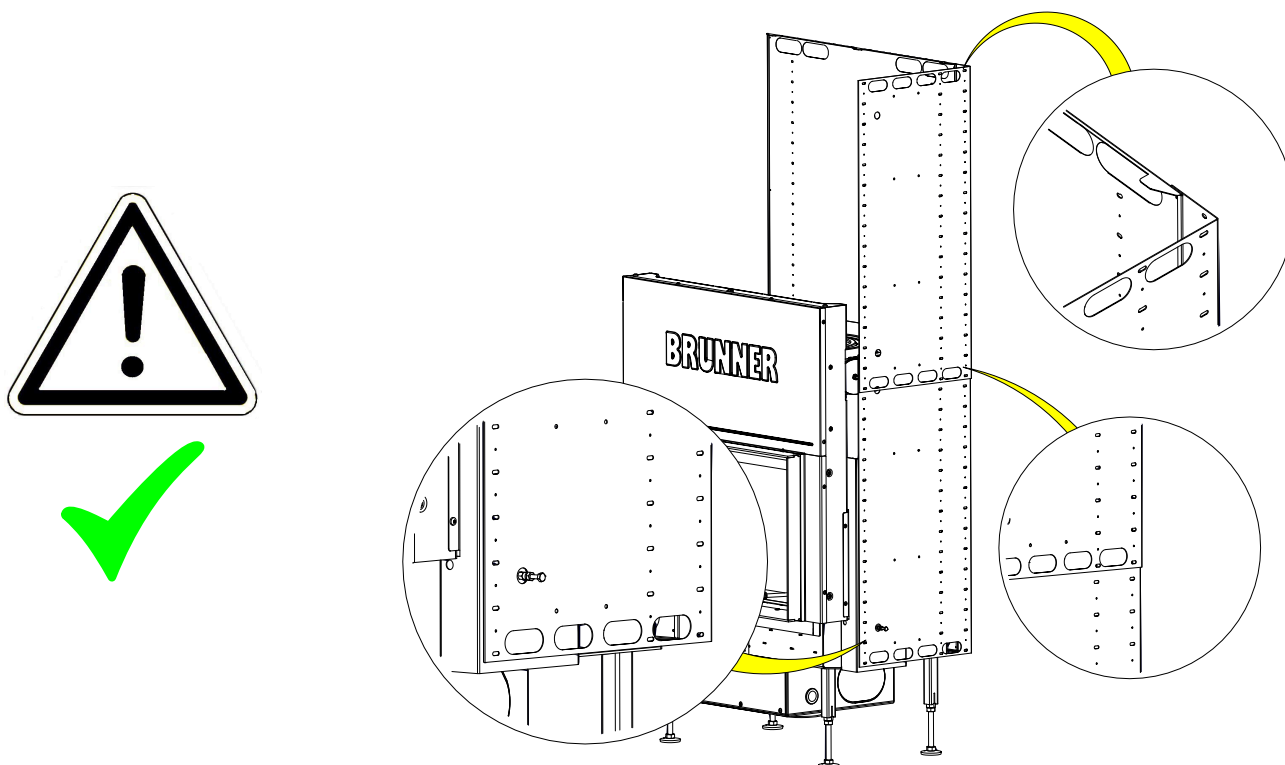


10



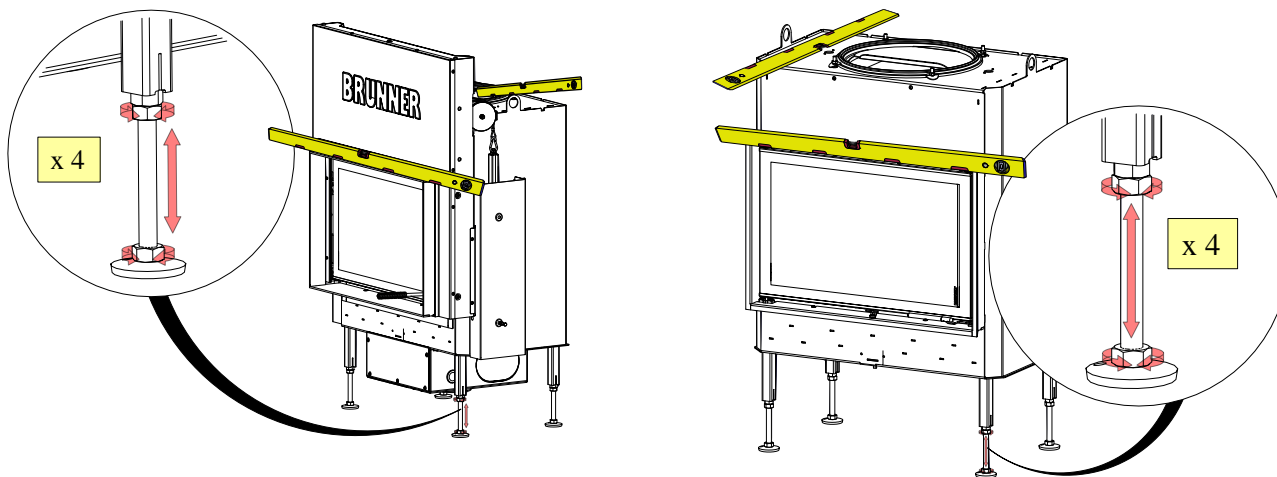
11





### 6.3 SET UP THE FIREPLACE

Summarised information:

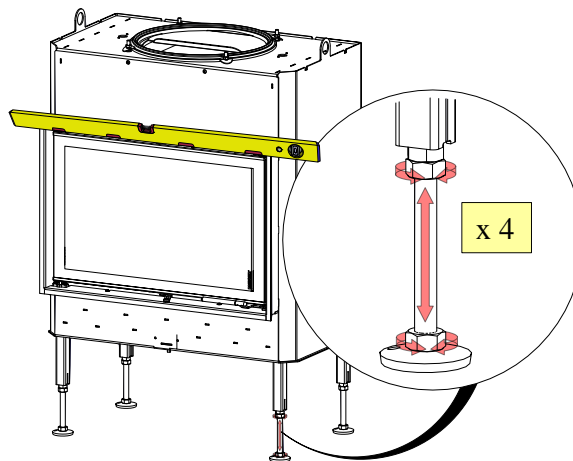


Version without outside air connection

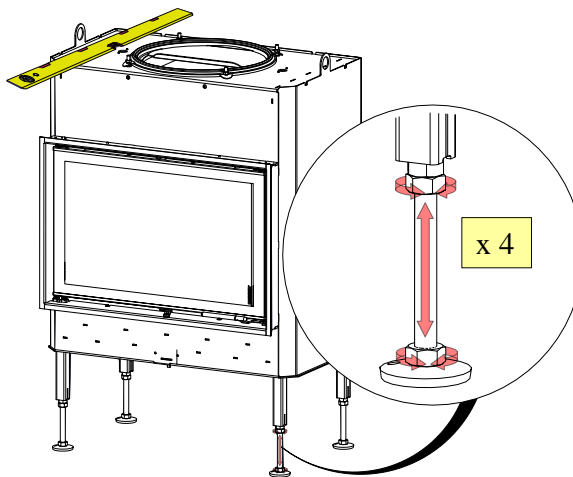


Workflow:

1



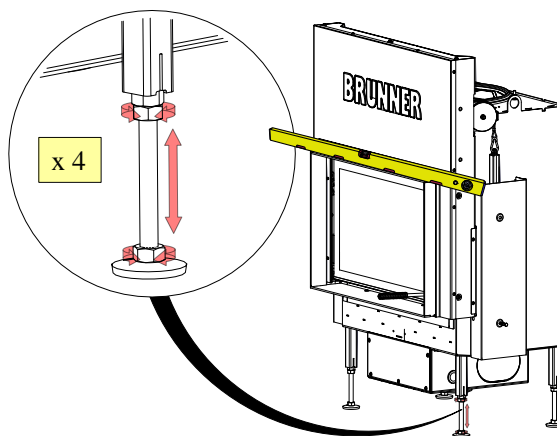
2

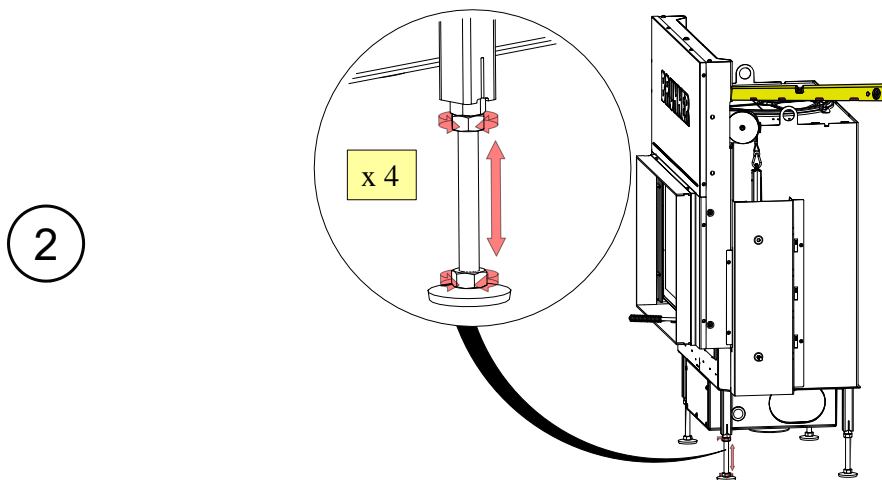


**BHK with lifting door** 

*Workflow:*

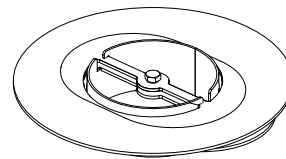
1





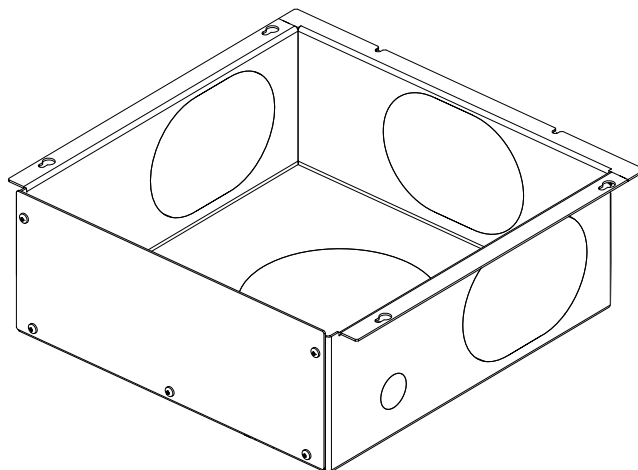
## 6.4 VARIANT WITH EXTERNAL COMBUSTION AIR CONNECTION

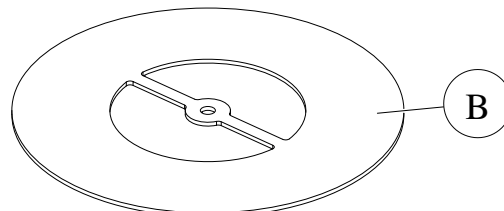
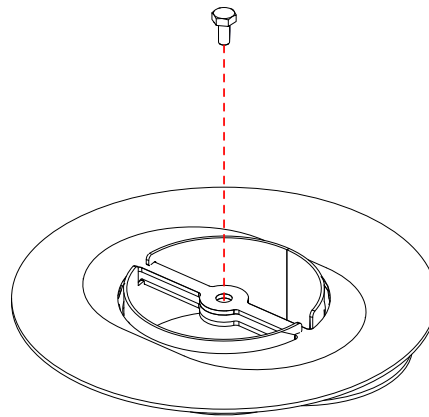
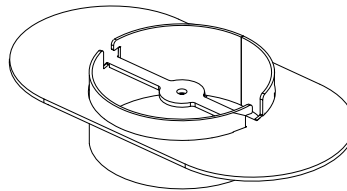
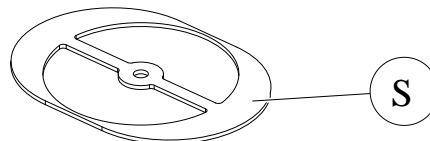
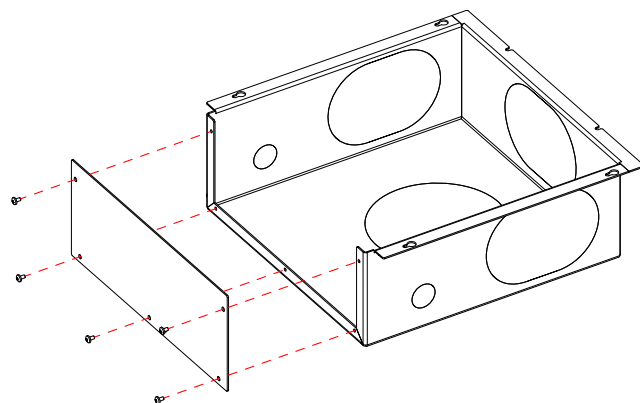
Preparatory work



Workflow:

1

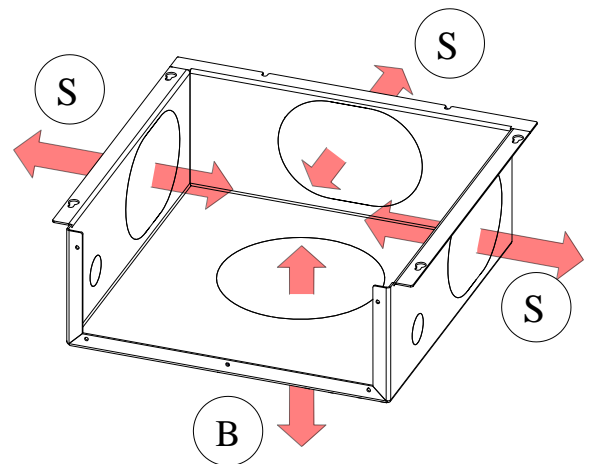


**2****3****4**

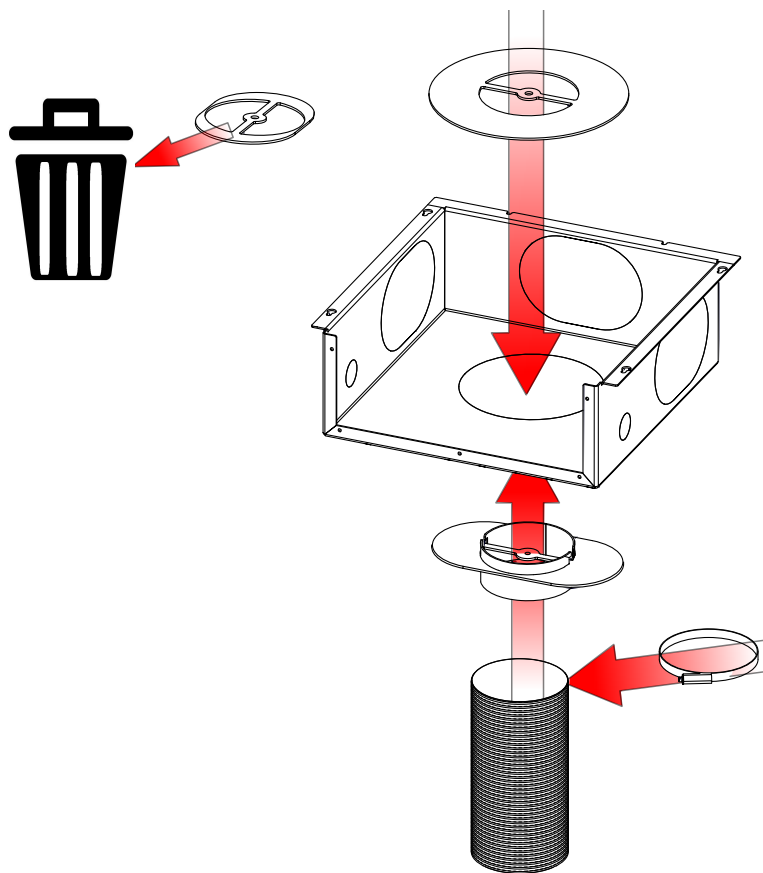
*Im. 2: Recommended for easier handling*

Depending on the planning, the air connection is possible - using aluxflex on 3 lateral parts (S) and also from the bottom (B).

Once you have made a decision, break out the appropriate part and make the connections for the air supply.



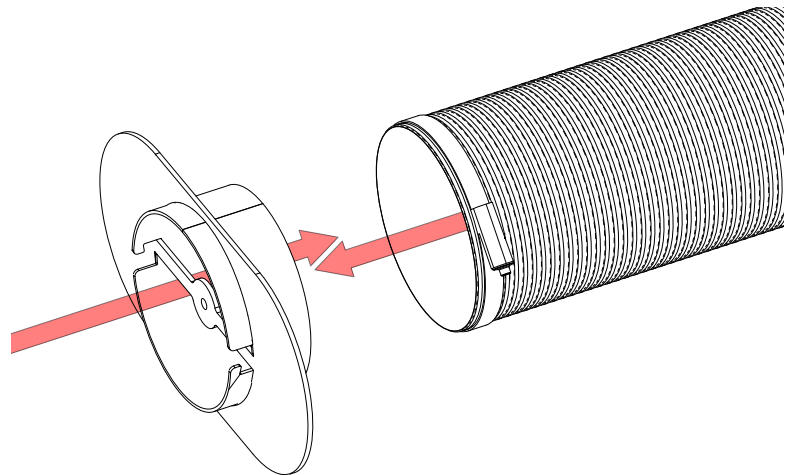
#### 6.4.1 BOTTOM CONNECTION (B)



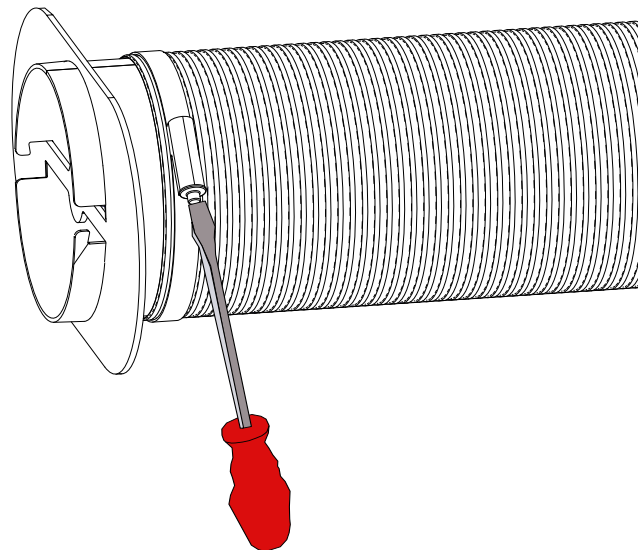
*Im. 3: Summarised information*

Workflow:

5

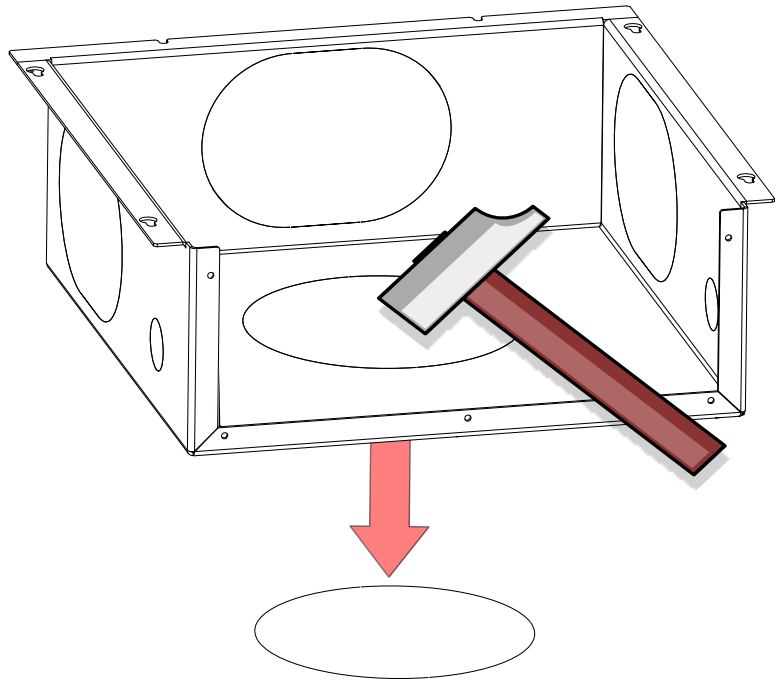


6

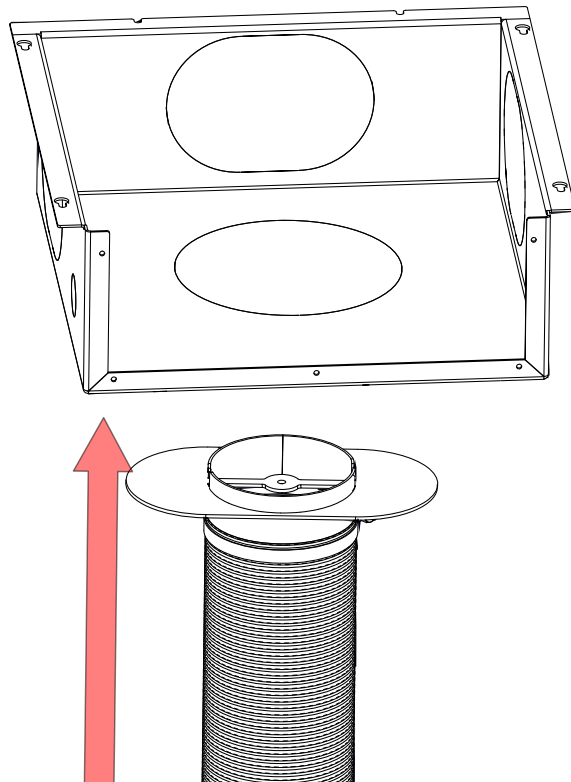




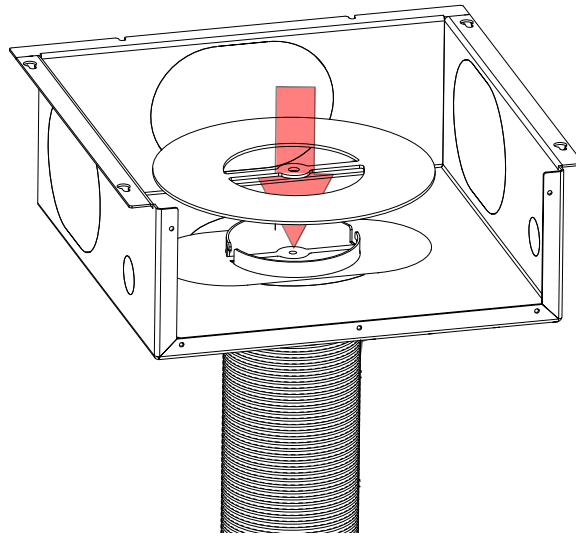
7



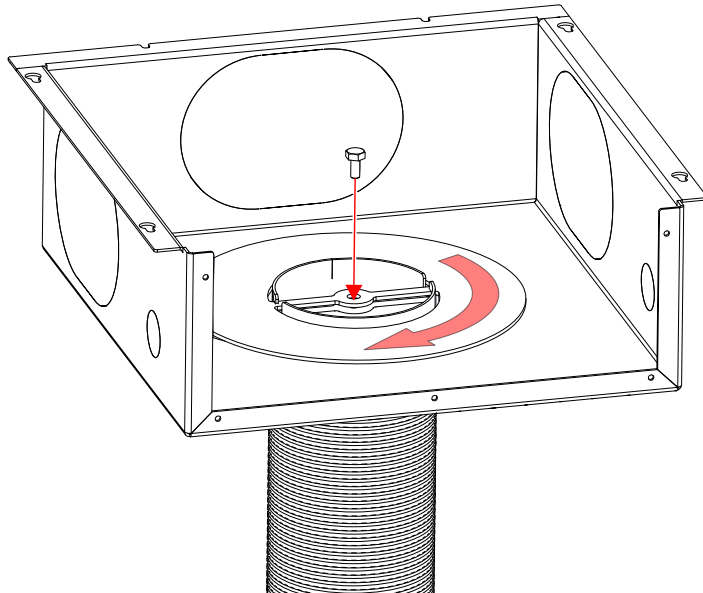
8

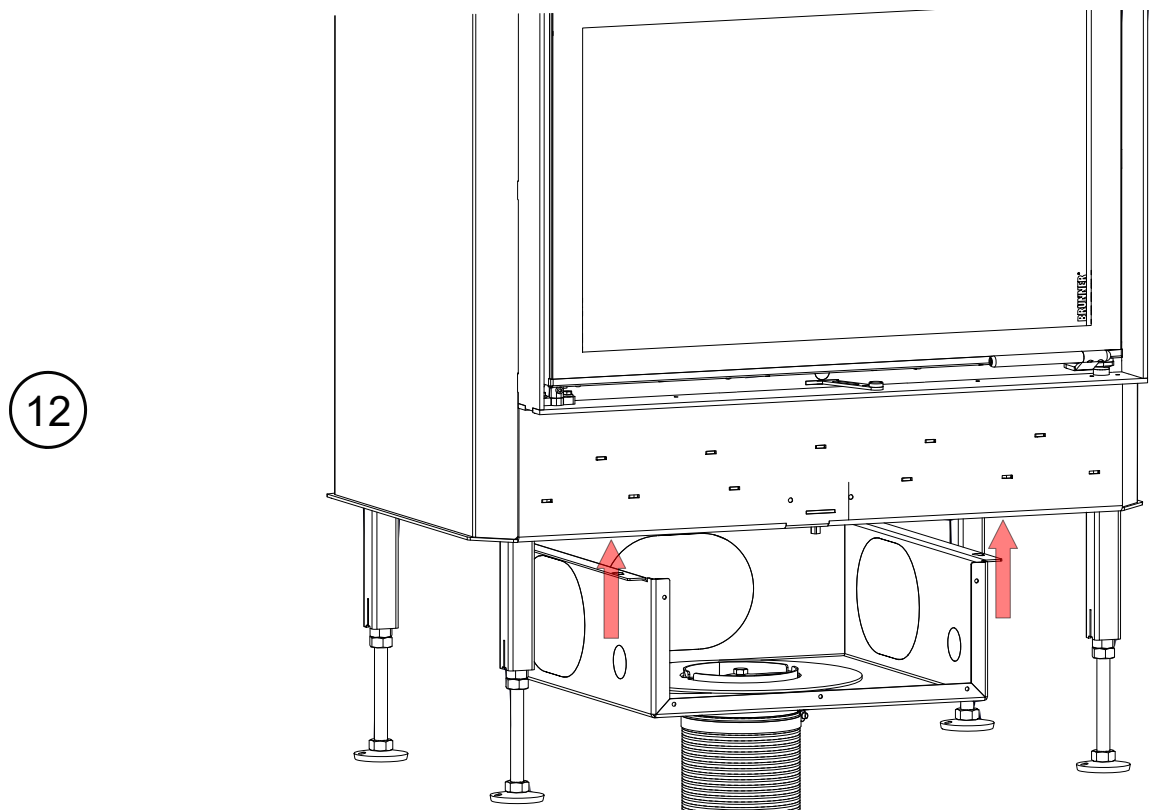
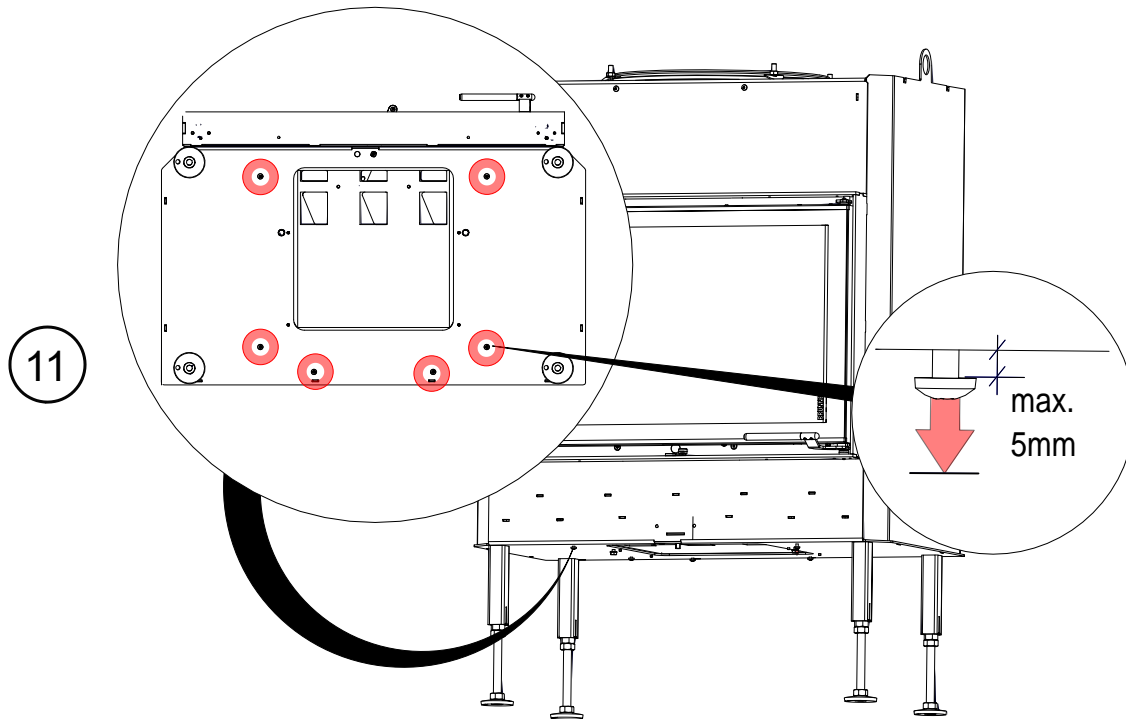


9

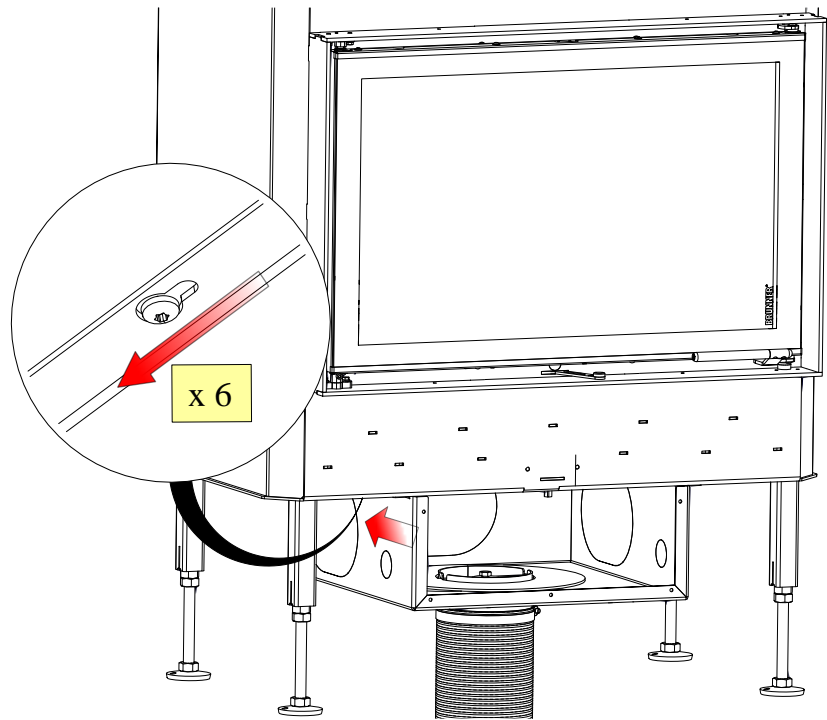


10

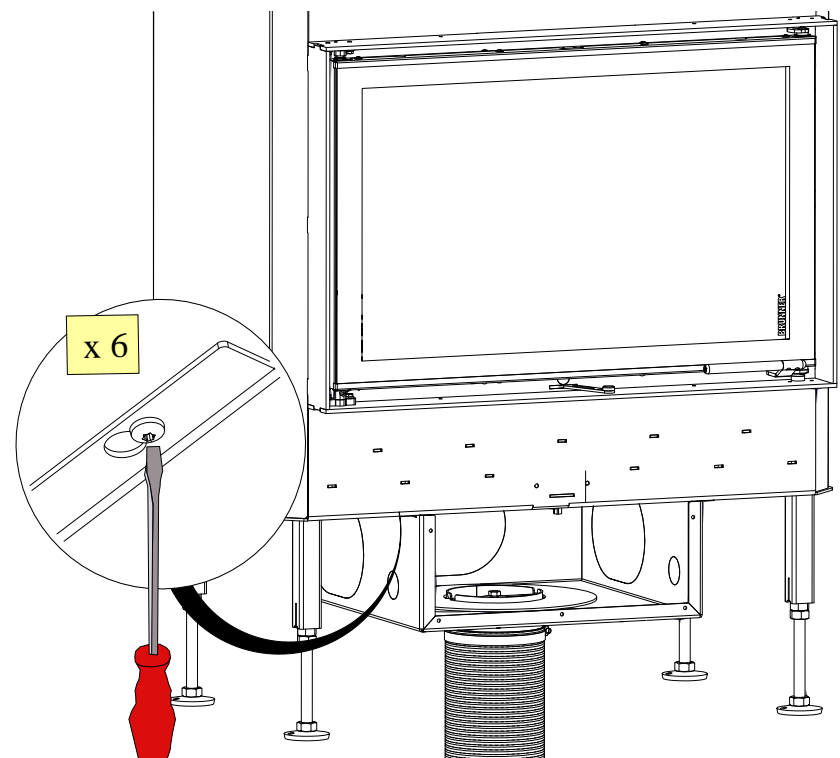




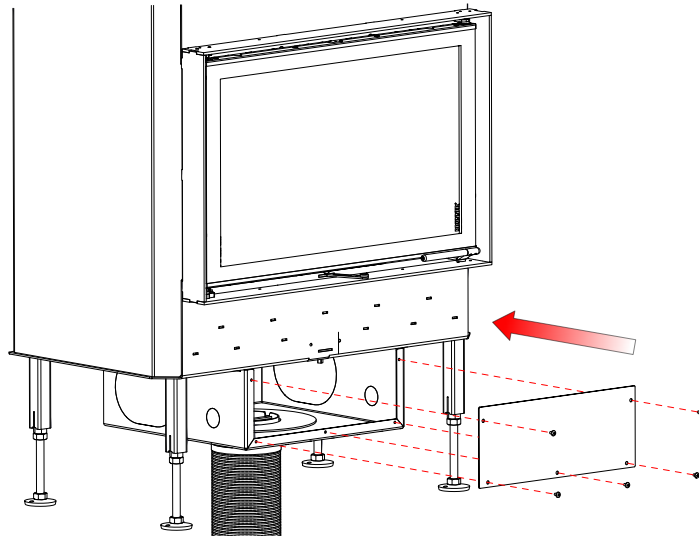
13



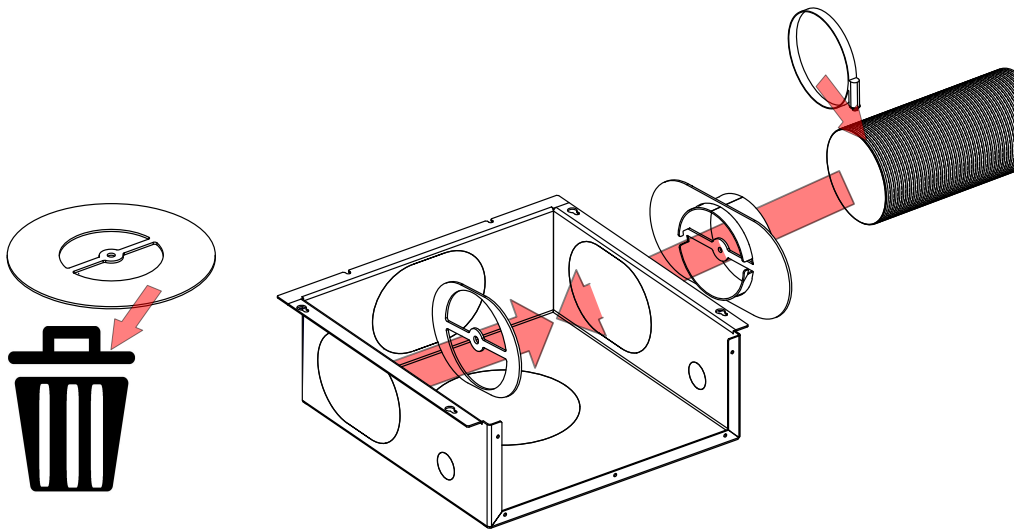
14



15



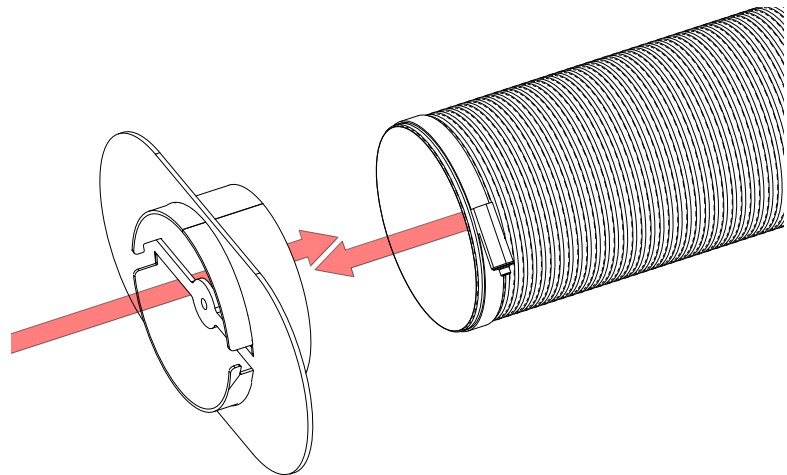
**6.4.2 SIDE CONNECTION (S)**



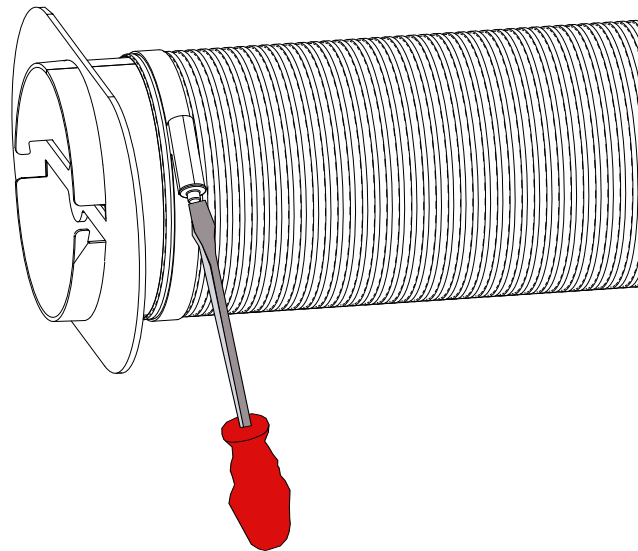
*Im. 4: Summarised information*

Workflow:

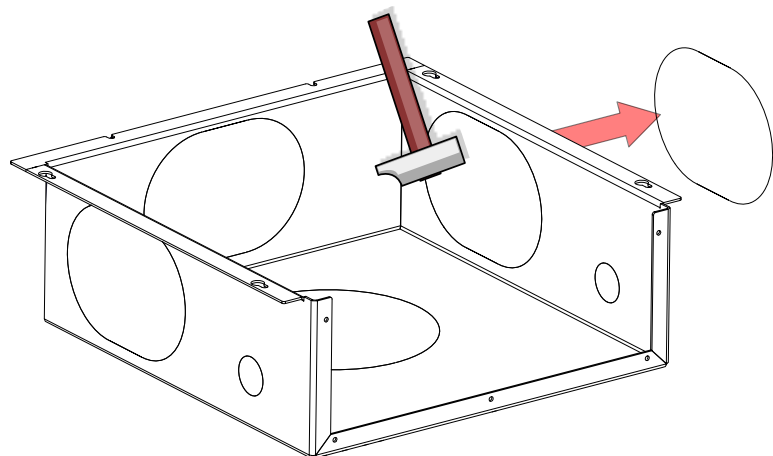
5



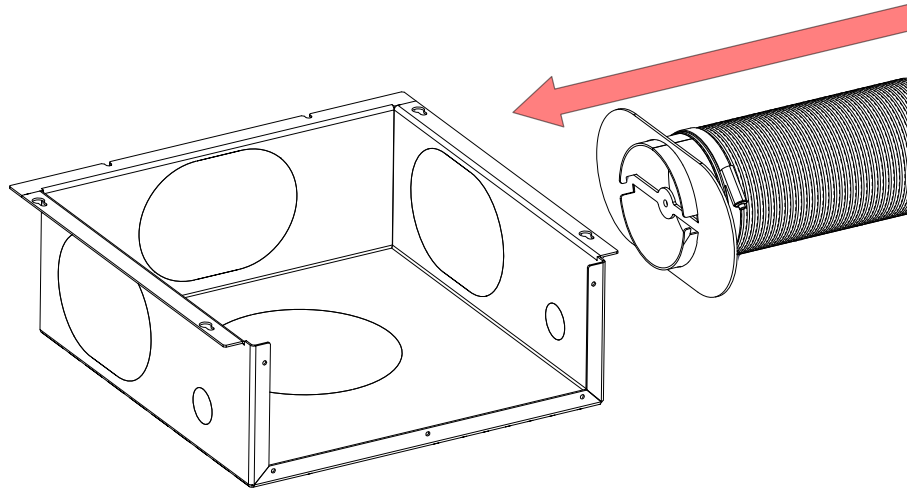
6



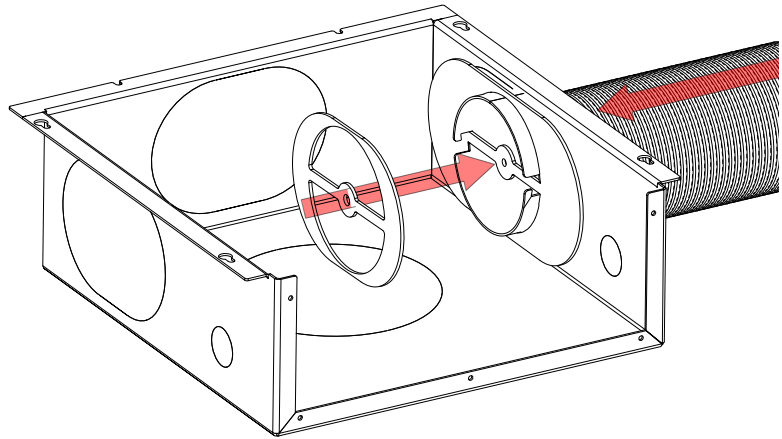
7



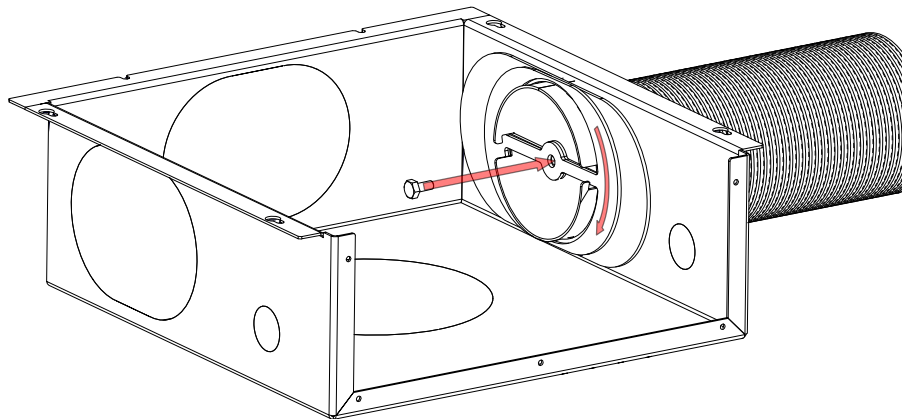
8

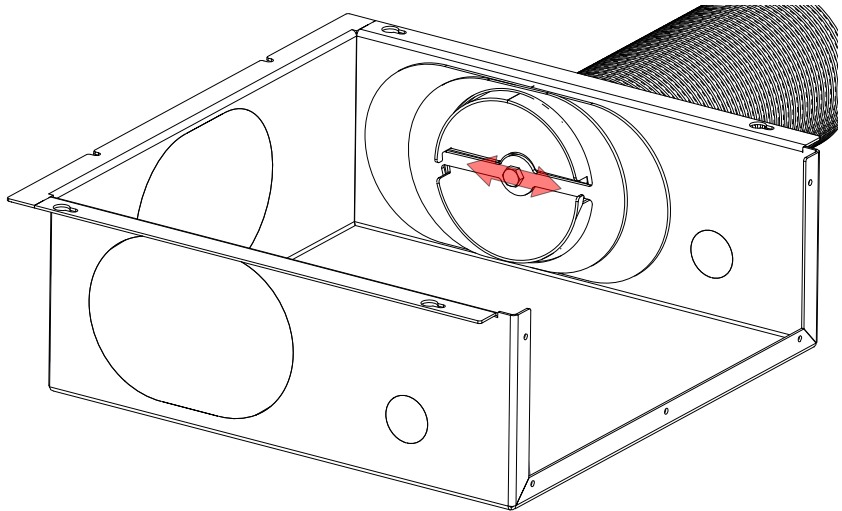


9

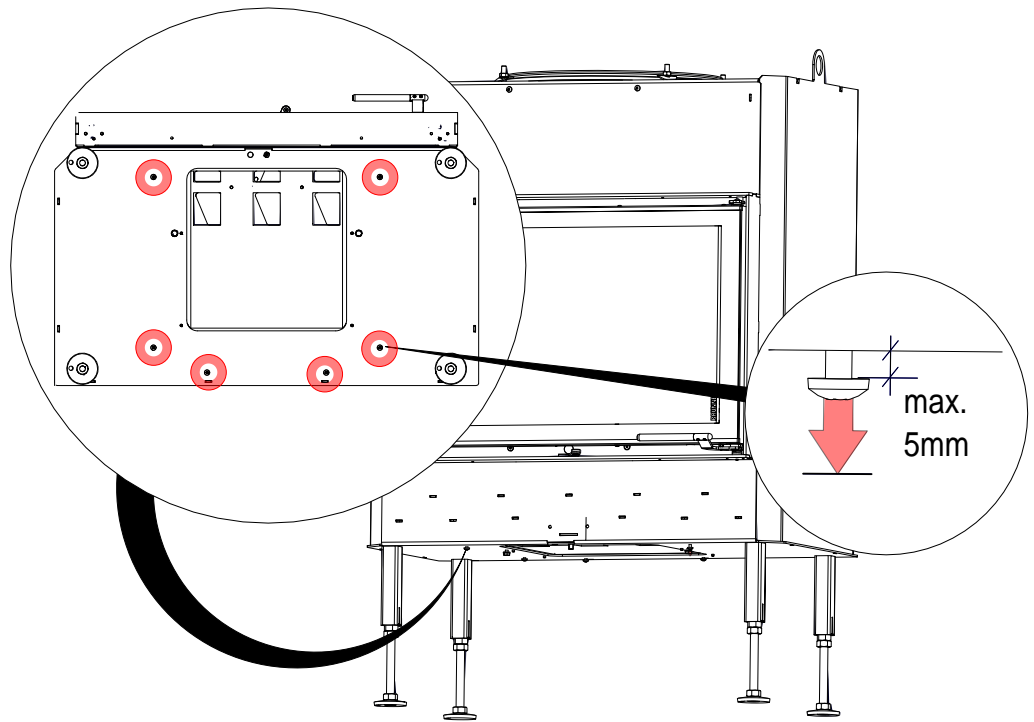


10



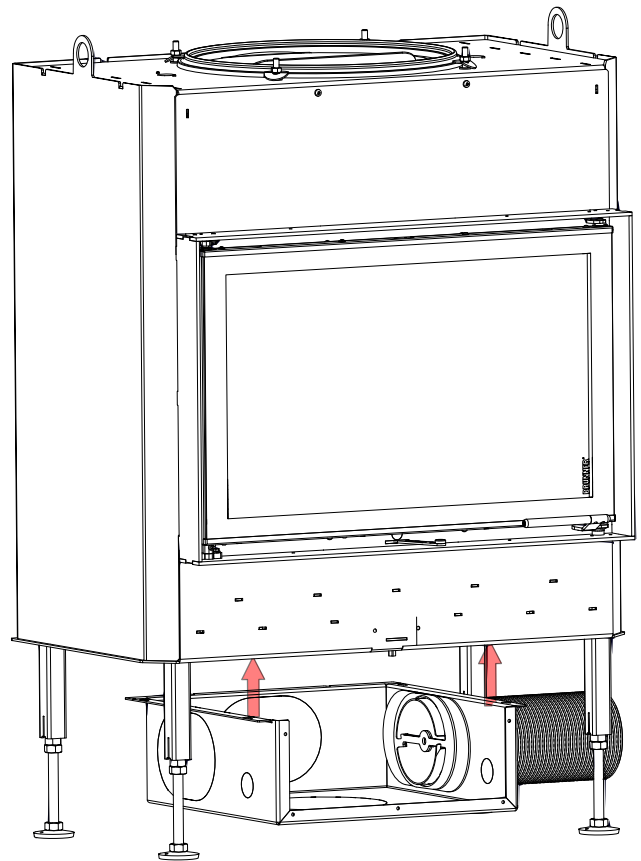


11

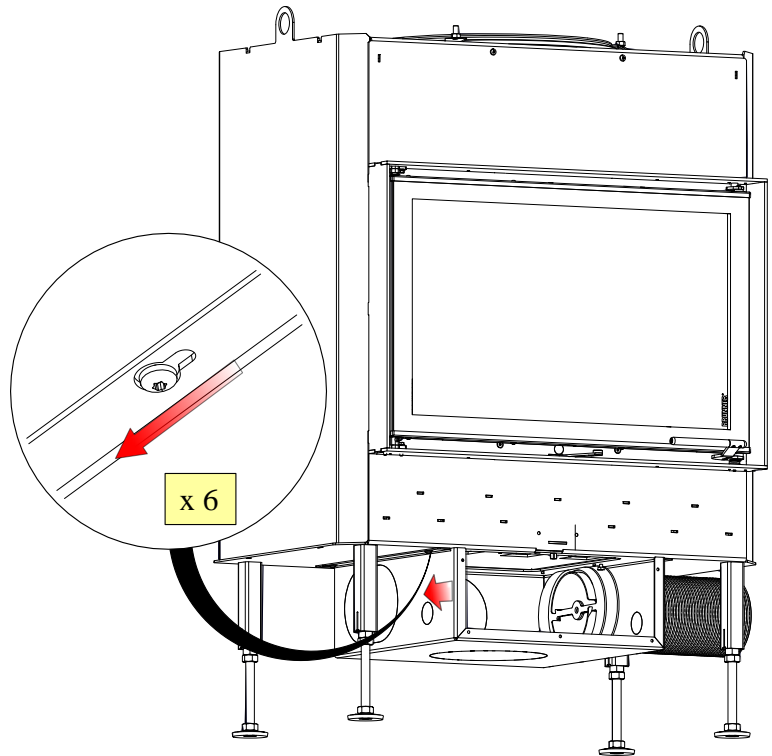




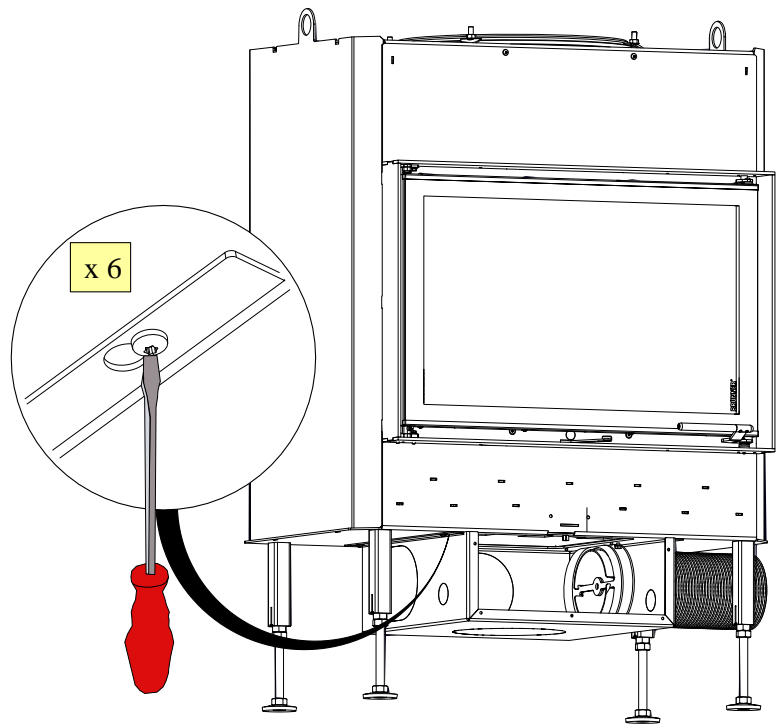
12



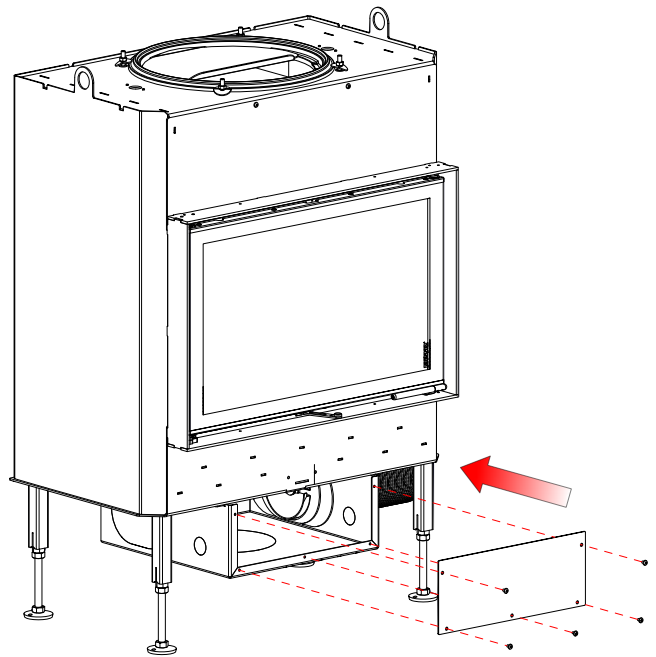
13



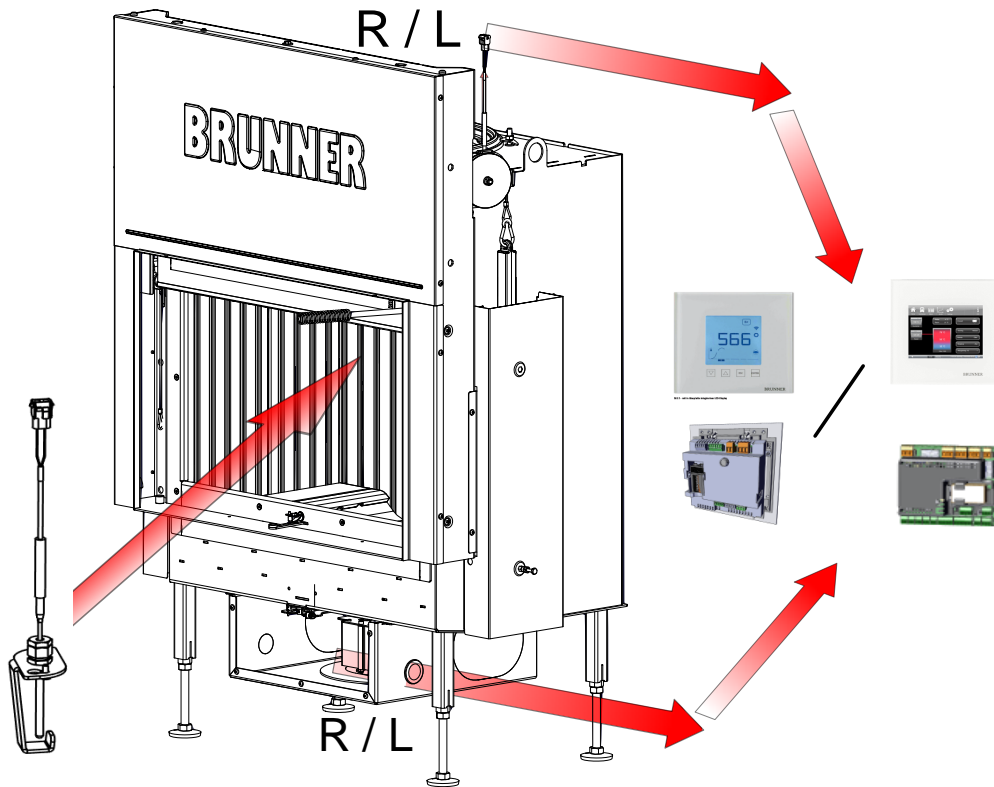
14



15



## 6.5 VARIANT WITH EAS OR EOS



Im. 5: Summarised information



### Software version:

**EOS 8** - version > V1.35

**EAS 3** - version > V3.24

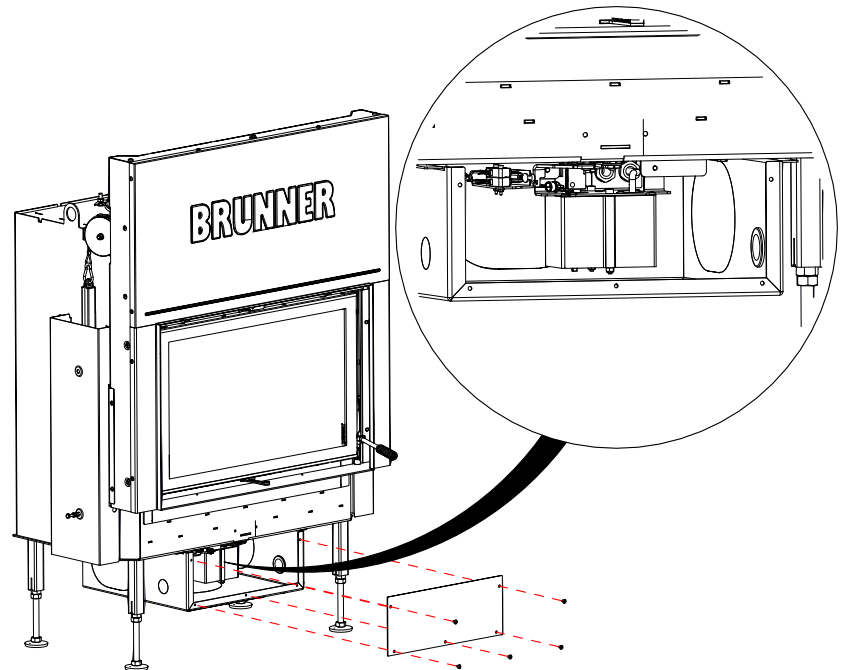


### CAUTION! risk of crushing

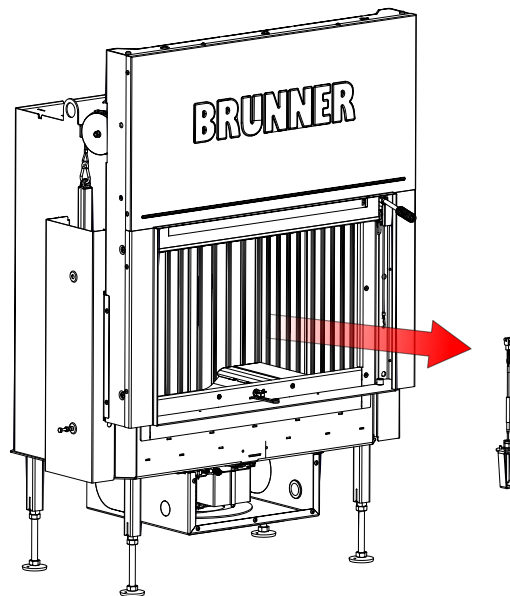
When working on the flap, on the turntable or sliding plate for supply / exhaust air regulation, as well as on their mechanics, the control unit (EAS / EOS) must be disconnected from the supply voltage (230VAC) before starting work. Wait until the drive has been fully powered up via the battery of the control unit (maximum running time 2 minutes).

Workflow:

1



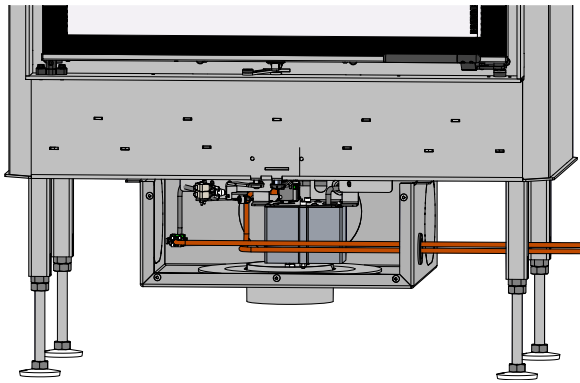
2



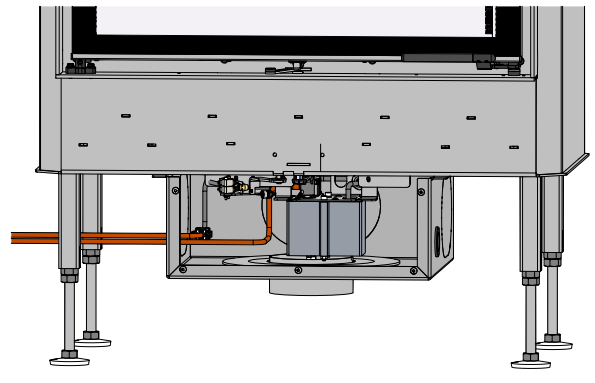
Make the electrical connection

Variants:

cable routing right side or left side

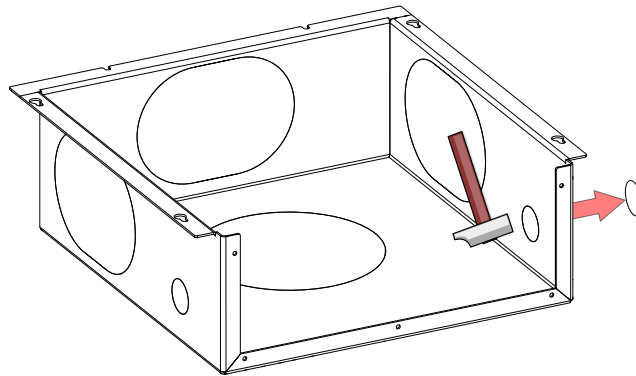


Im. 6: cable routing right side

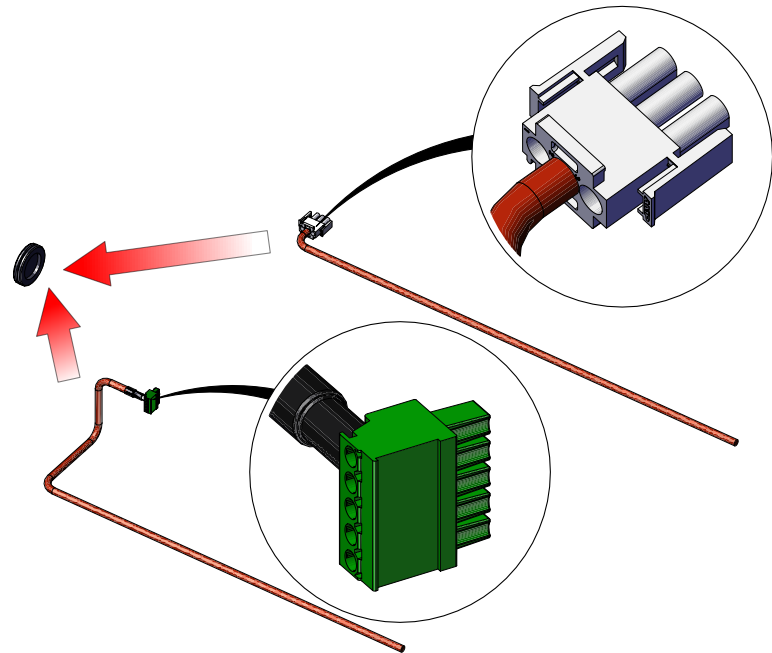


Im. 7: cable routing left side

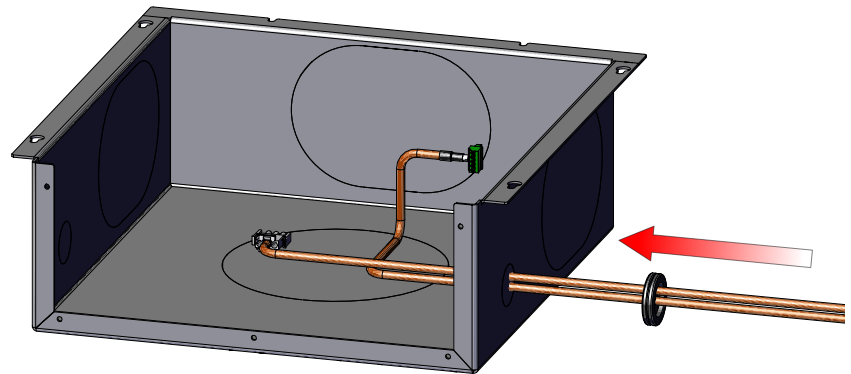
3



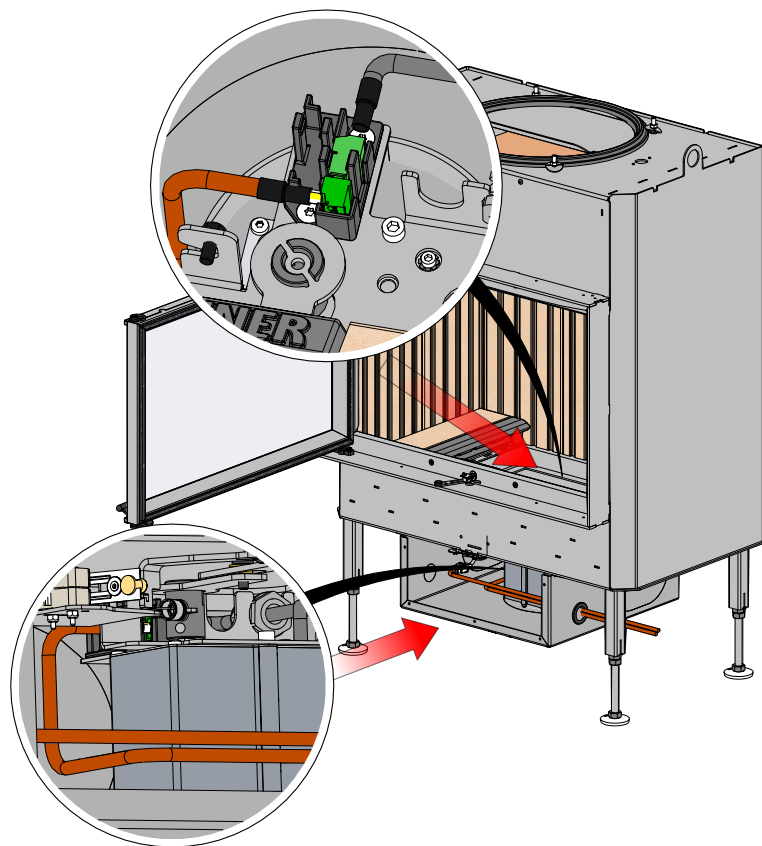
4

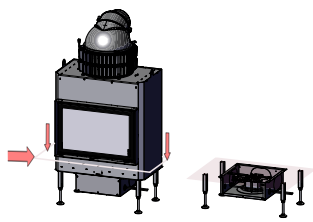


5

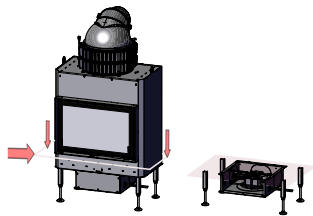
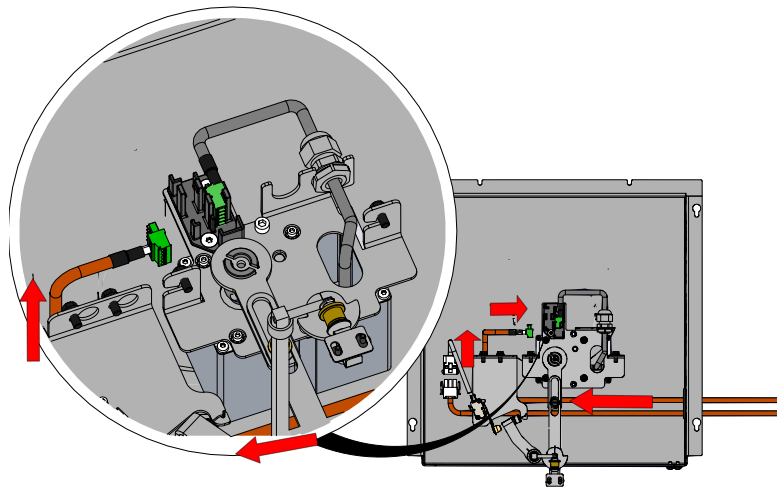


INFO: Access

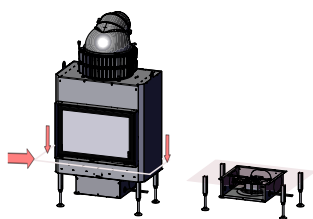
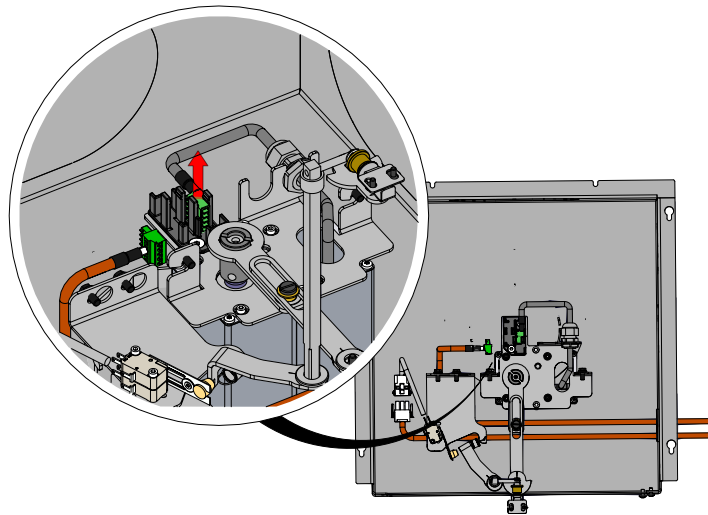




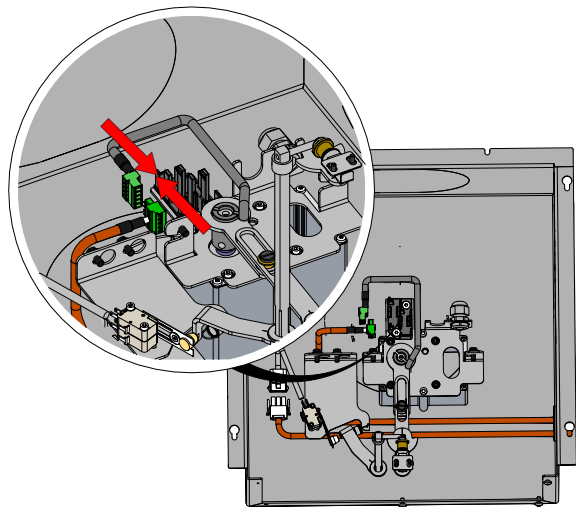
6



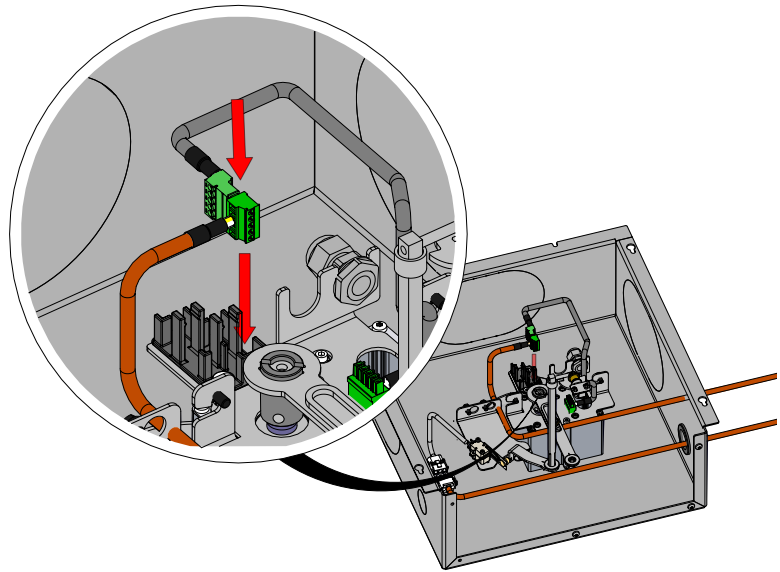
7



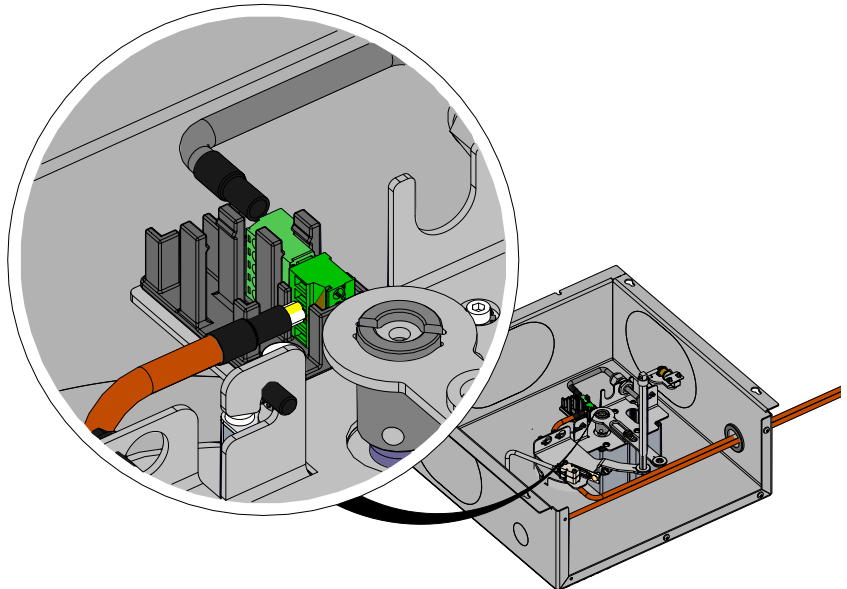
8



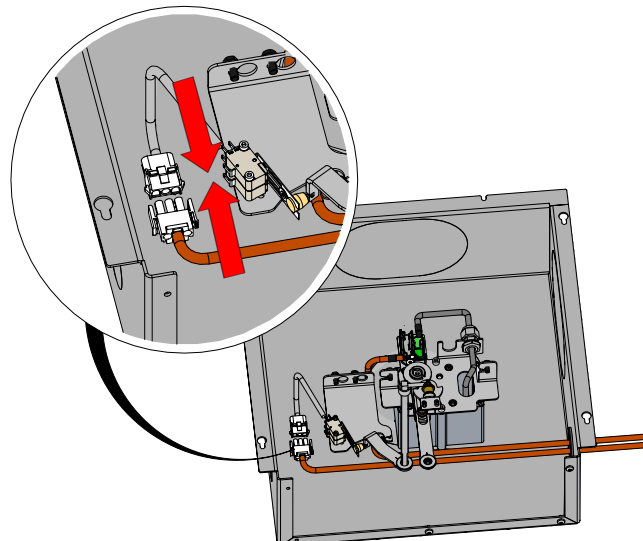
9



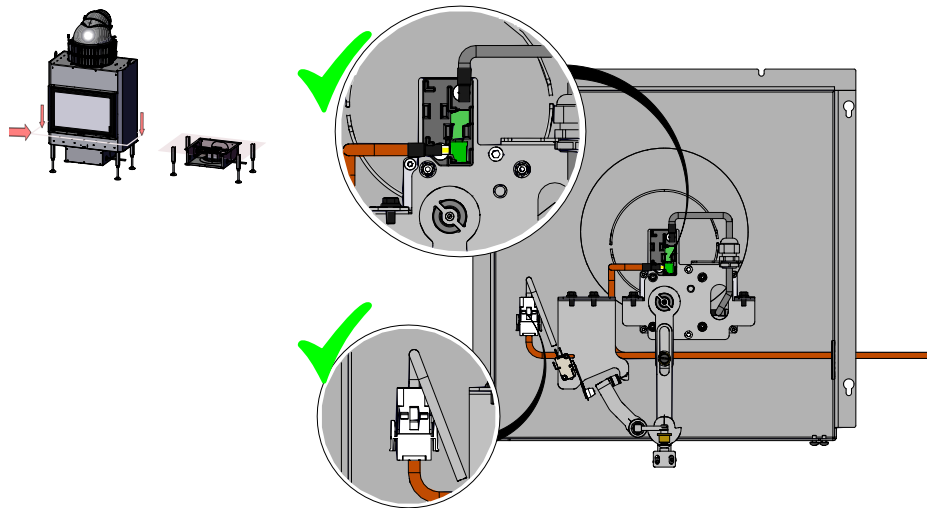
10



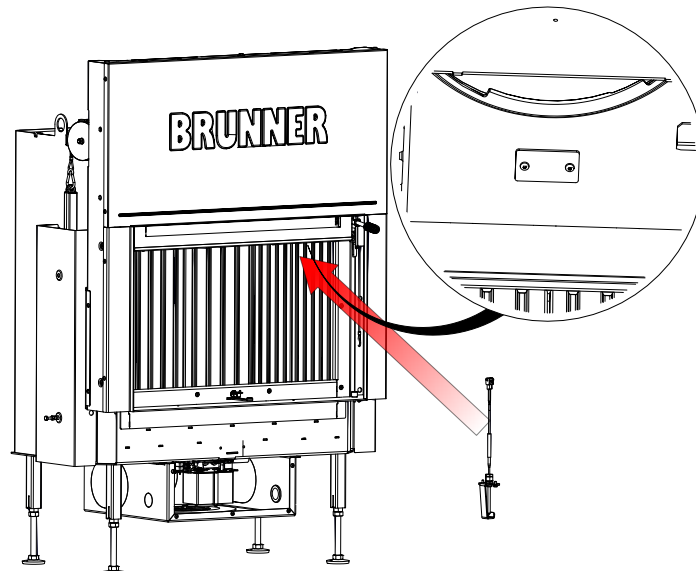
11







12

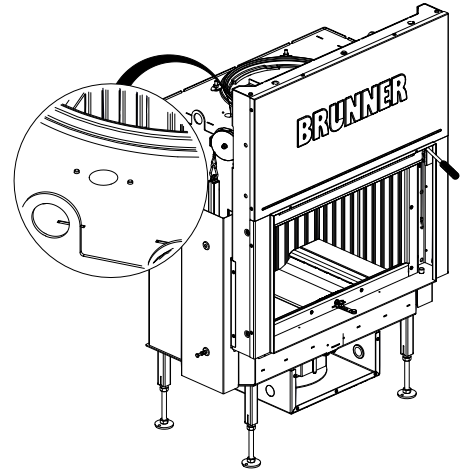
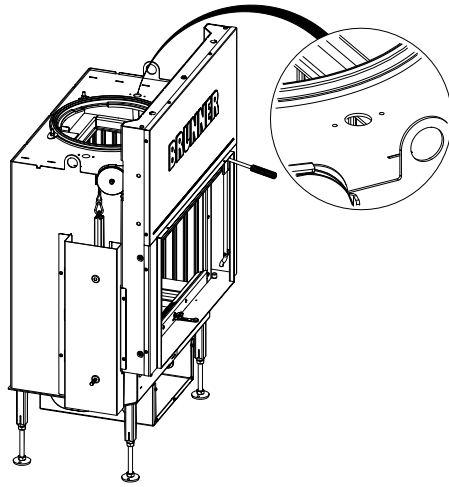


Variants cable routing - Thermocouple: right side or left side

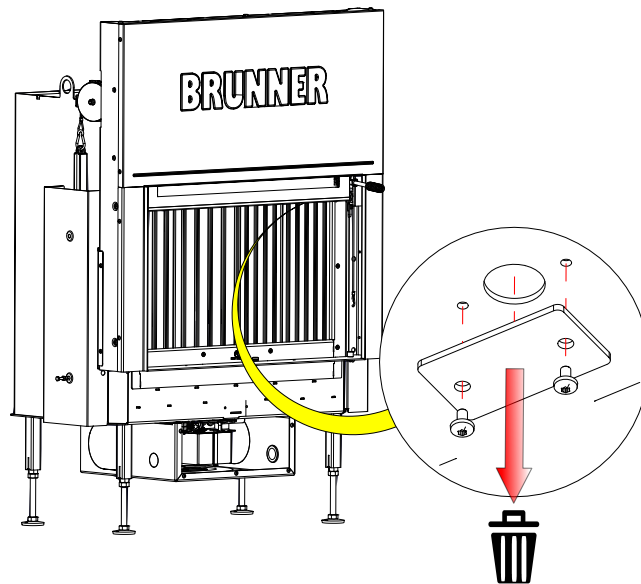
right side:

left side:

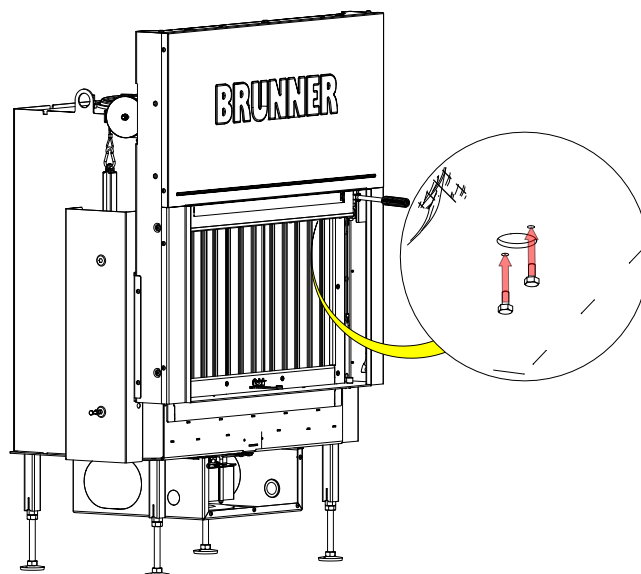
**i**



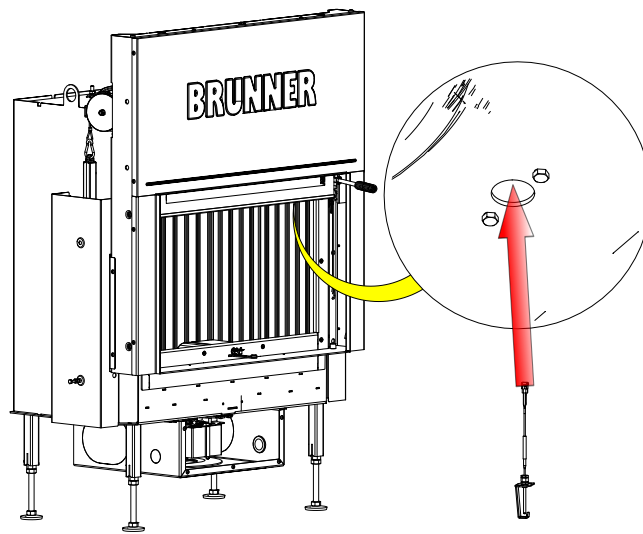
**13**



**14**

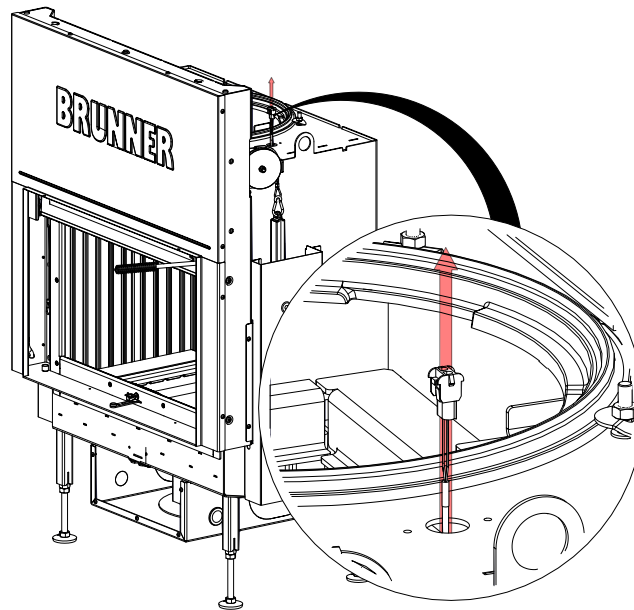


15

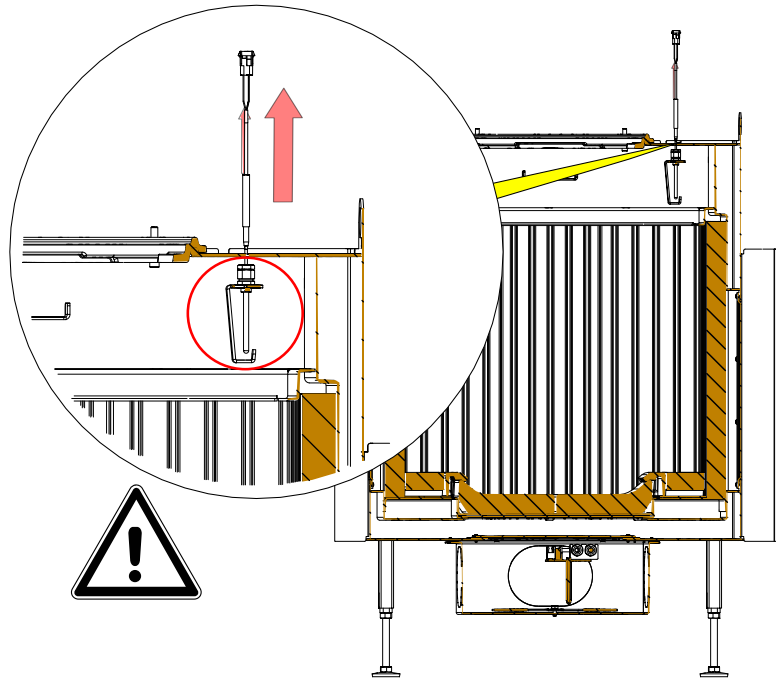
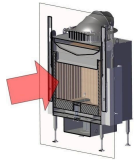


**i** Do not overtighten the screws!

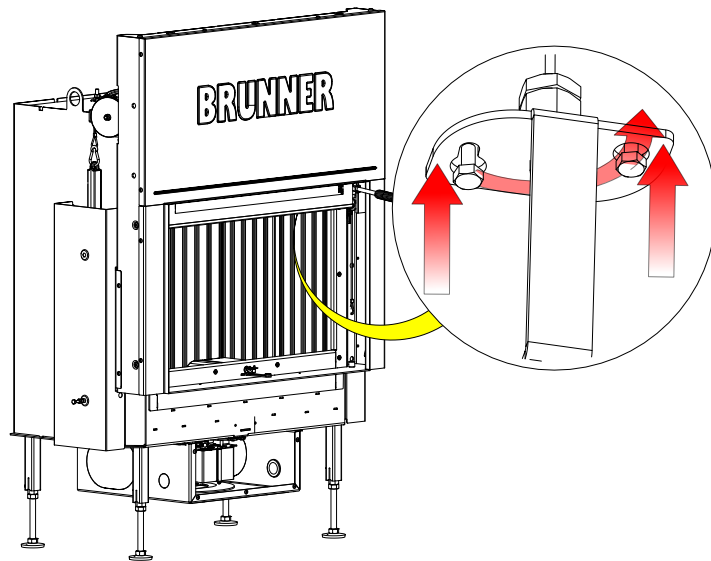
16



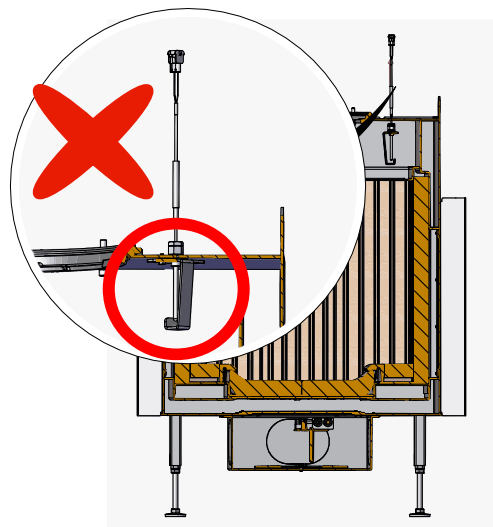
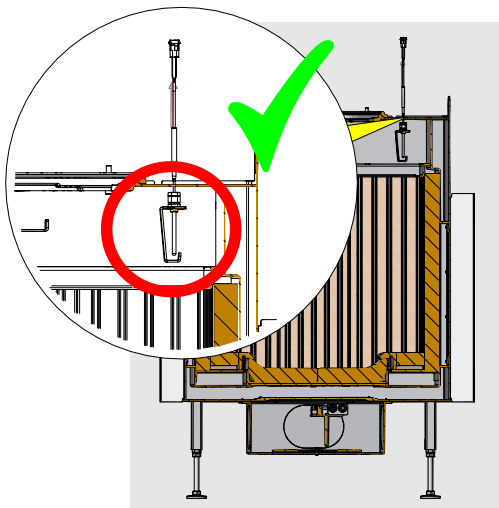
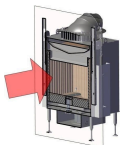
17



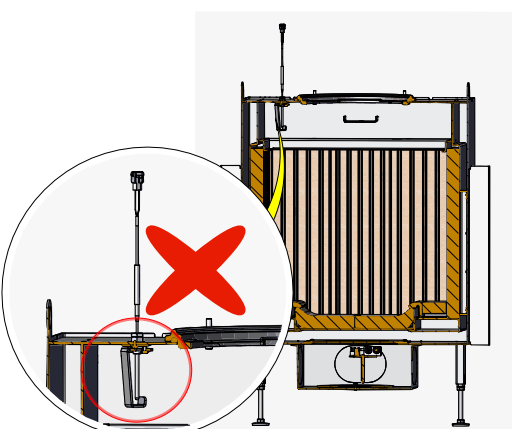
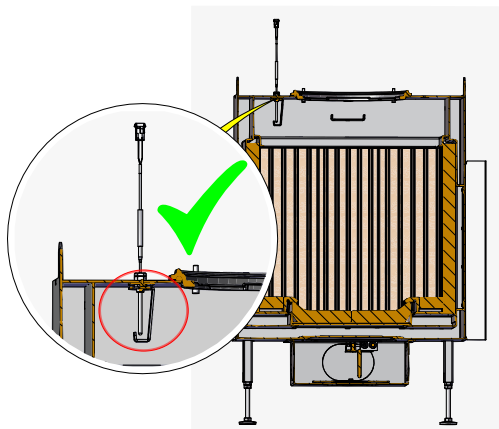
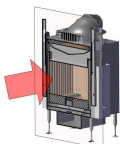
18



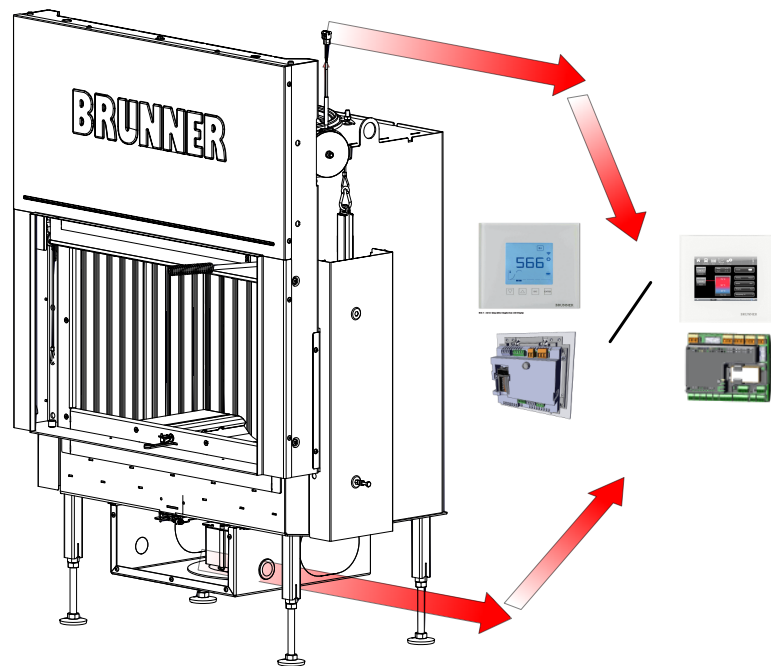
**Variant: Ther-  
mocouple  
right side**



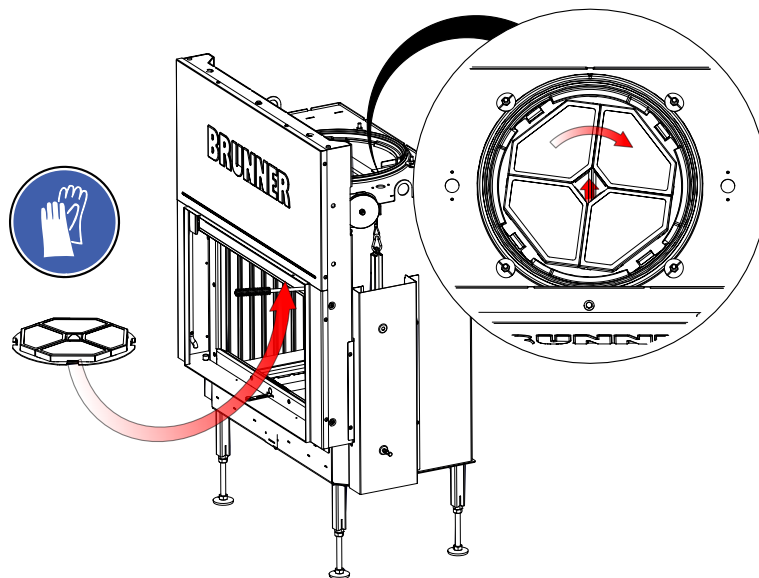
**Variant: Ther-  
mocouple  
left side**



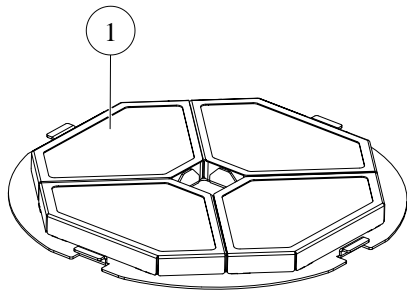
19



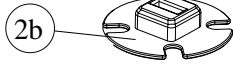
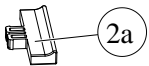
## 7 FITTING: CATALYTIC CONVERTER



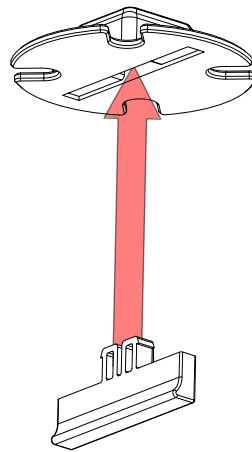
*Im. 8: Summarised information*

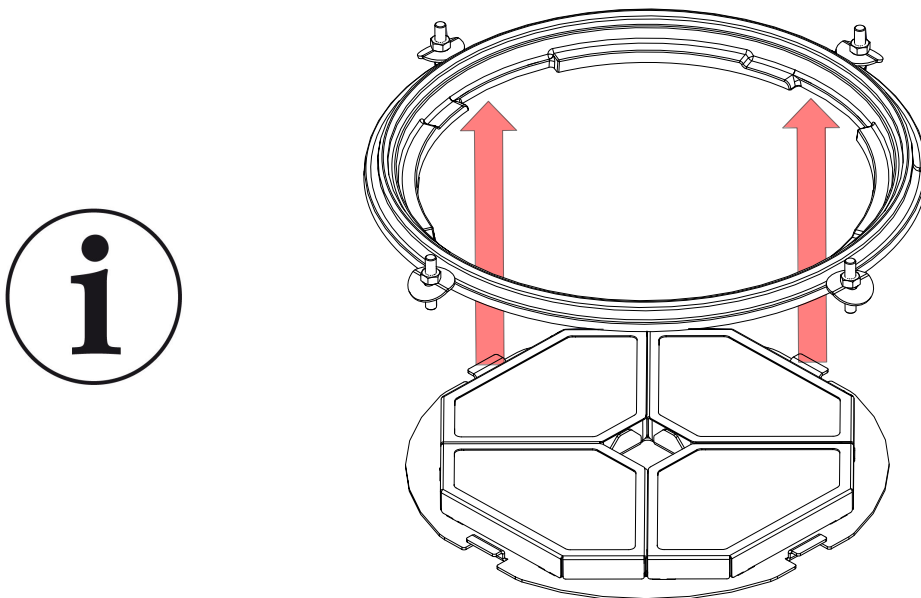
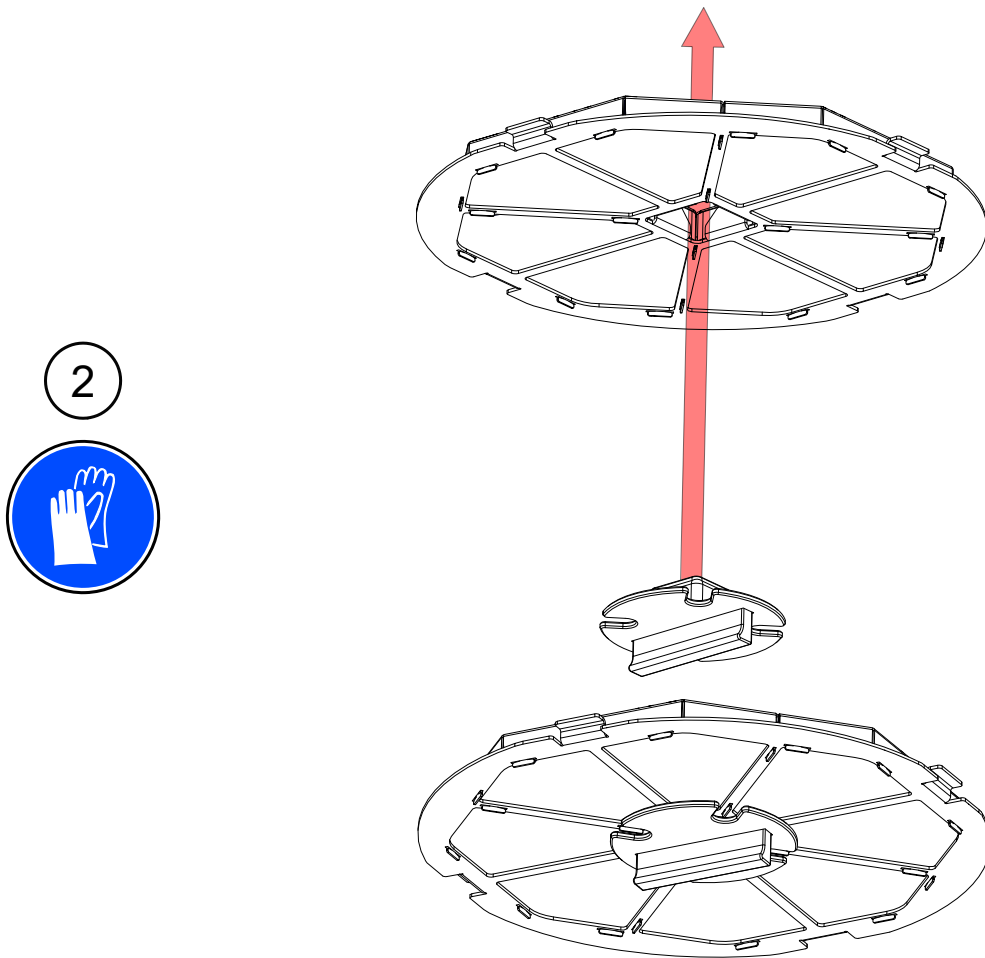


1	catalytic converter
2a+2b	assembly tool



*Workflow:*

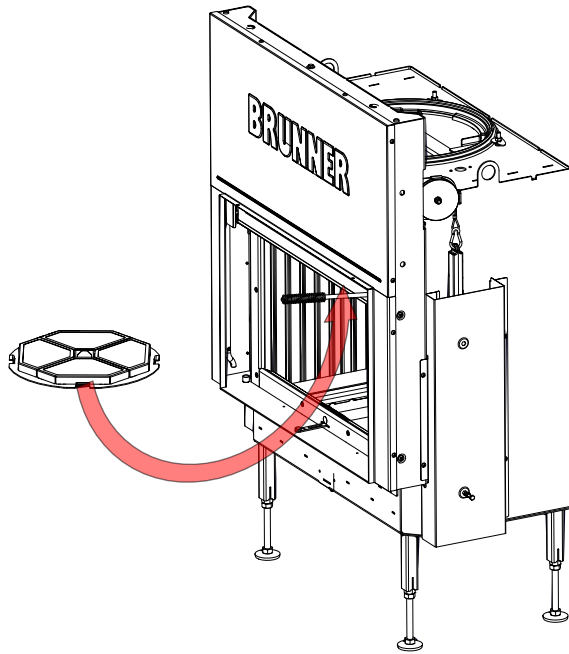




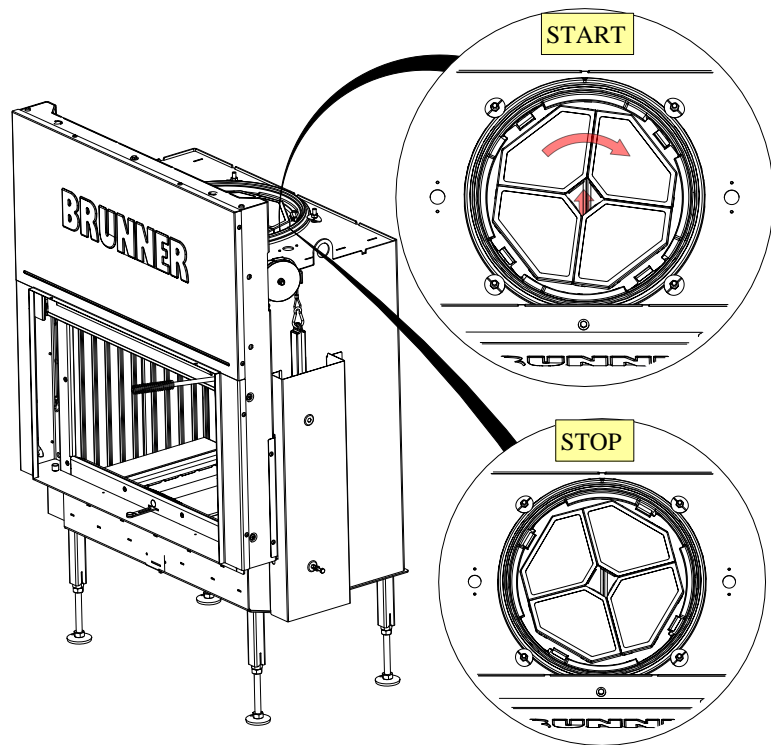


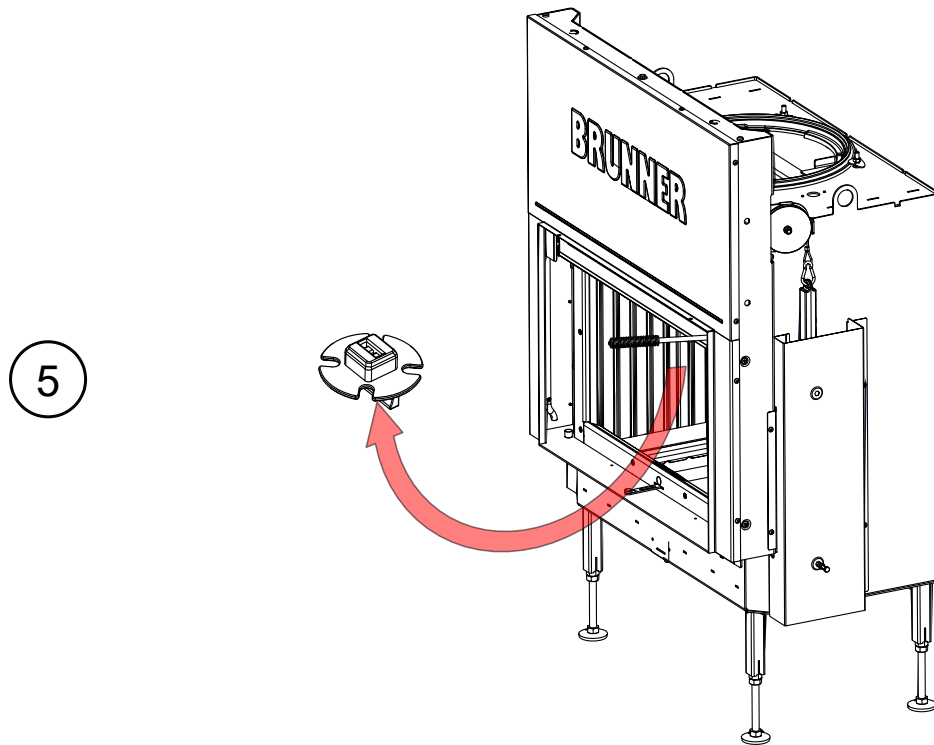


3



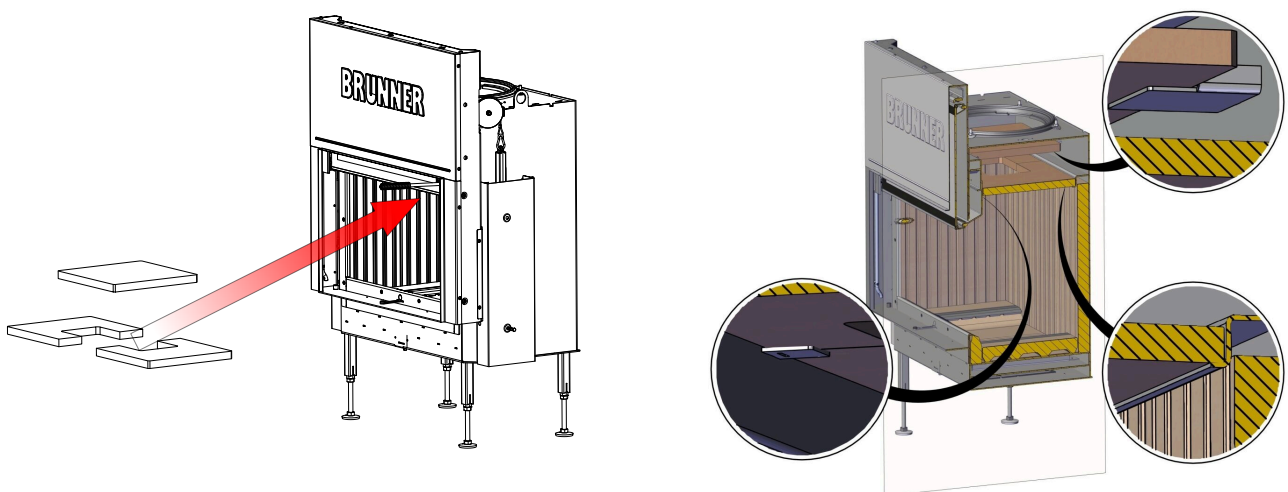
4



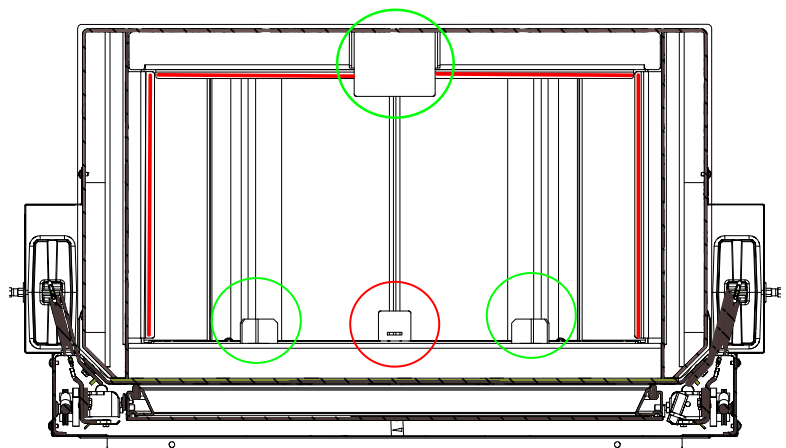
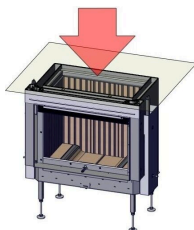
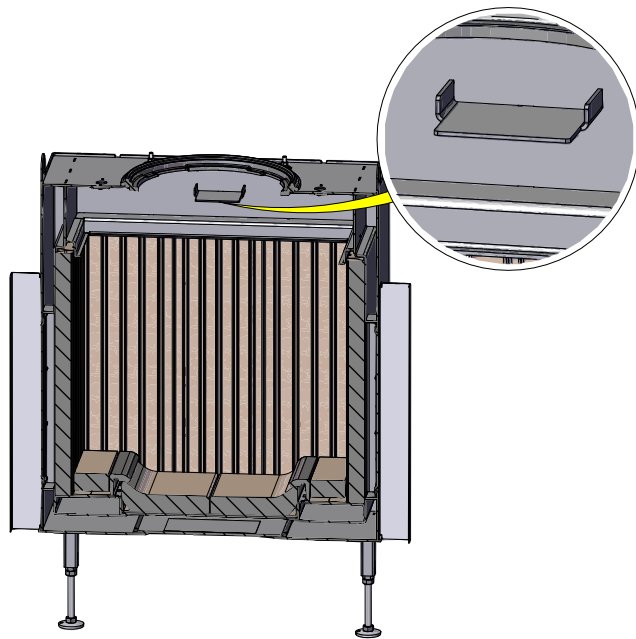
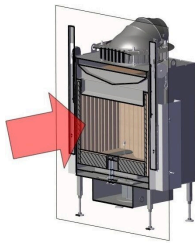
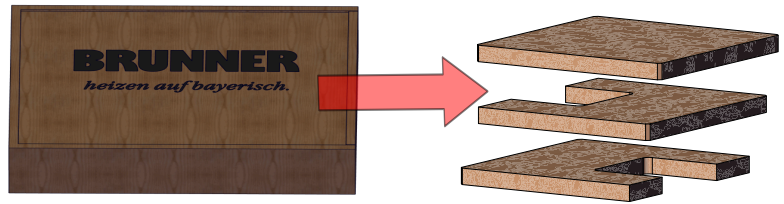


## 8 FITTING: DEFLECTION - COMBUSTION CHAMBER

*Summarised information:*



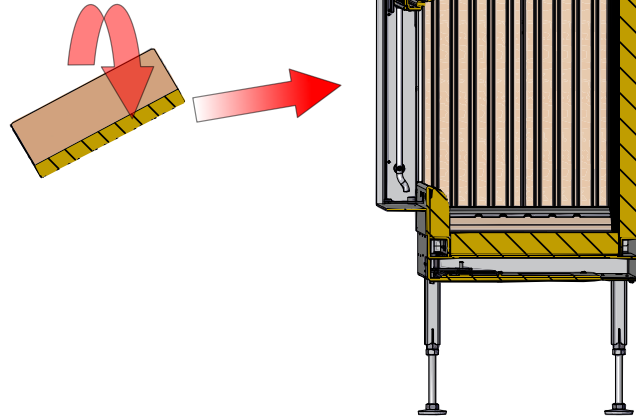
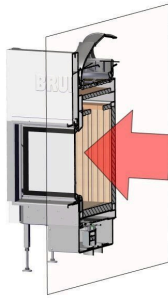
## Montage



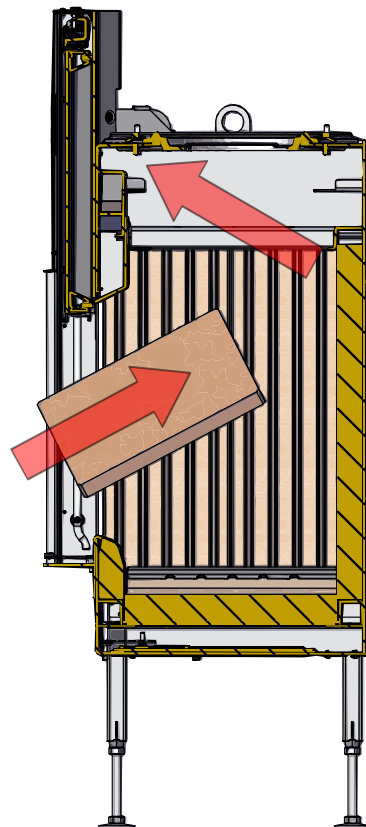
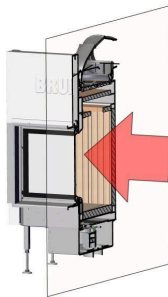
Im. 9: Support points for the deflection plates

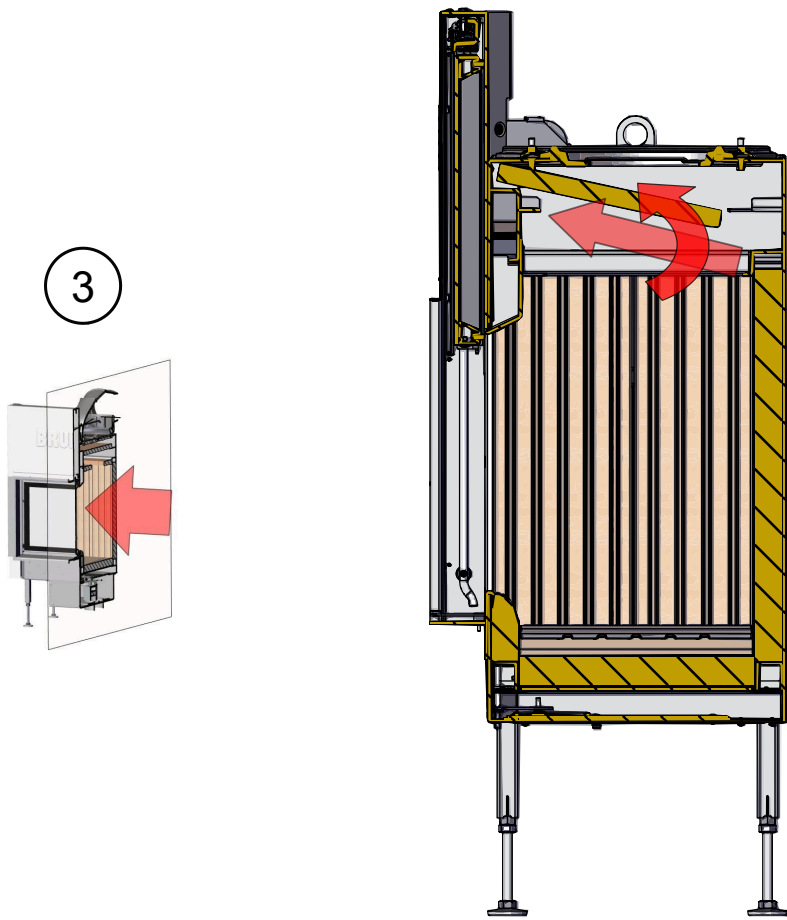
Workflow:

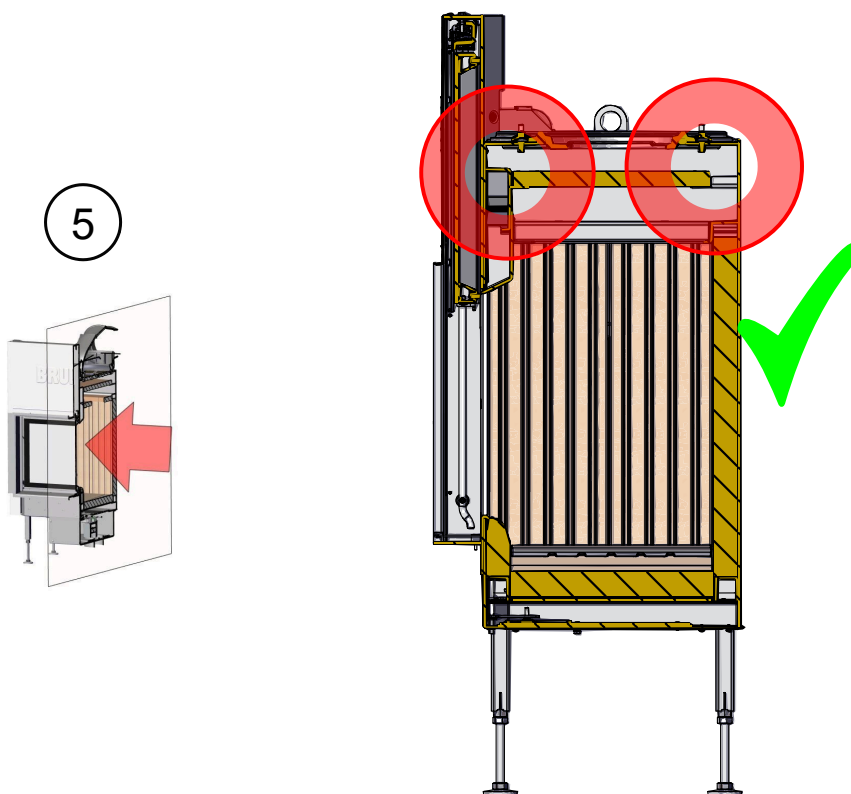
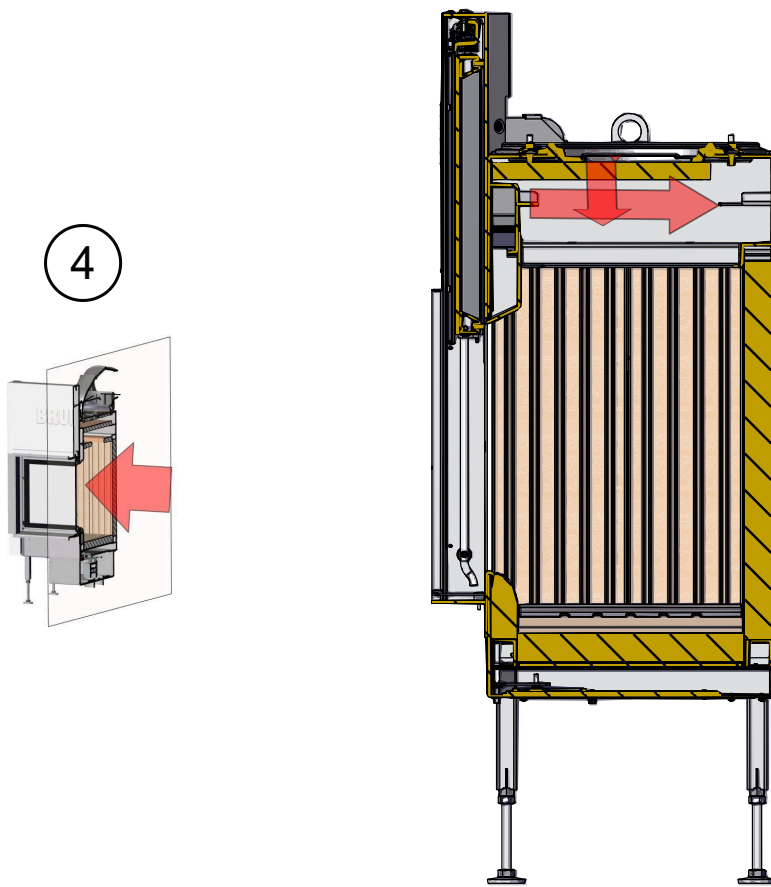
1



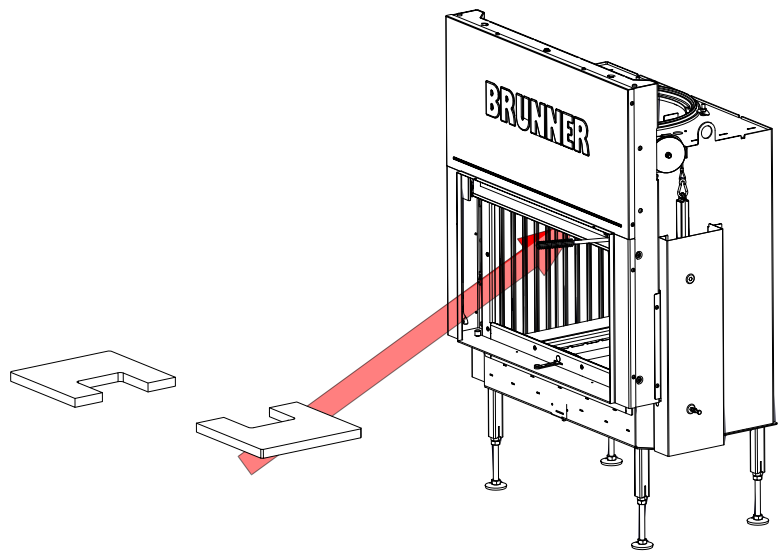
2



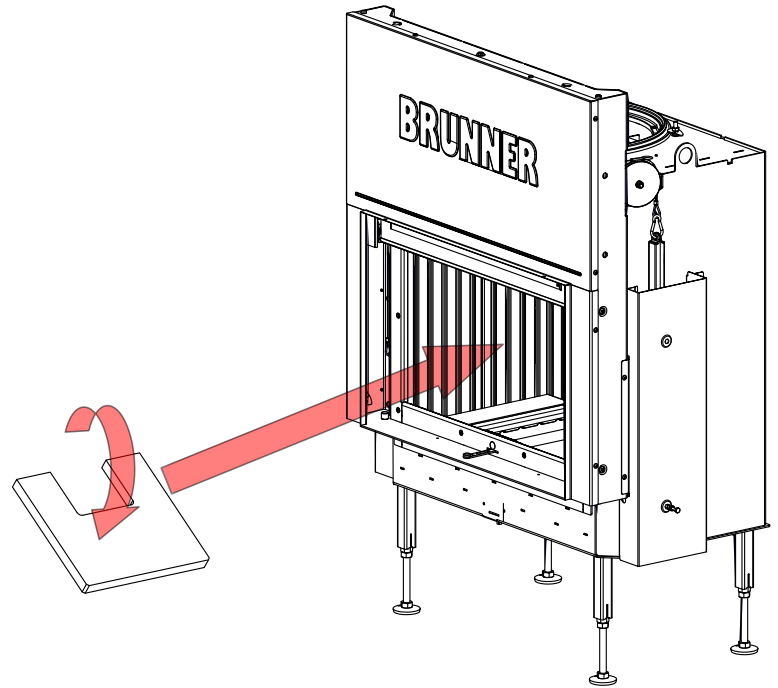




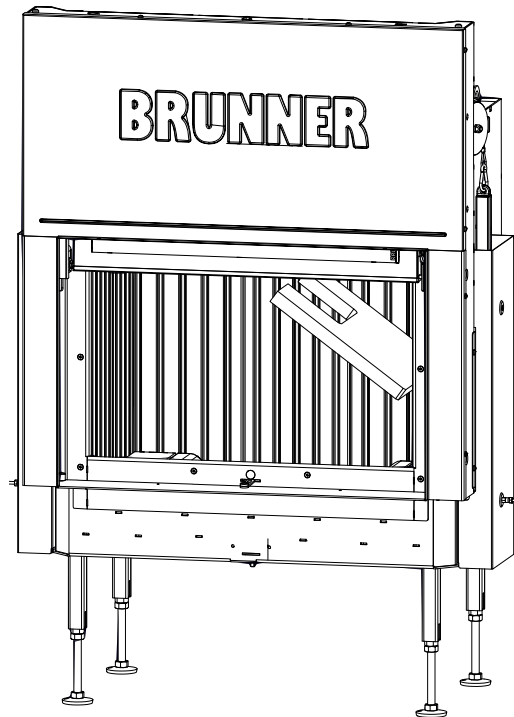
6



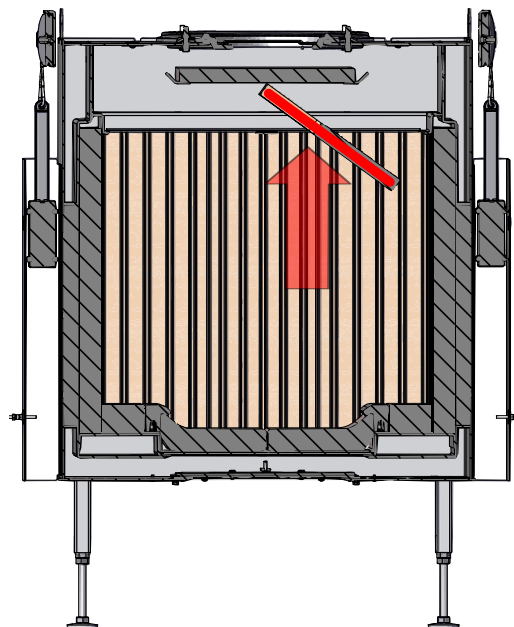
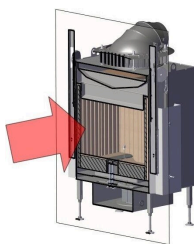
7



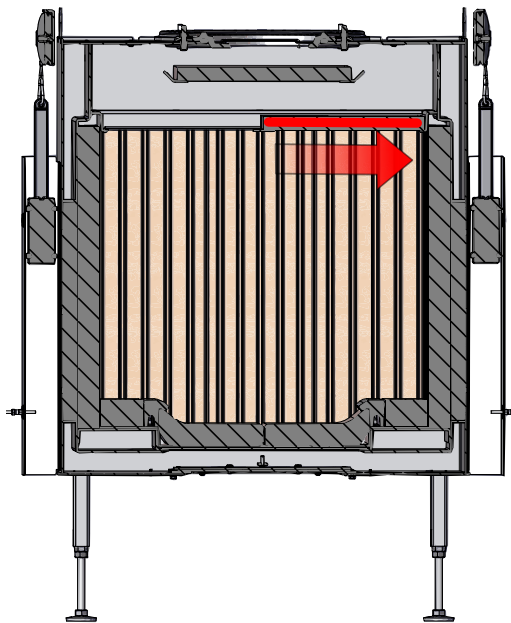
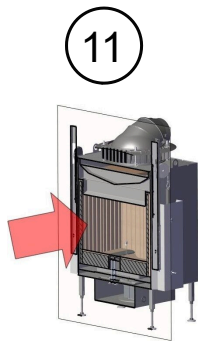
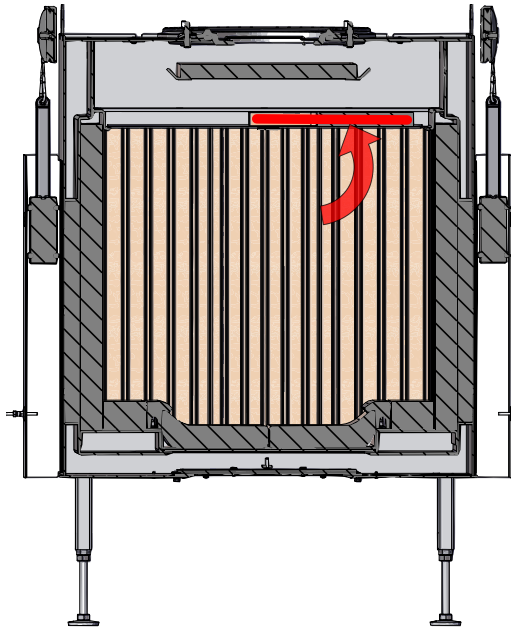
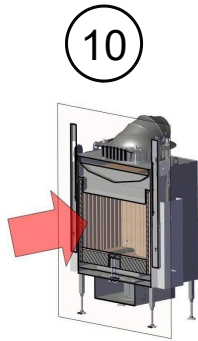
8

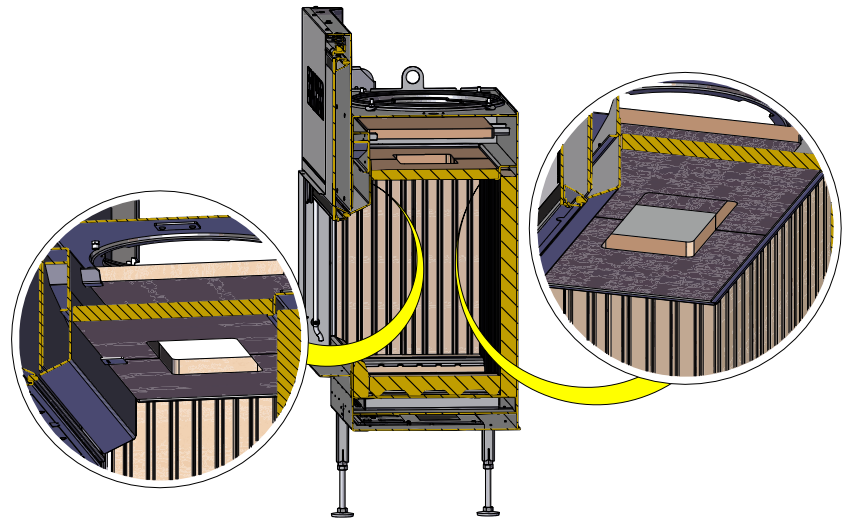
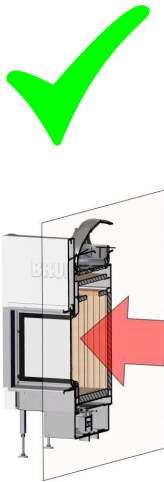
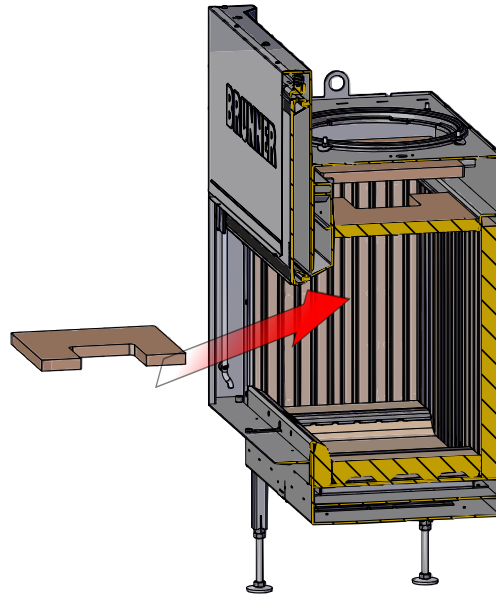
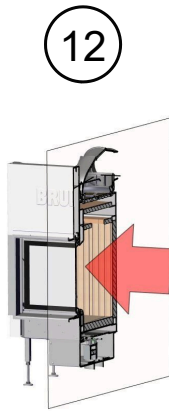


9



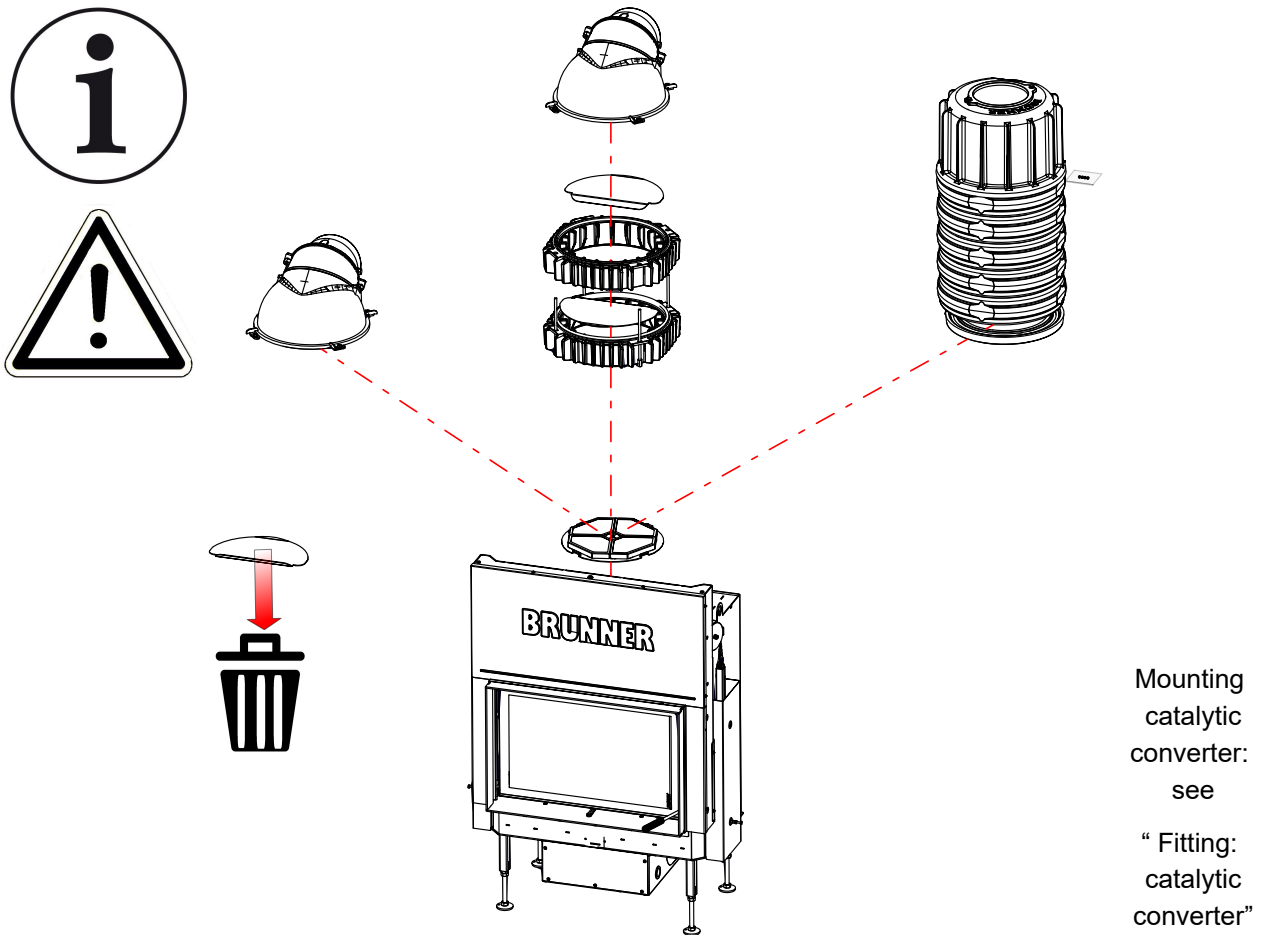




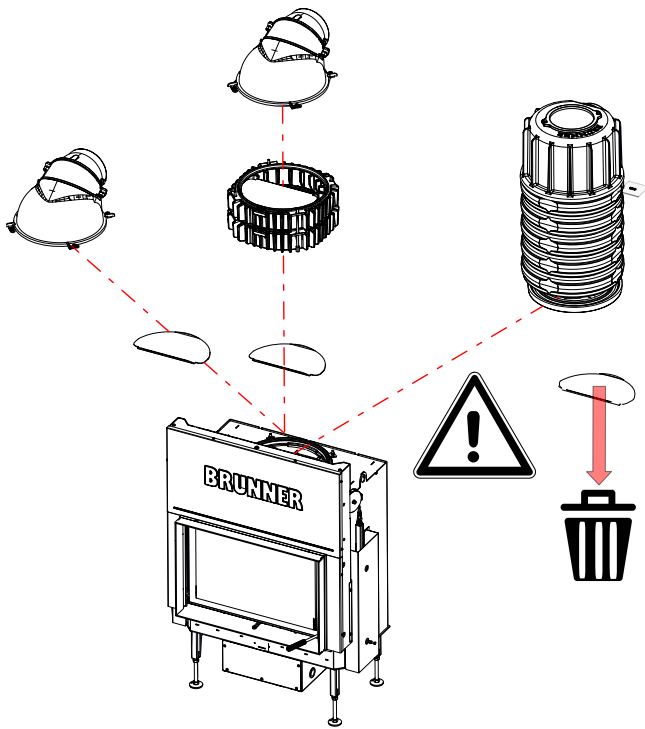


## 9 VARIANTS HEAT EXCHANGER

### 9.1 CONNECTION WITH CATALYTIC CONVERTER

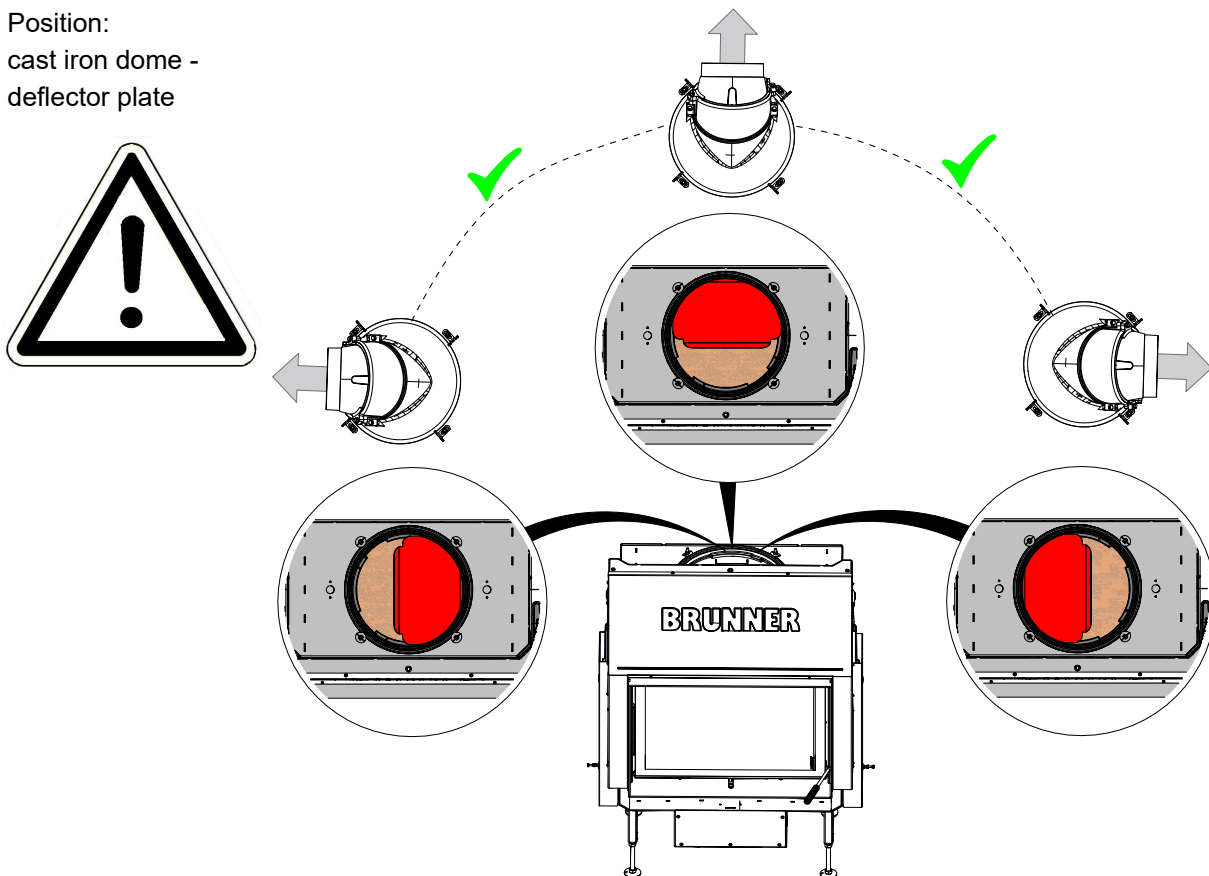


## 9.2 CONNECTION WITHOUT CATALYTIC CONVERTER



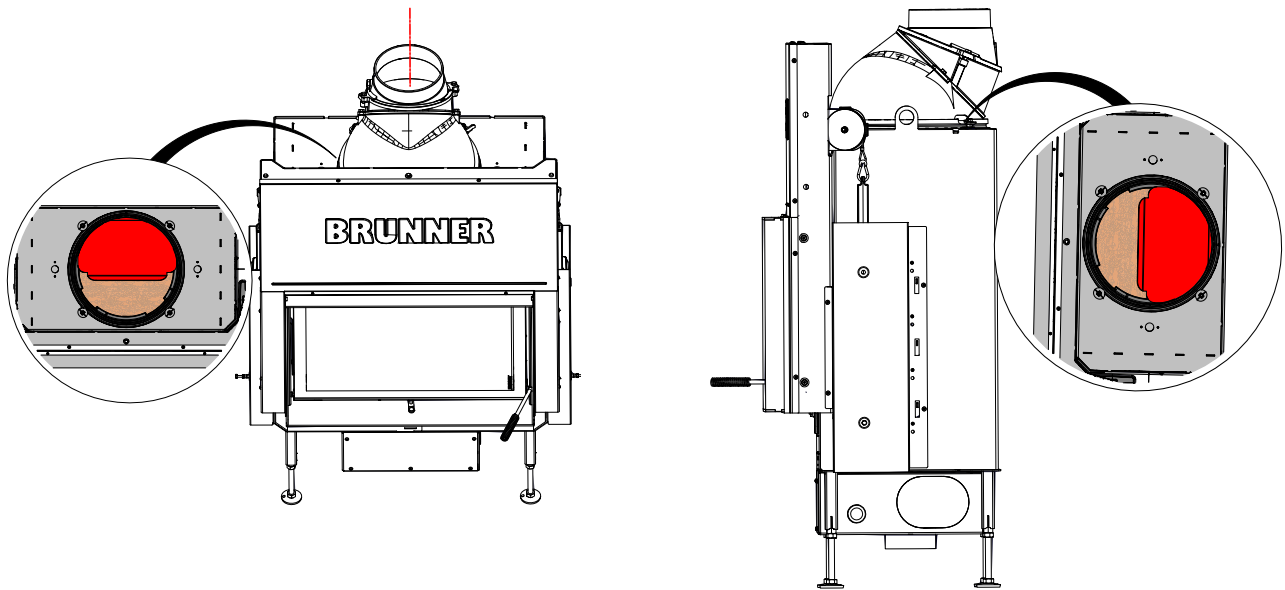
Possible variants of the connection for the outlet of flue gases

Position:  
cast iron dome -  
deflector plate

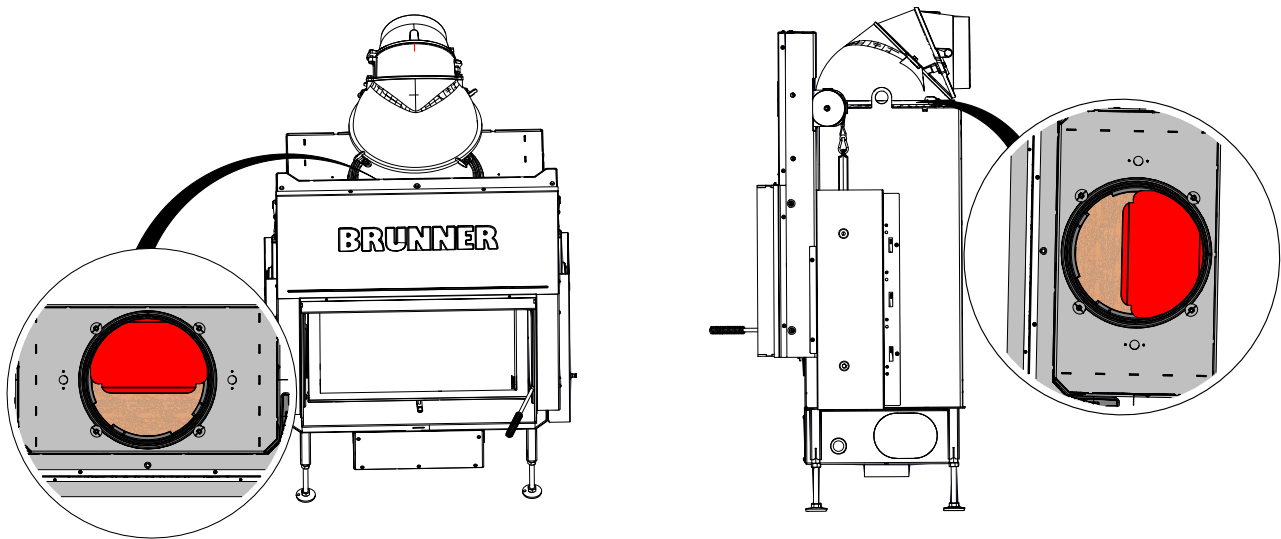


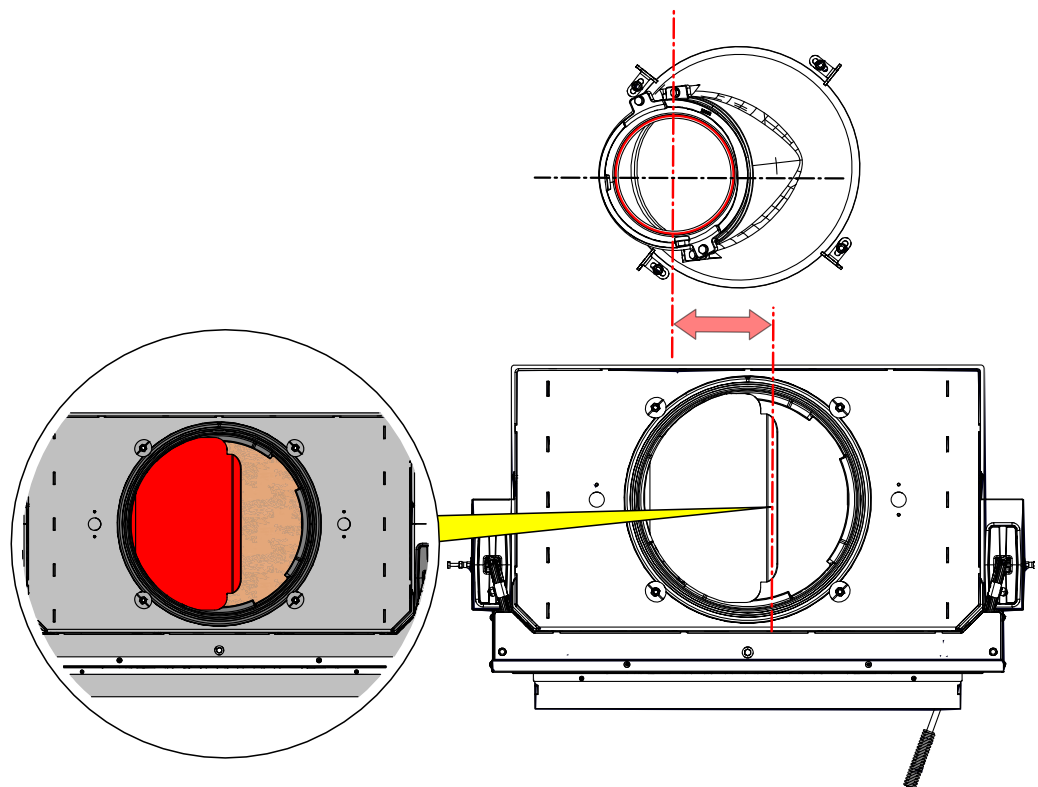
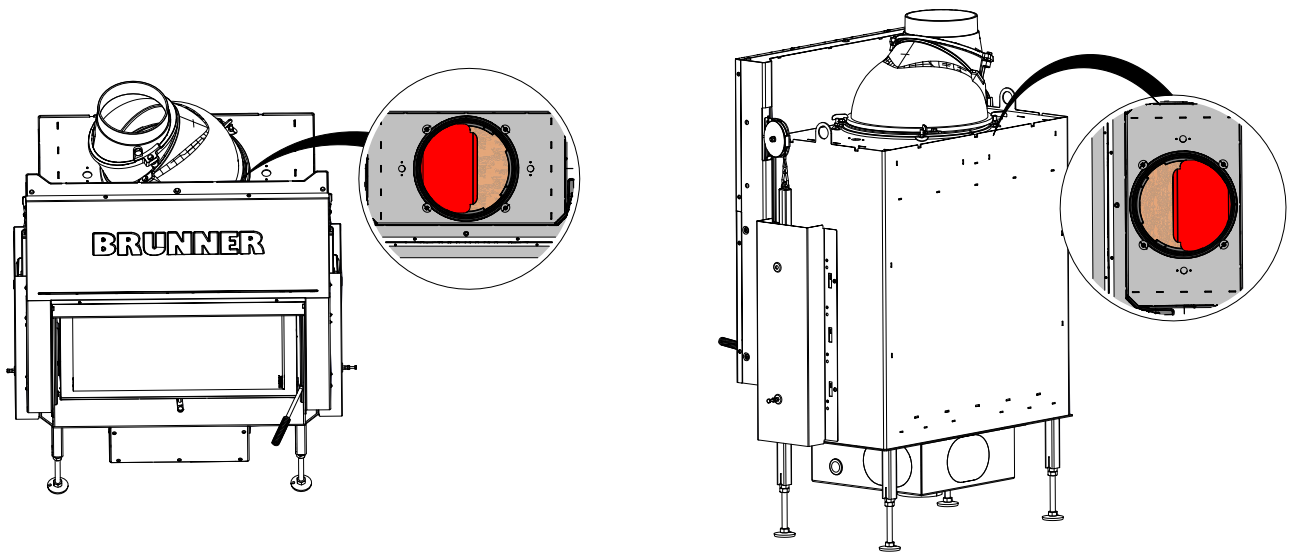
## Examples for the position of the deflector plate: Connection variant for exhaust gases

### 1. Example A: with rotating cast iron dome - at rear - vertical

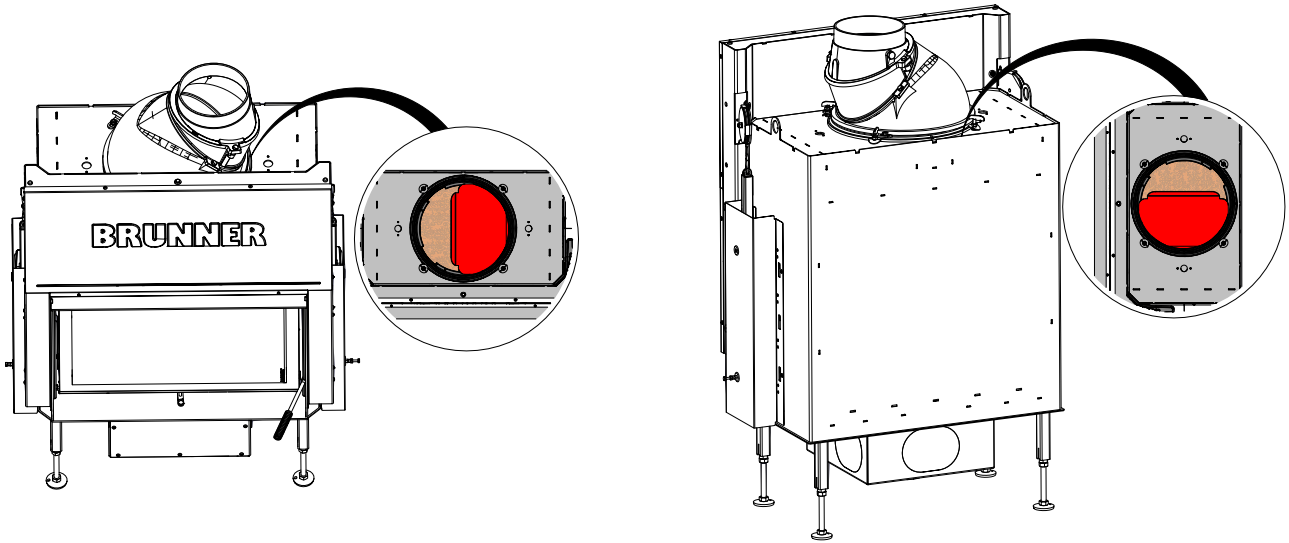


### 2. Example B: with rotating cast iron dome - at rear - horizontal

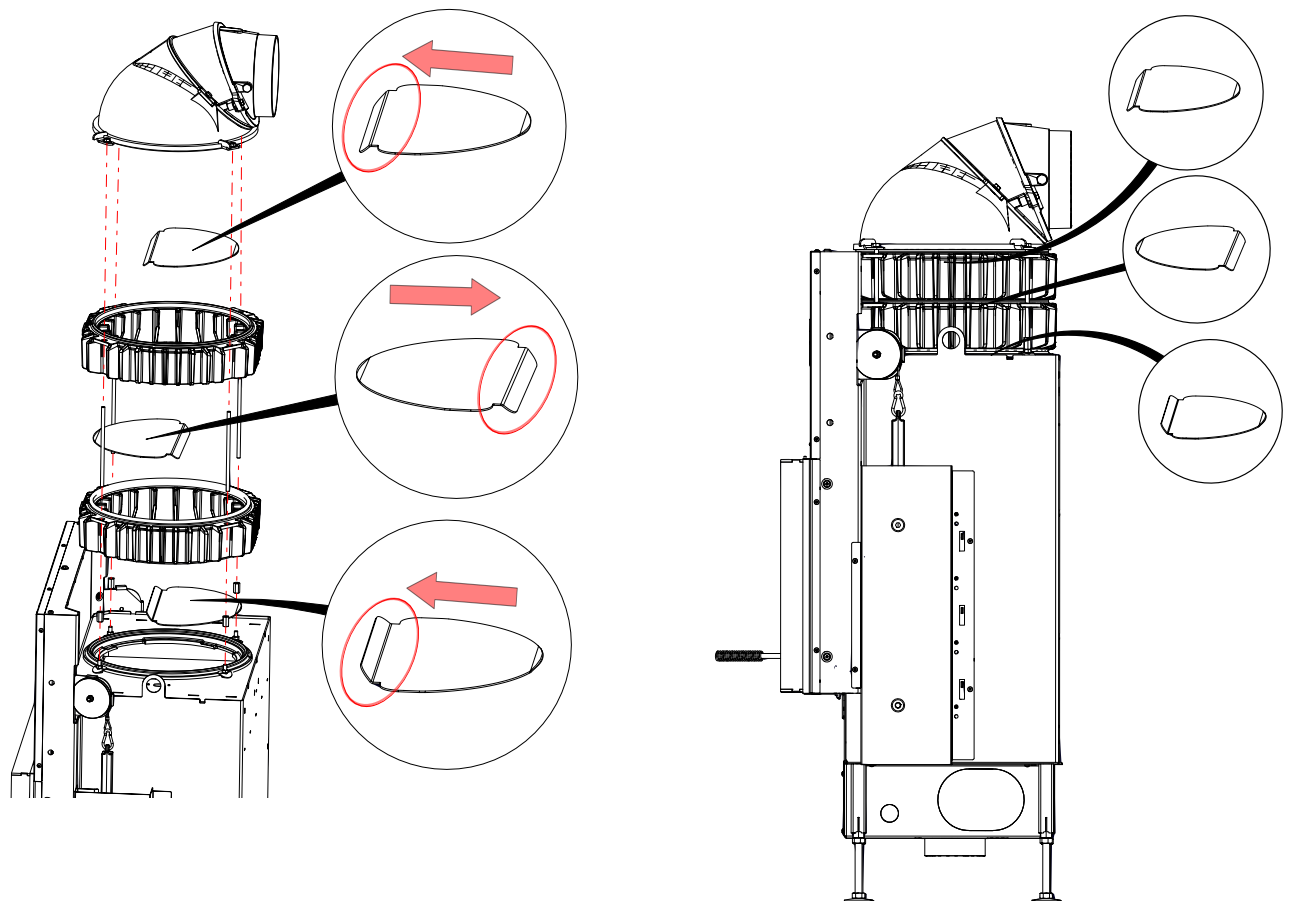


**Example C: with rotating cast iron dome - left side - vertical or horizontal**

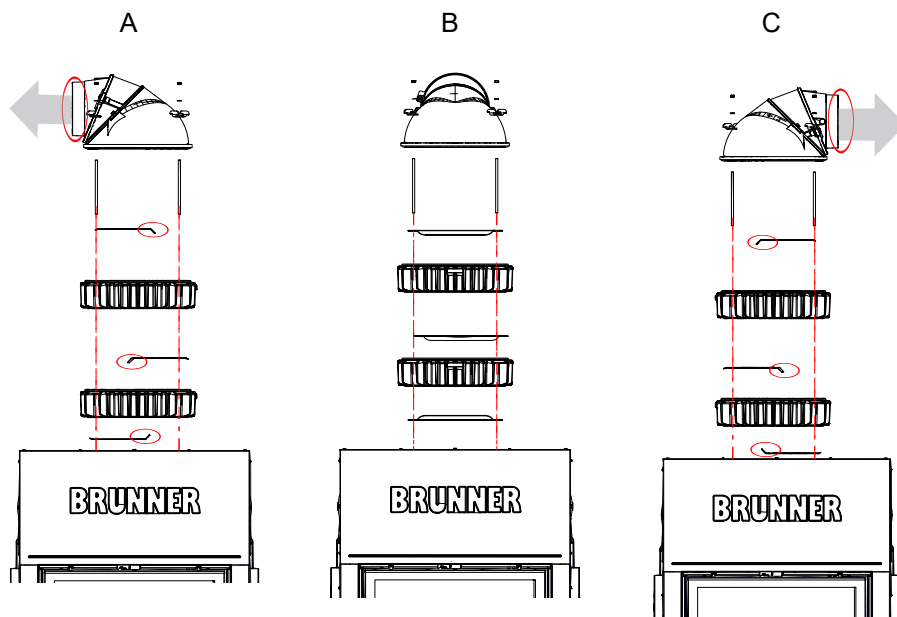
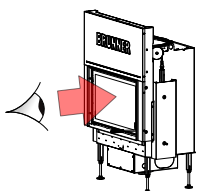
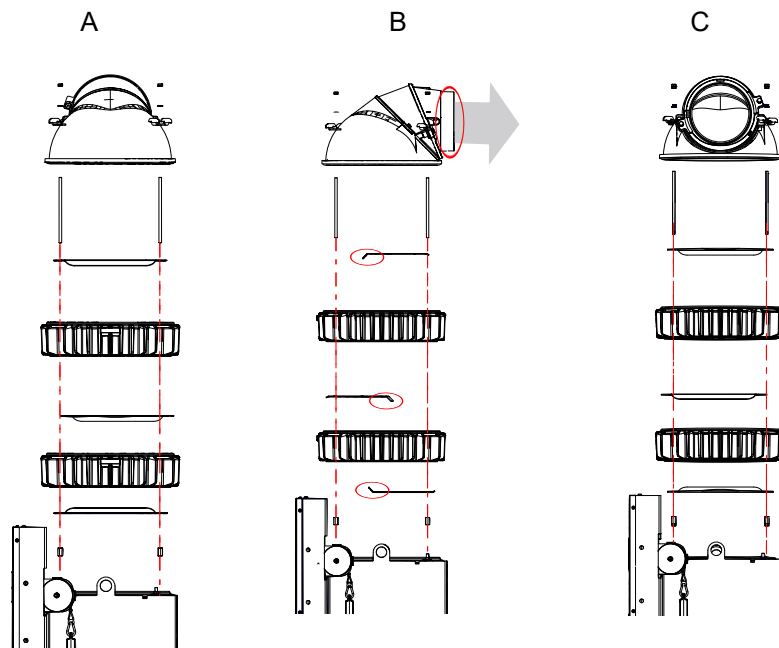
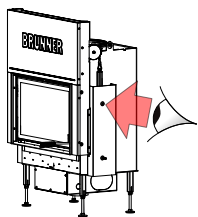
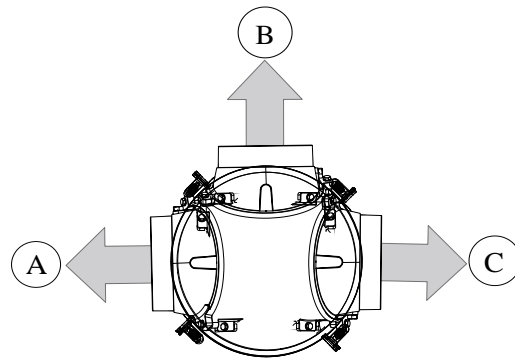
**Example D: with rotating cast iron dome right side vertical or horizontal**



**Example E: with rotating cast iron dome with heat exchanger ring - at rear - vertical or horizontal**

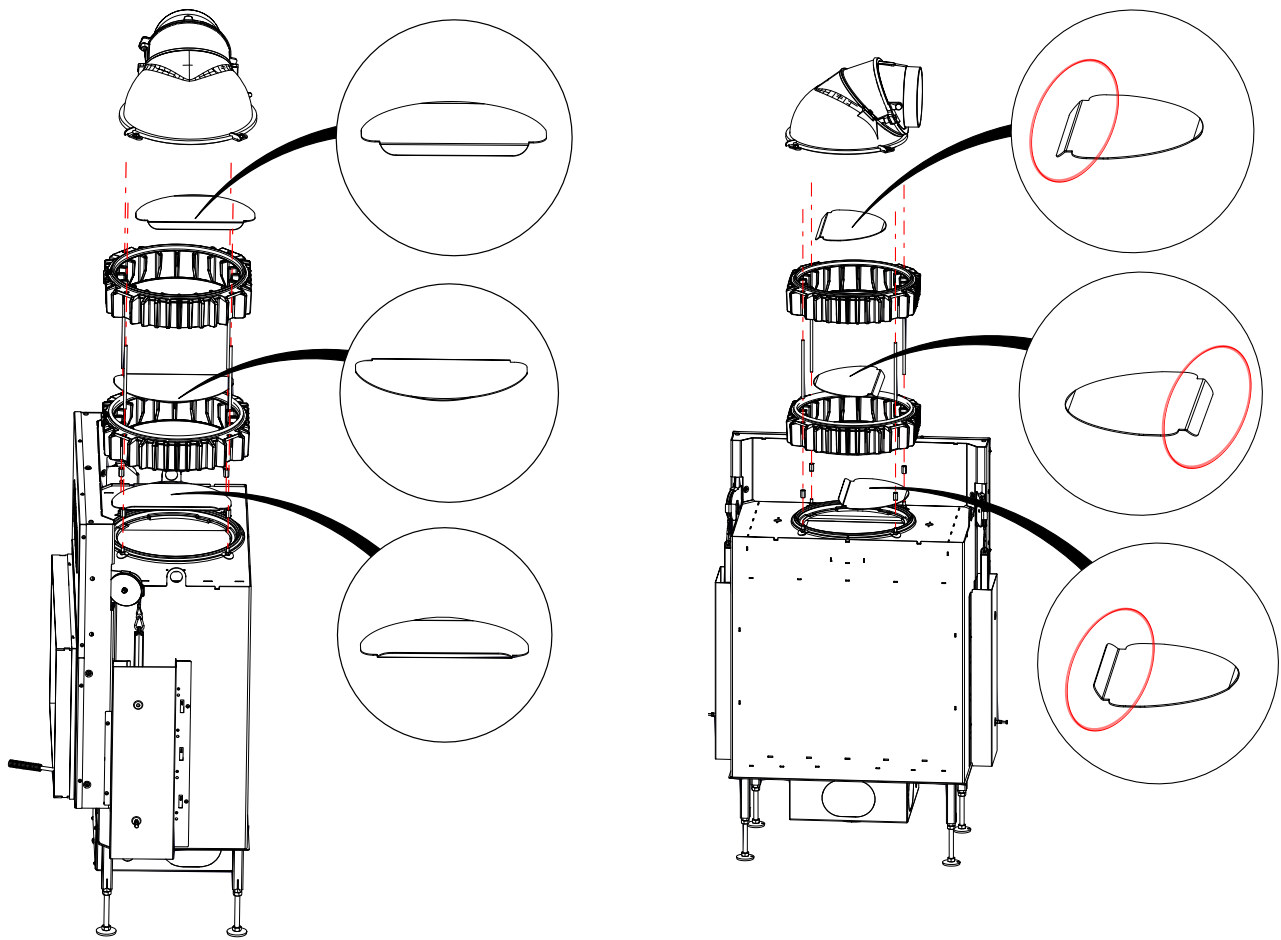


**Principle of flue gas routing with heat exchanger rings**





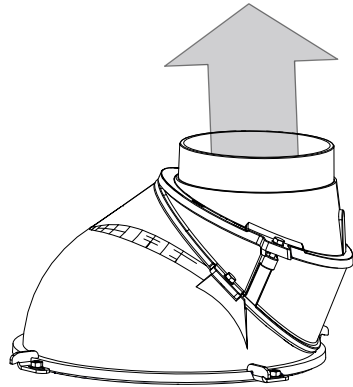
**Example F: with rotating cast iron dome with cast iron heat exchanger rings - to the left vertical or horizontal**



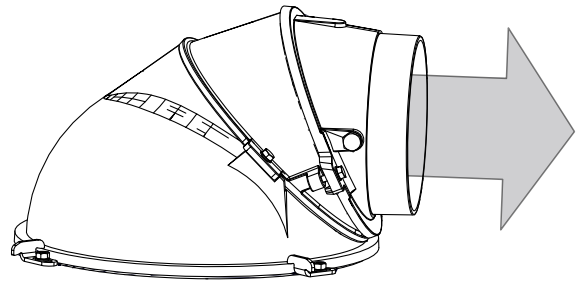
### 9.3 CAST IRON DOME



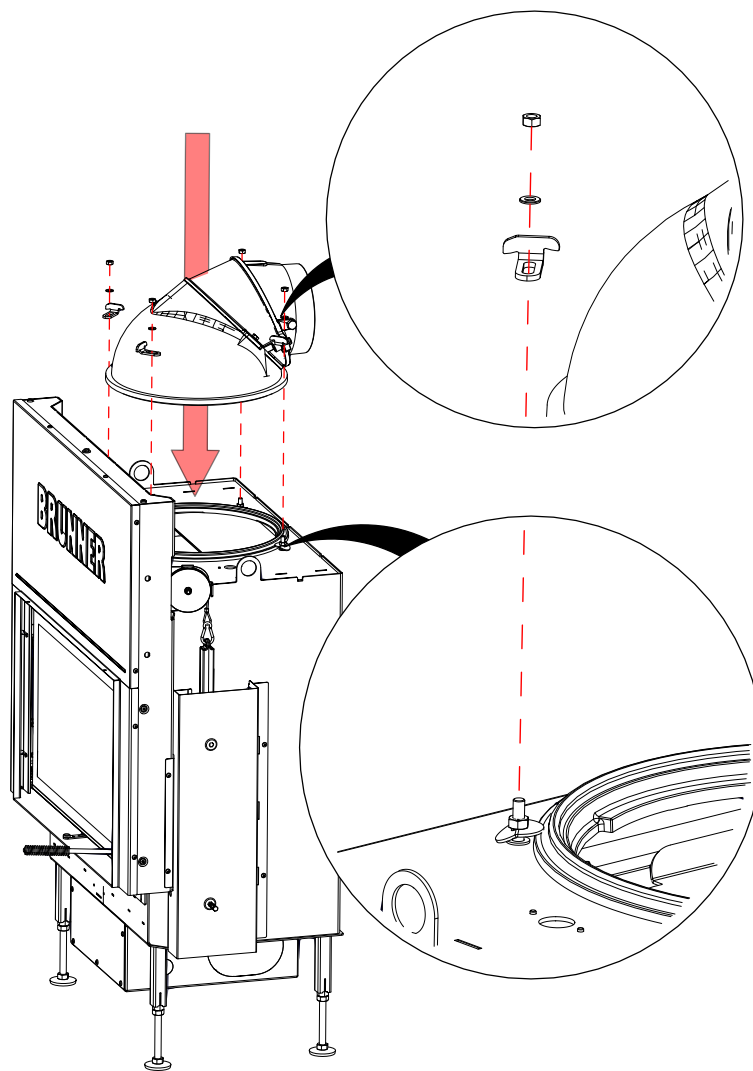
vertical outlet



horizontal outlet



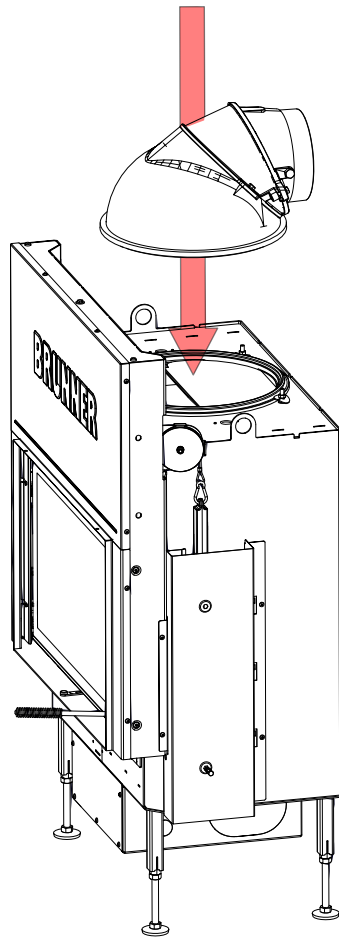
INFO modification: see enclosed sheet - cast iron dome



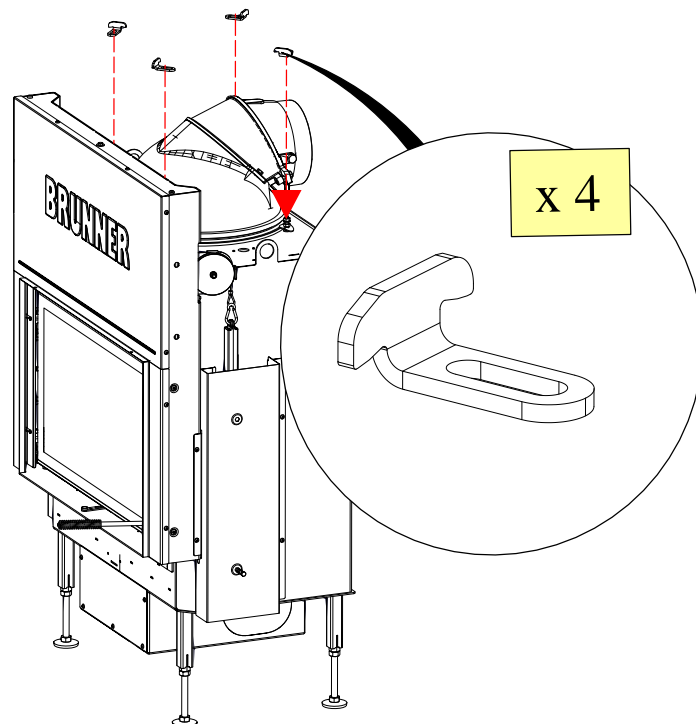
*Im. 10: Summarised information*

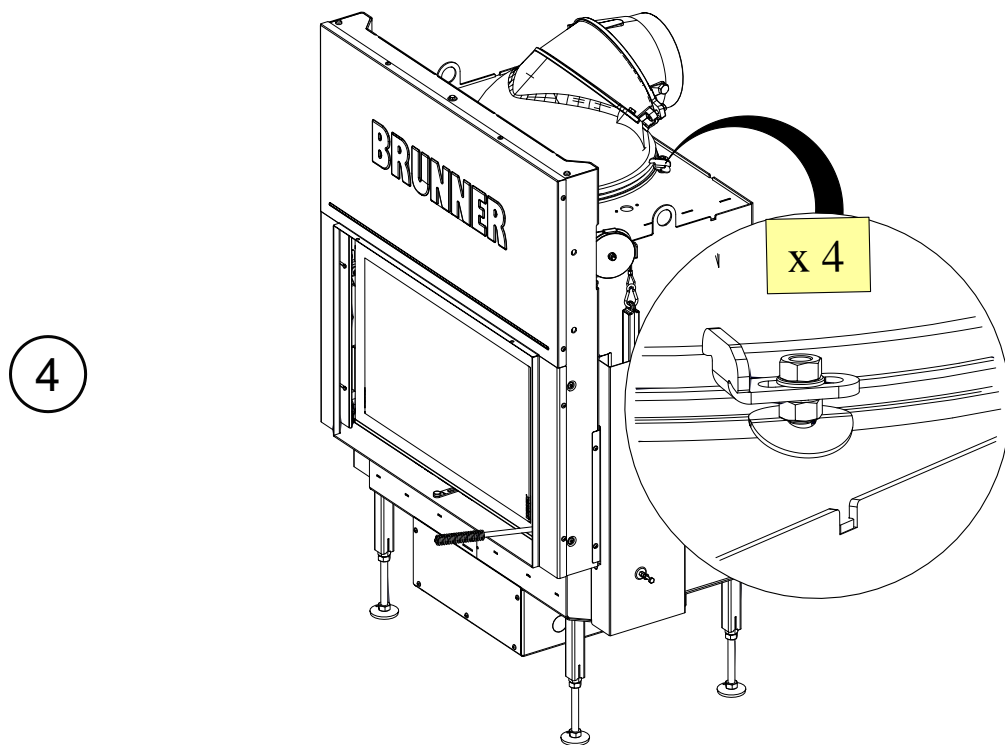
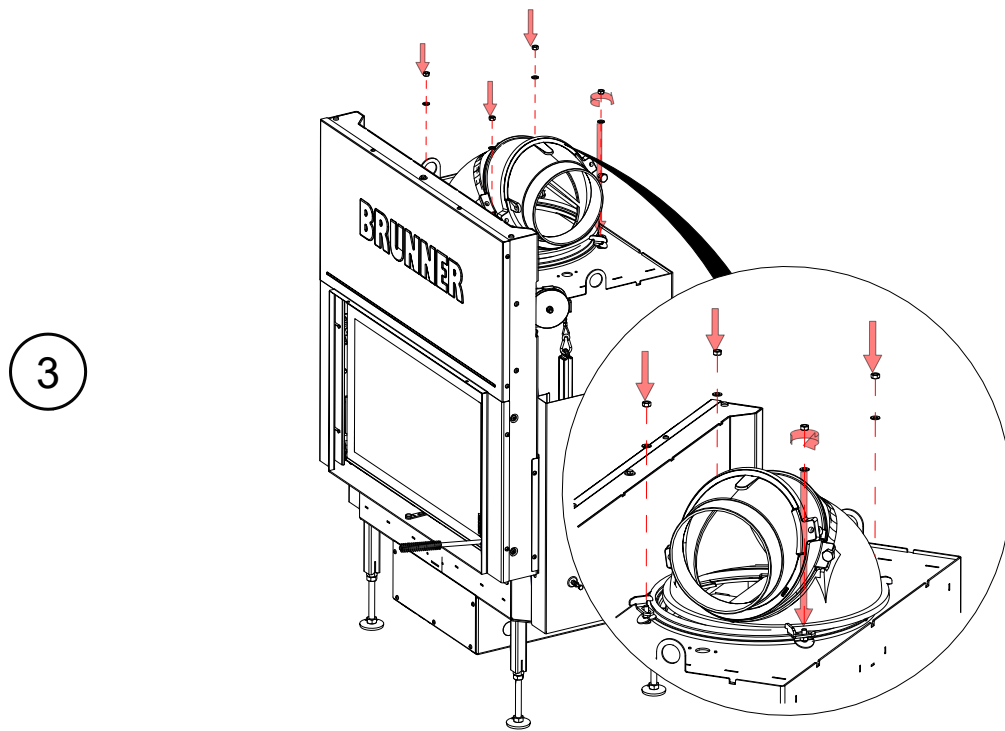
Workflow:

1



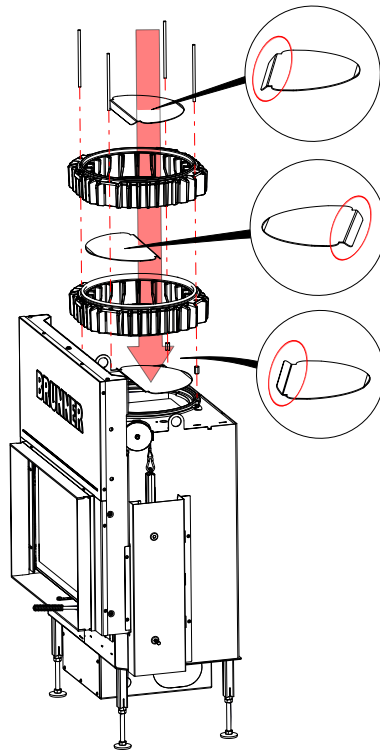
2





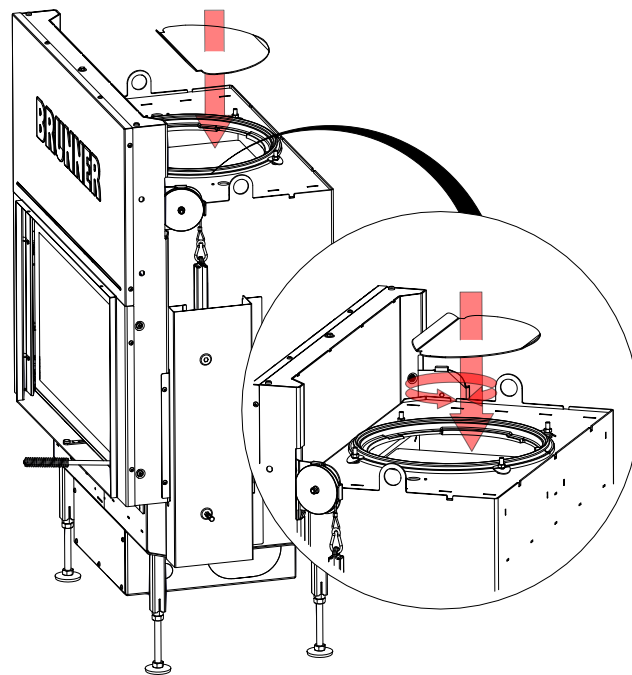
## 9.4 HEAT EXCHANGER RINGS

*Summarised information:*

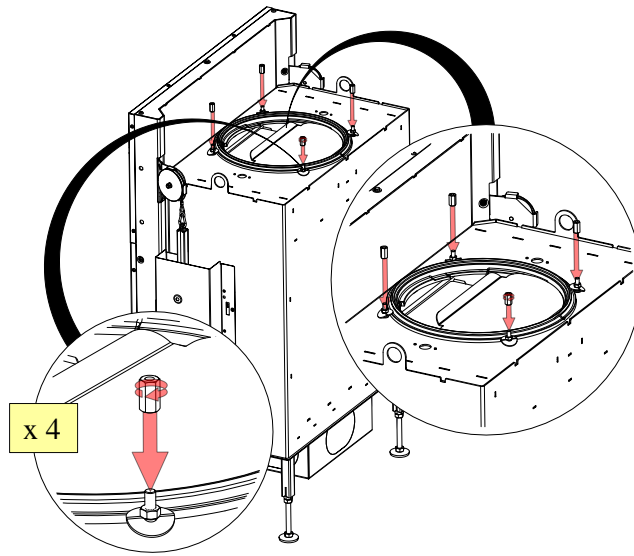


Workflow:

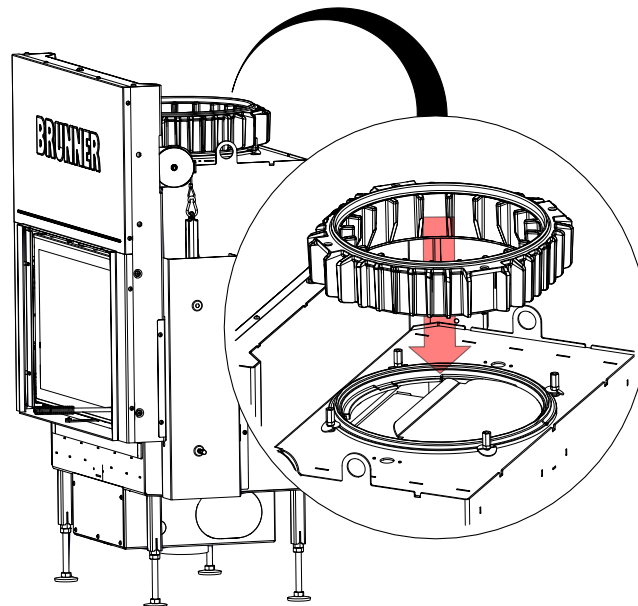
1



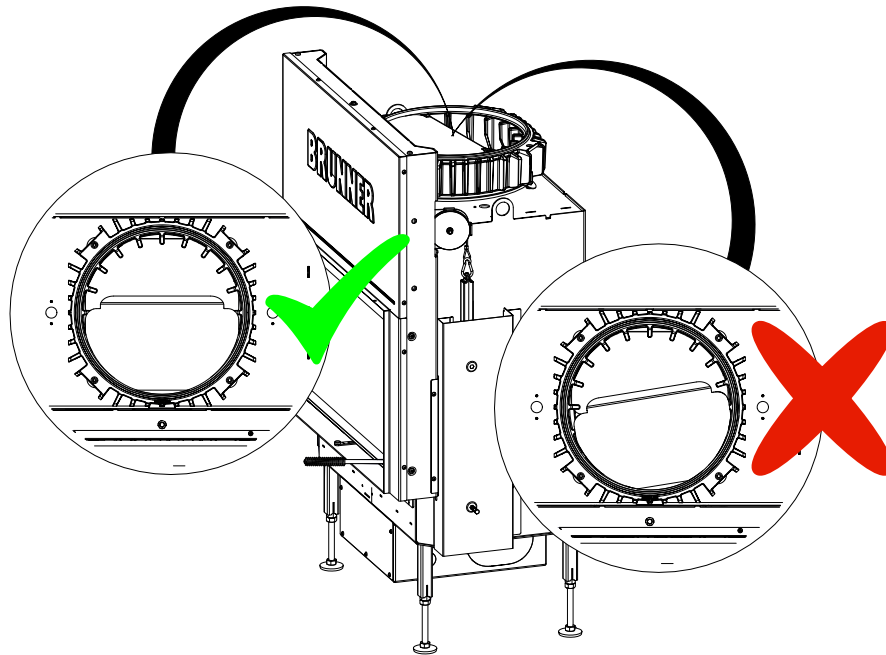
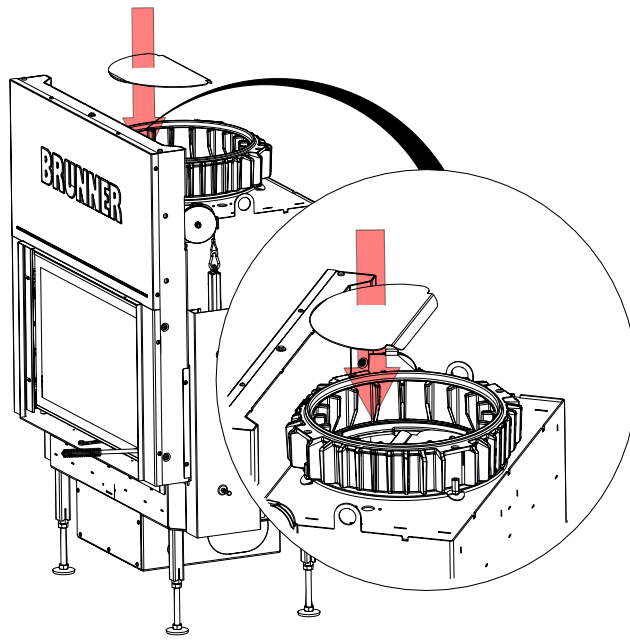
2

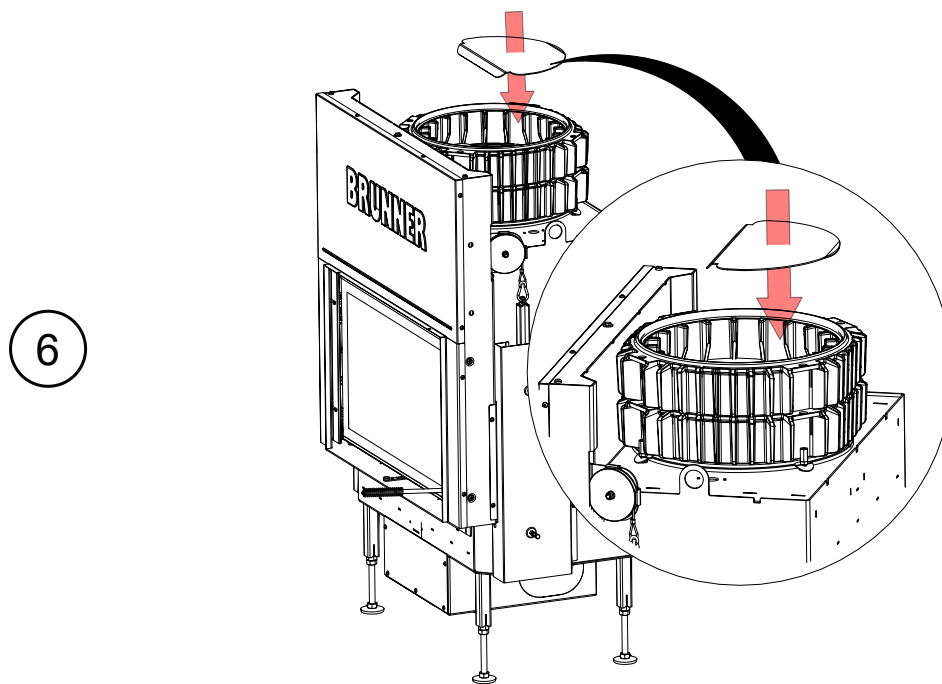
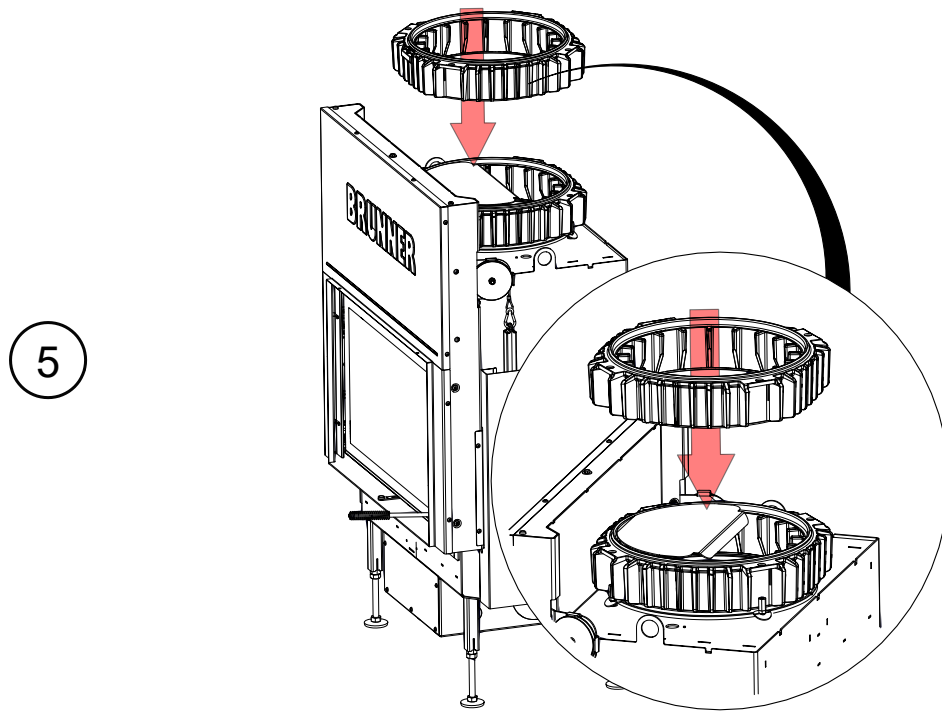


3



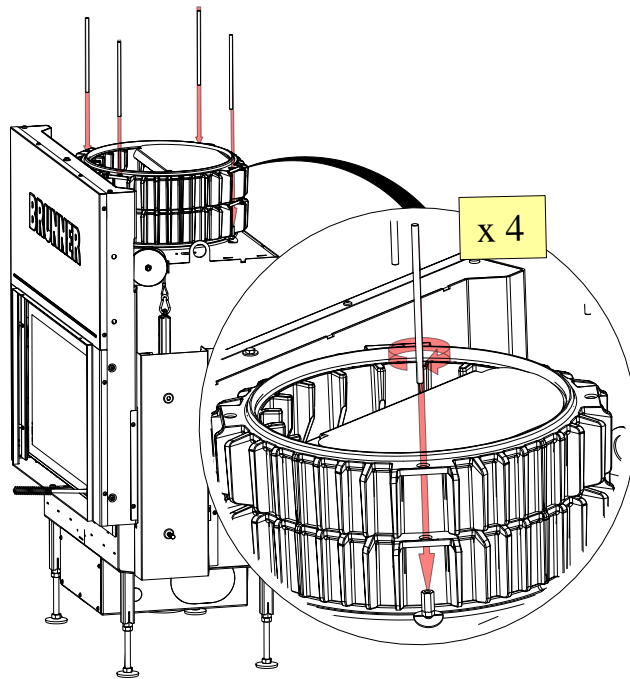
4



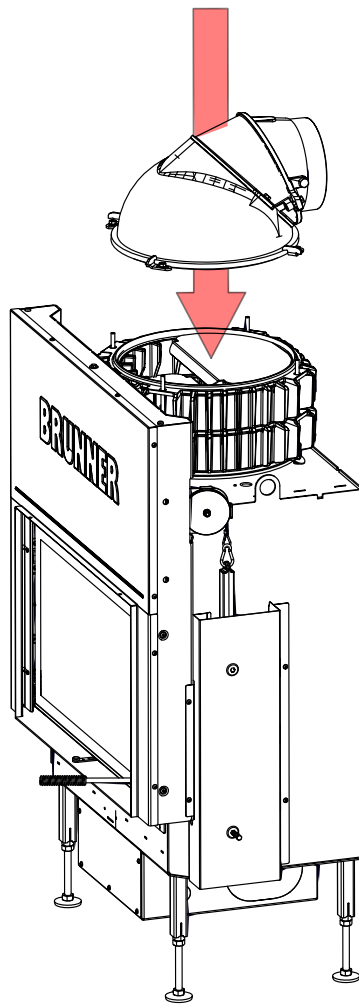




7



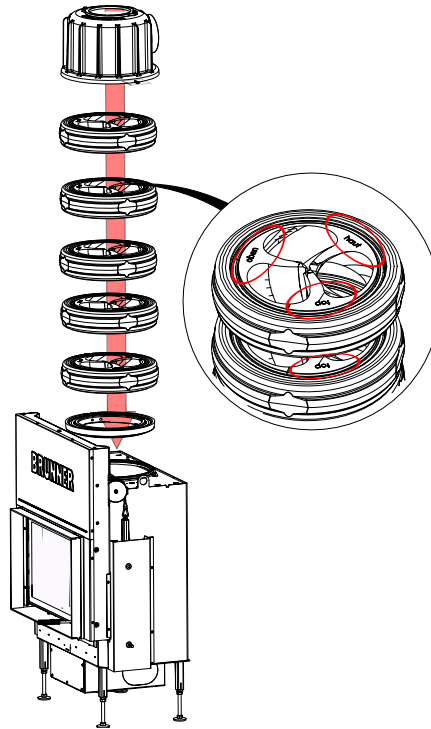
8



Thereafter: see "Cast iron dome"

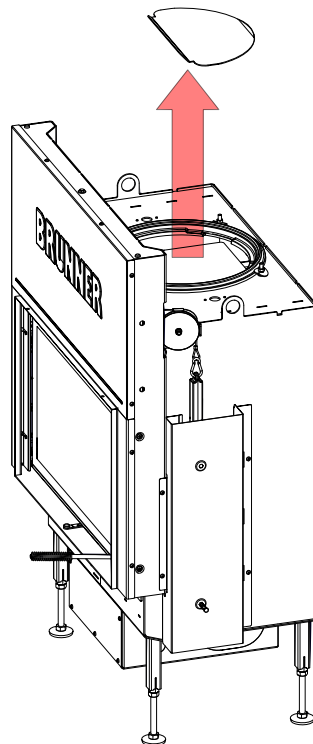
## 9.5 HEAT EXCHANGER MAS

*Summarised information:*

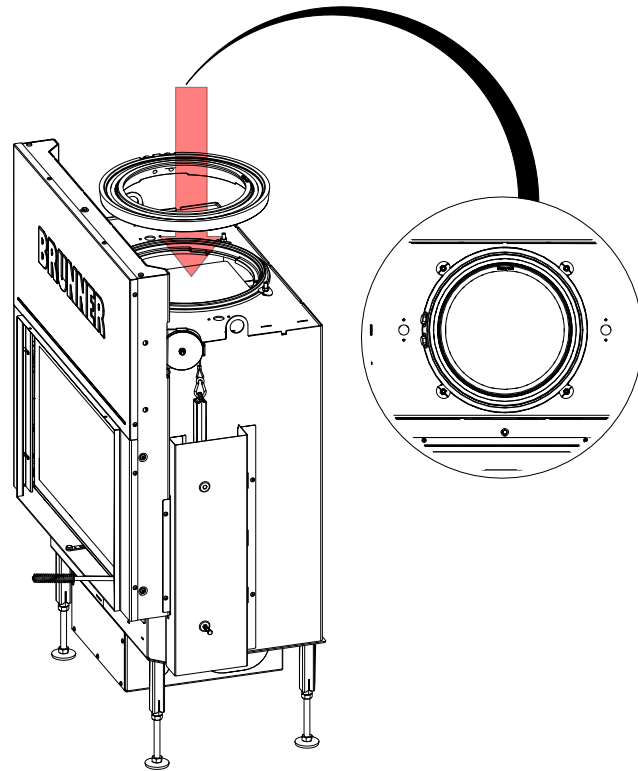


*Workflow:*

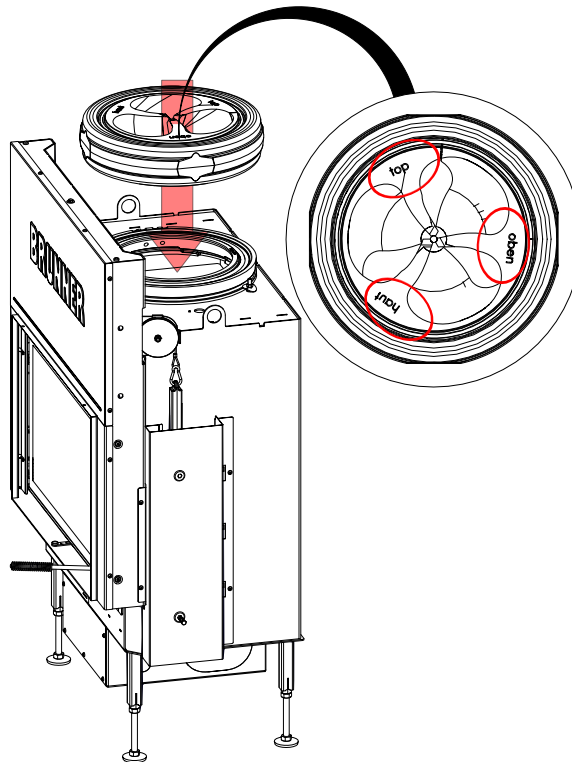
1

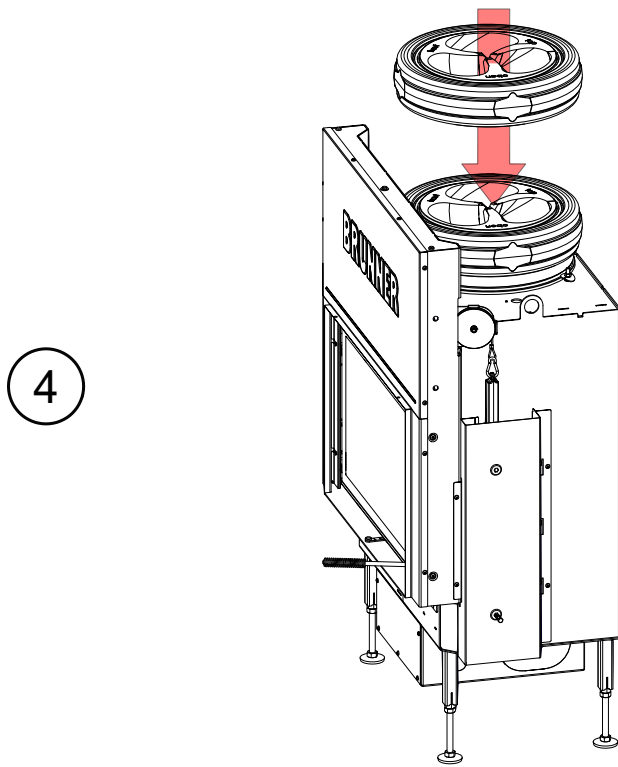


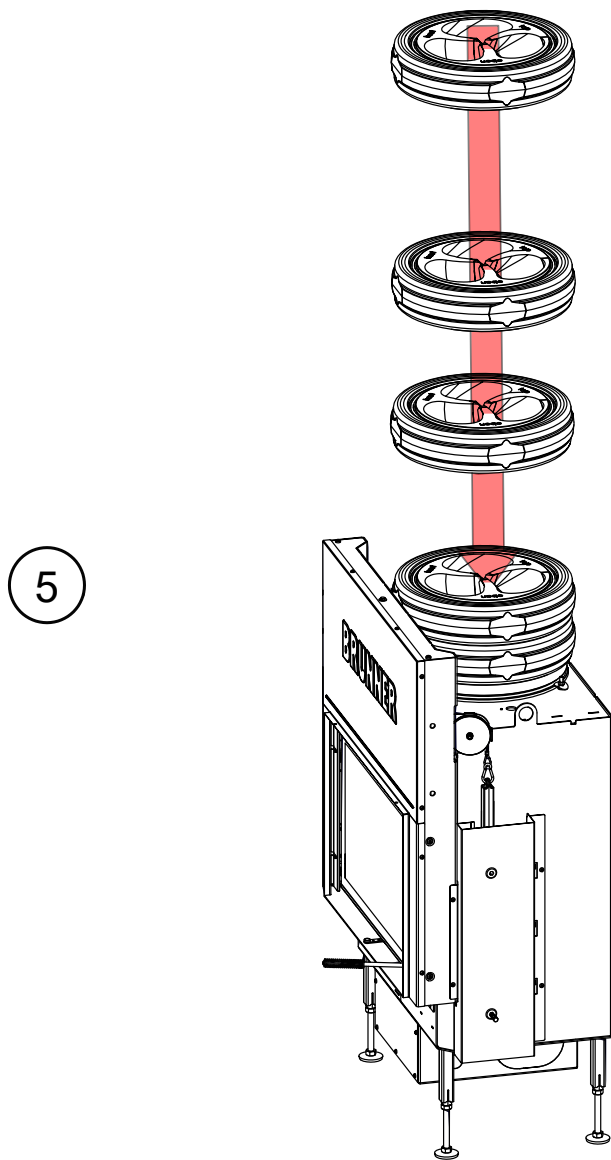
2



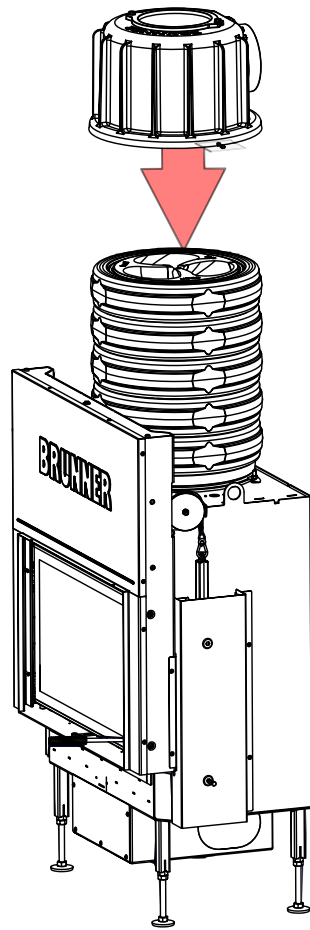
3

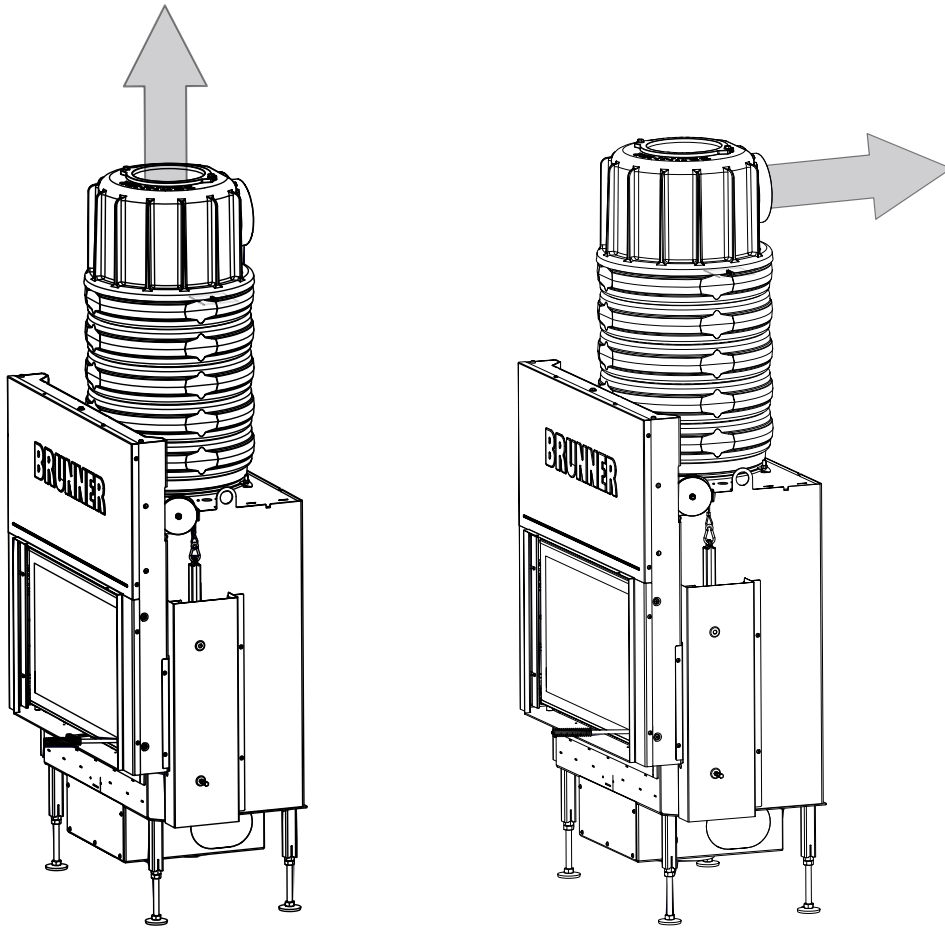






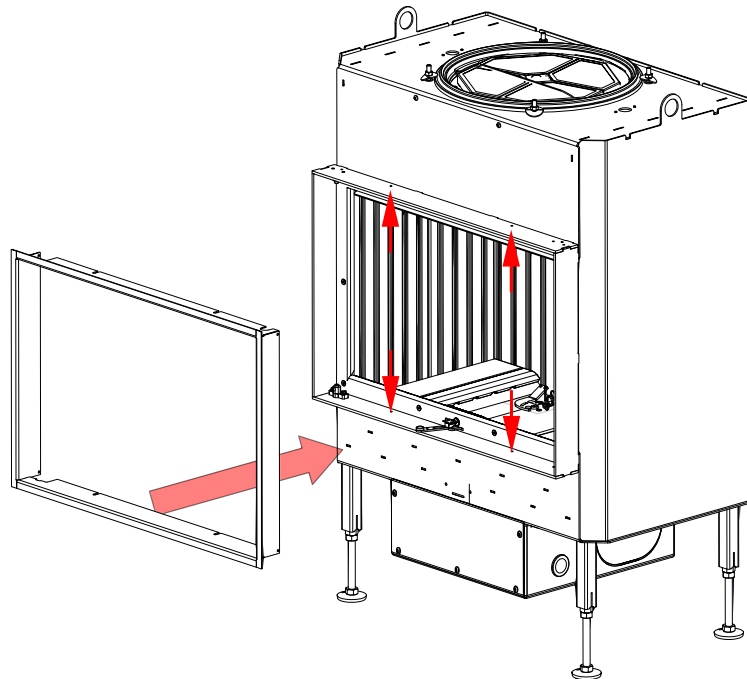
6





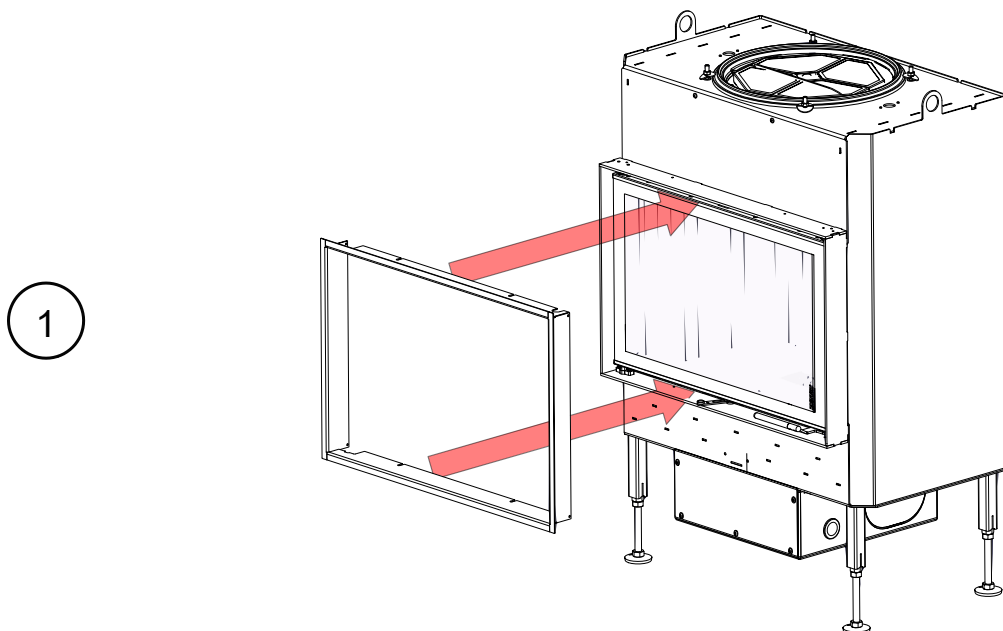
## 10 FRAME VARIANTS

### 10.1 DOOR FRAME (BKH WITH SIDE-OPENING DOOR)



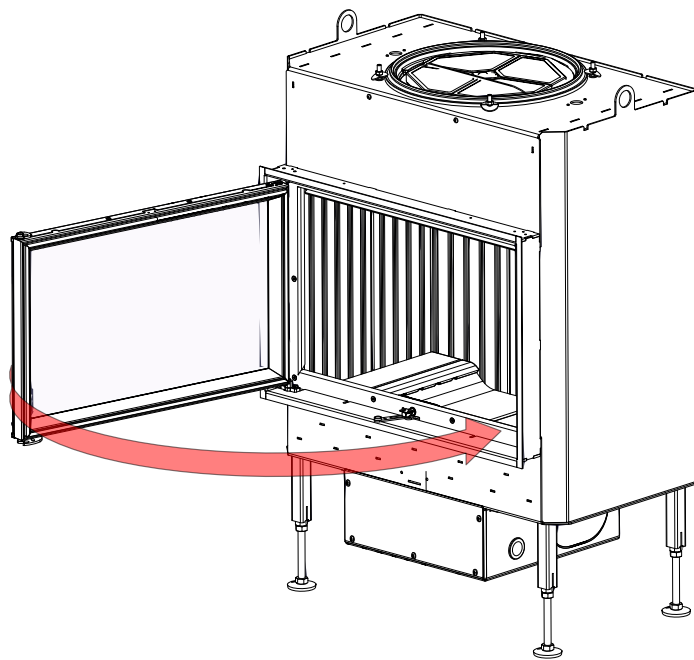
*Im. 11: Summarised information*

#### Workflow:

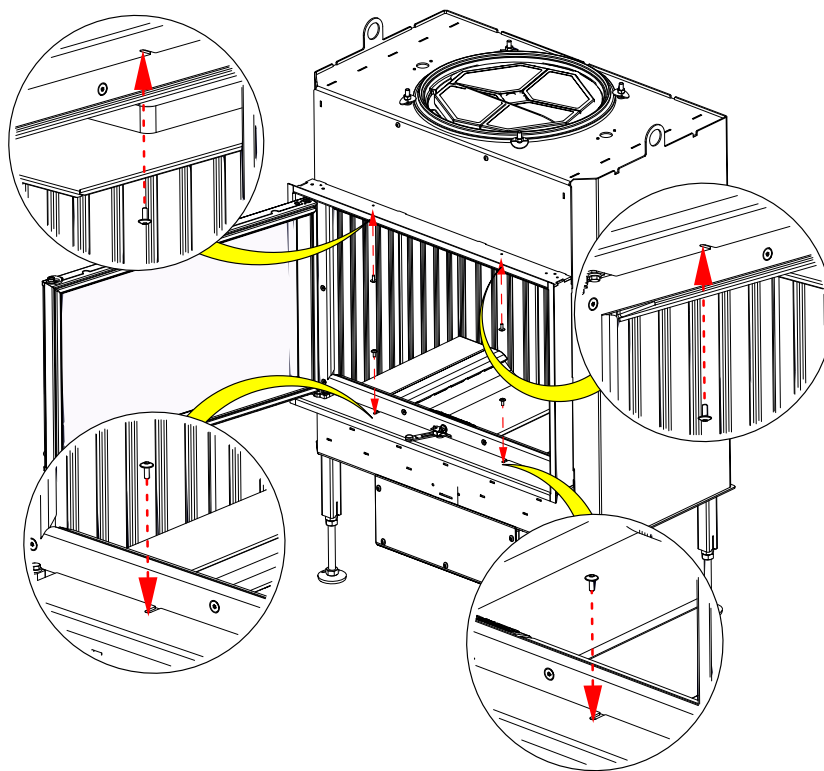




2



3

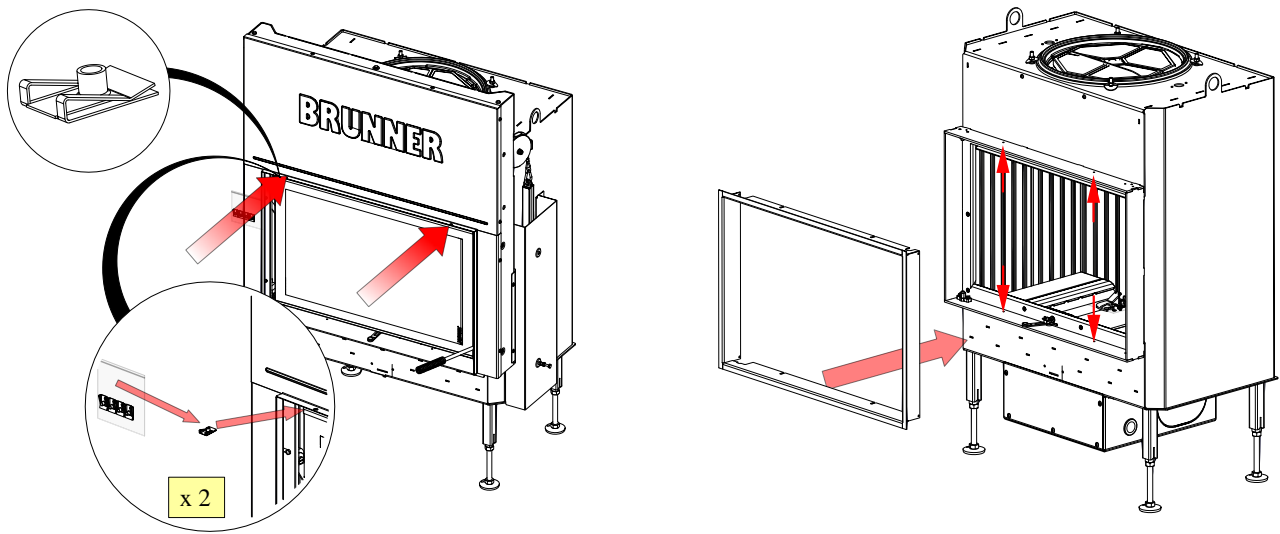


## 10.2 MOUNTING FRAME OR DOOR FRAME (BKH WITH LIFTING DOOR)

Summarised information:

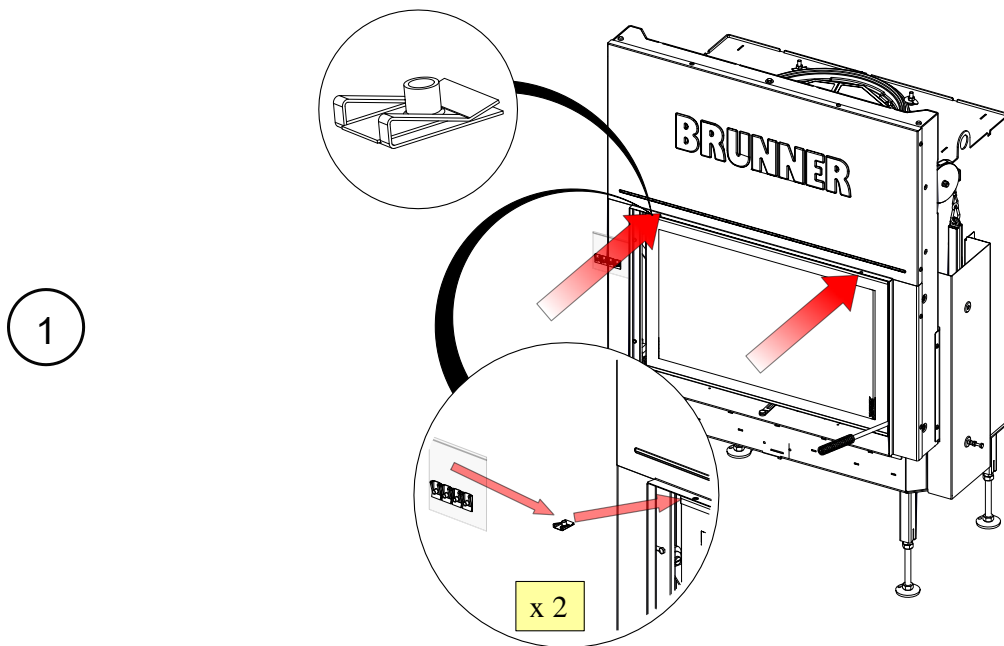
Mounting frame

Door frame

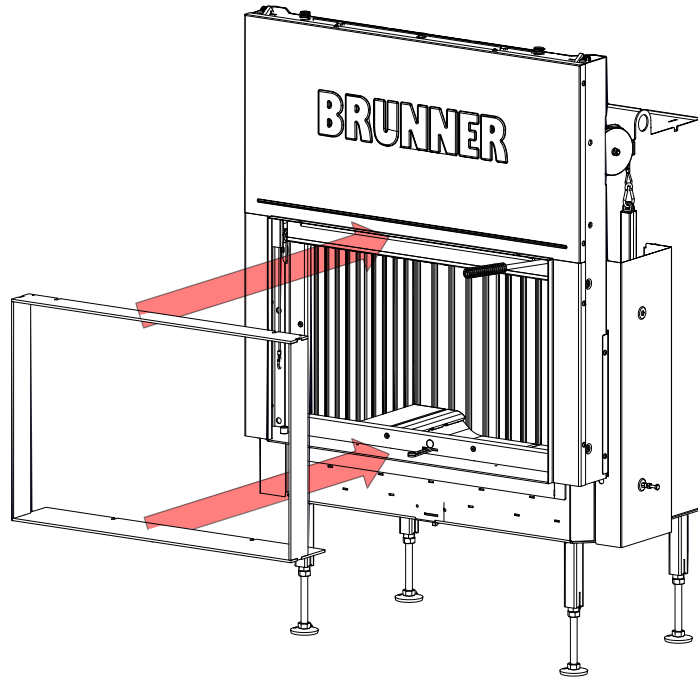


**Mounting: mounting frame**

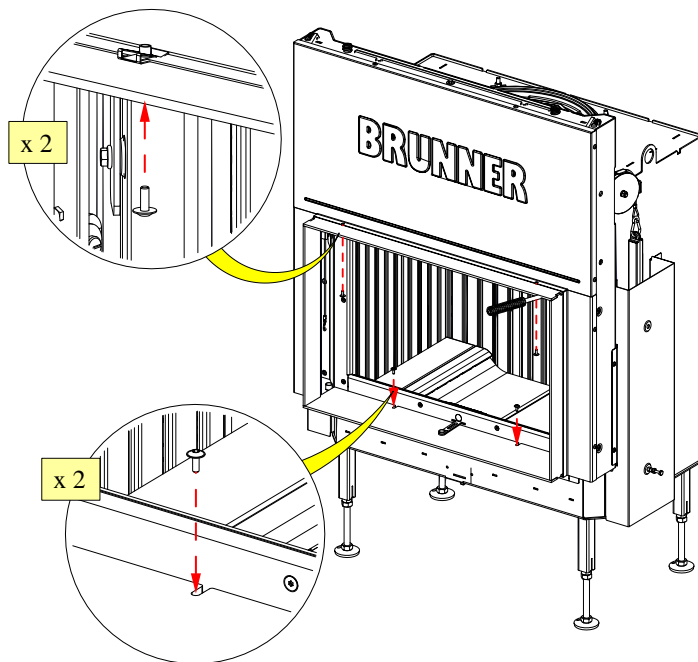
*Workflow :*



2

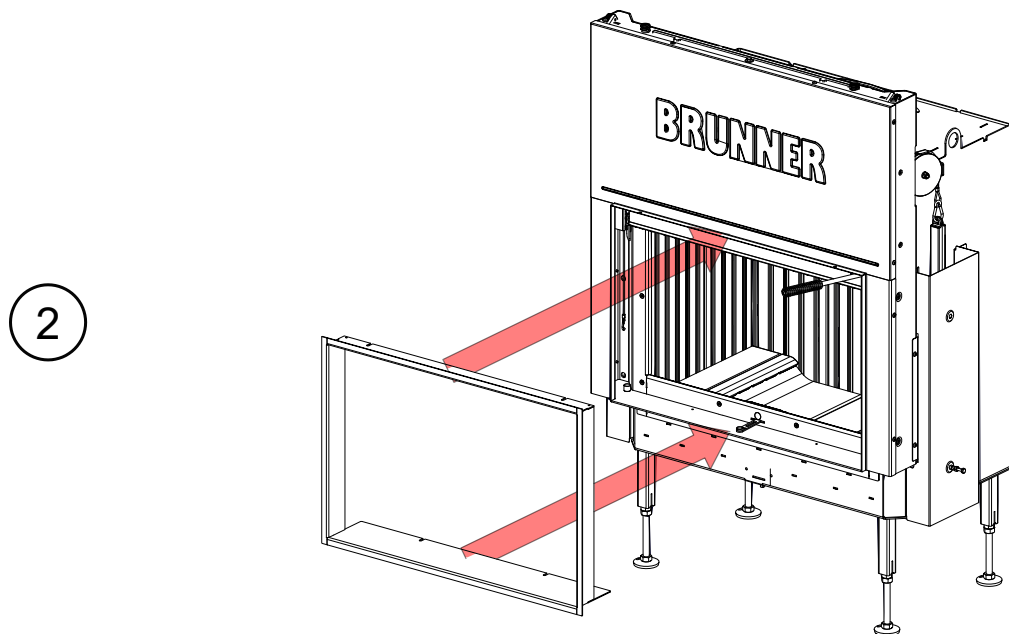
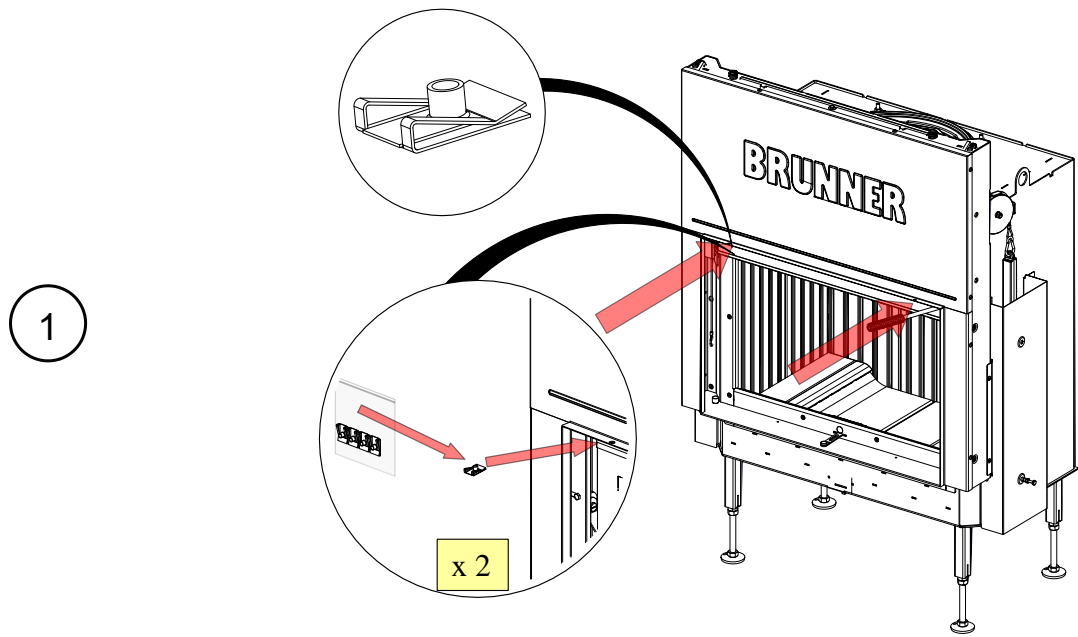


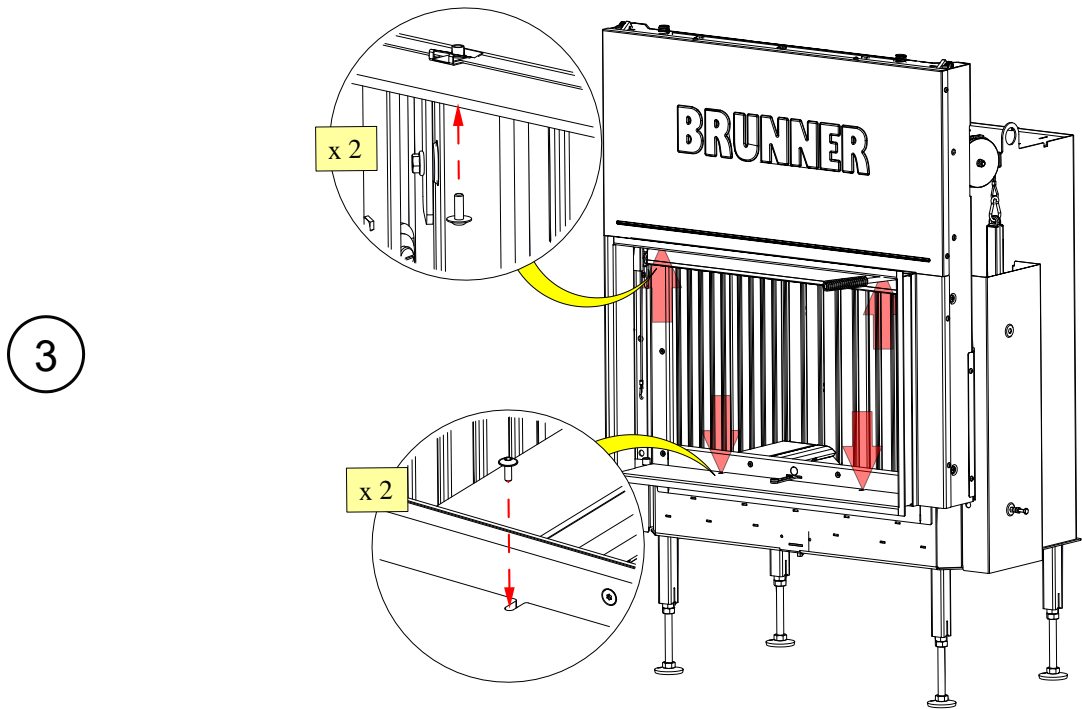
3



**Mounting: door frame**

*Workflow:*

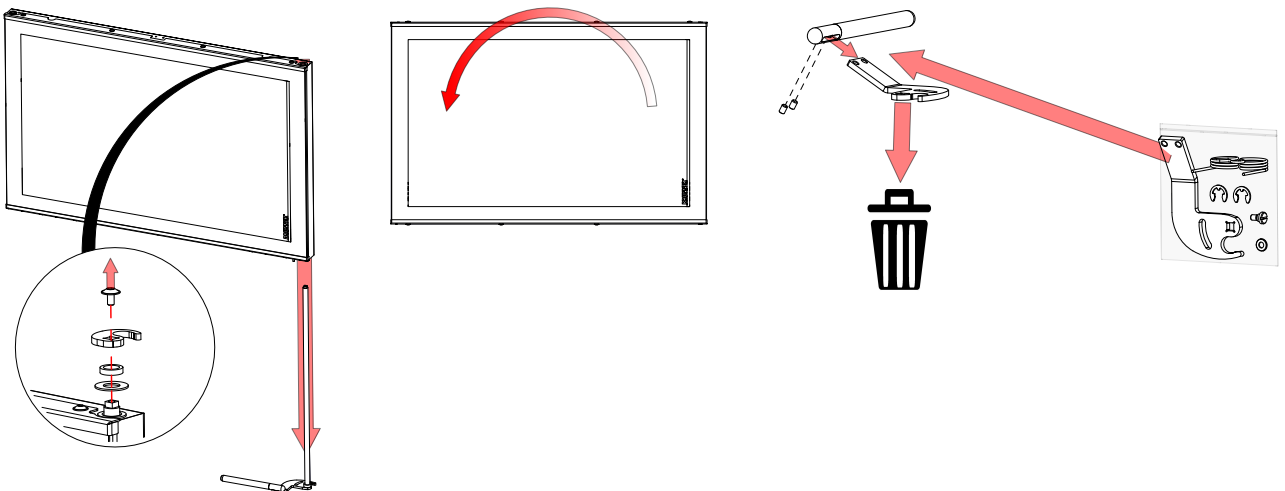
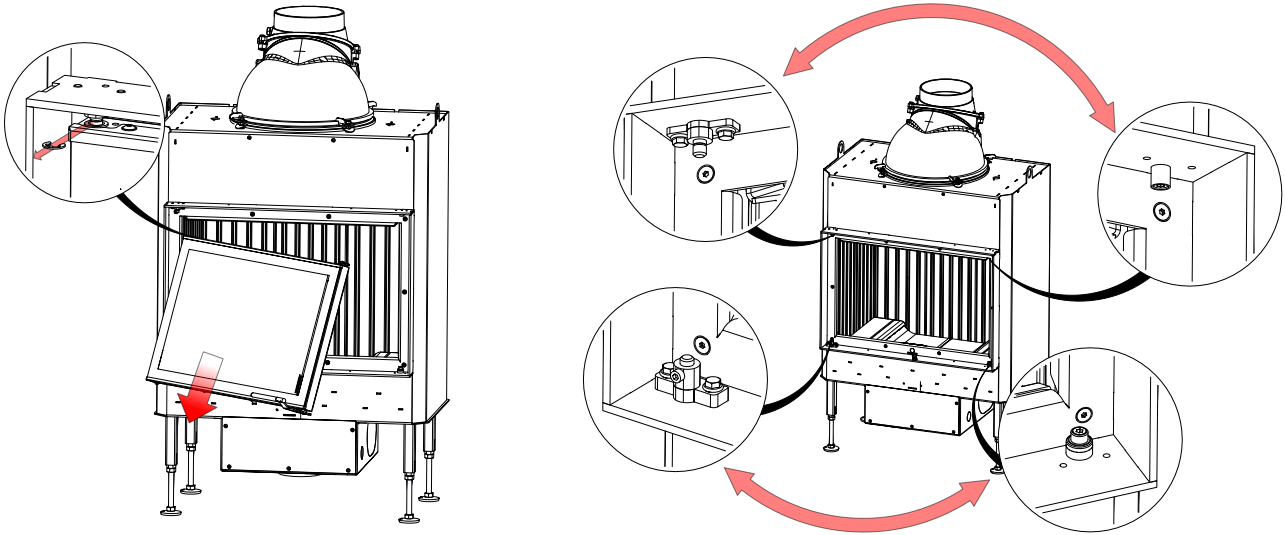


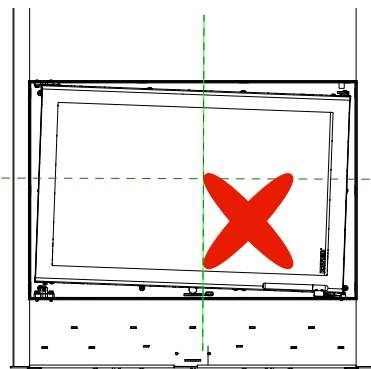
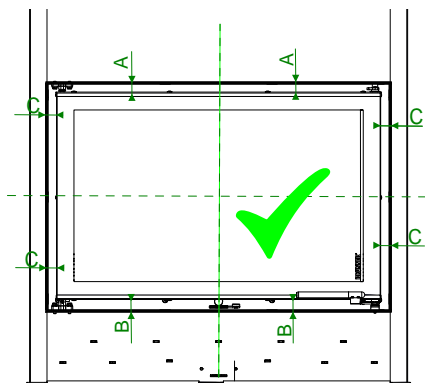


# 11 CONVERSIONS, SETTINGS

## 11.1 CHANGE OF THE DOOR STOP

*Summarised information:*





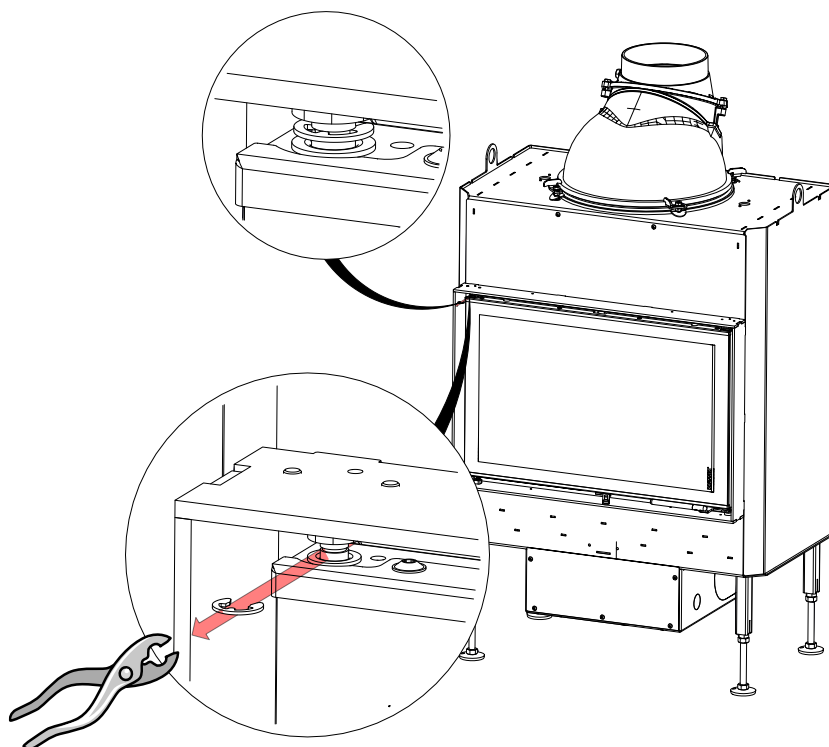
Adjust door !!

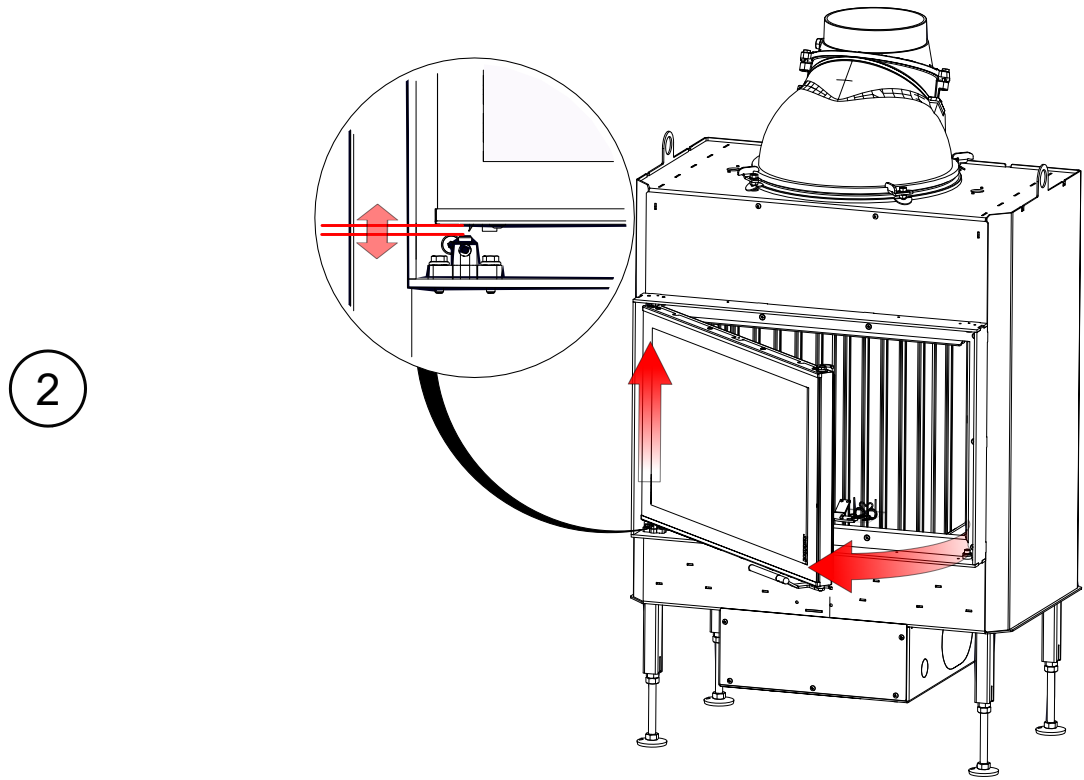
The door must be aligned vertically and horizontally. When the door is closed, the sealing cord of the door must be tight to the body.

Additional info: <https://www.brunner.de/de/>

*Workflow:*

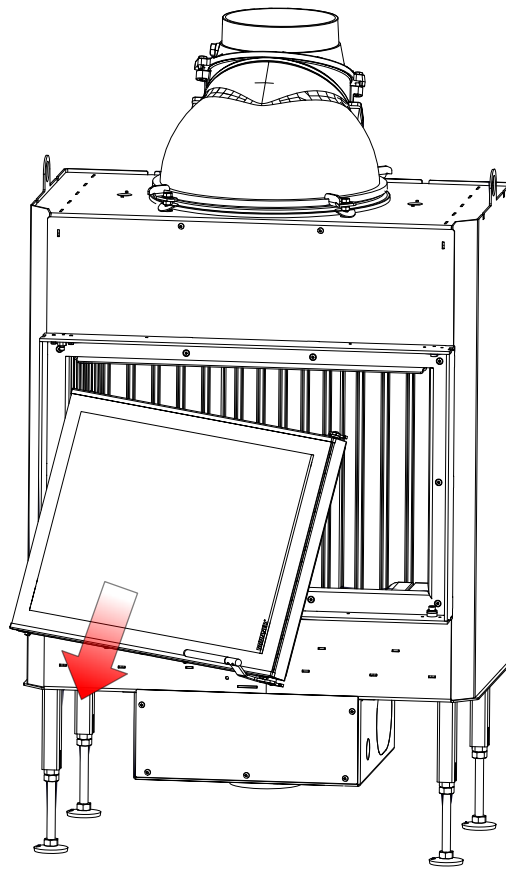
1



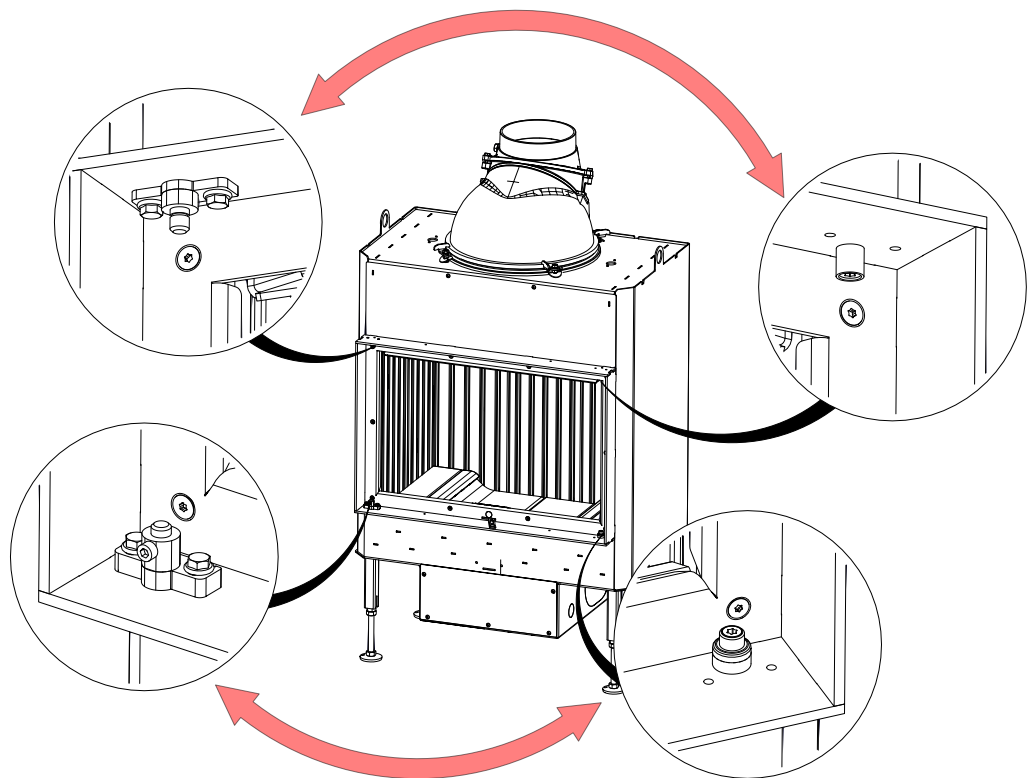




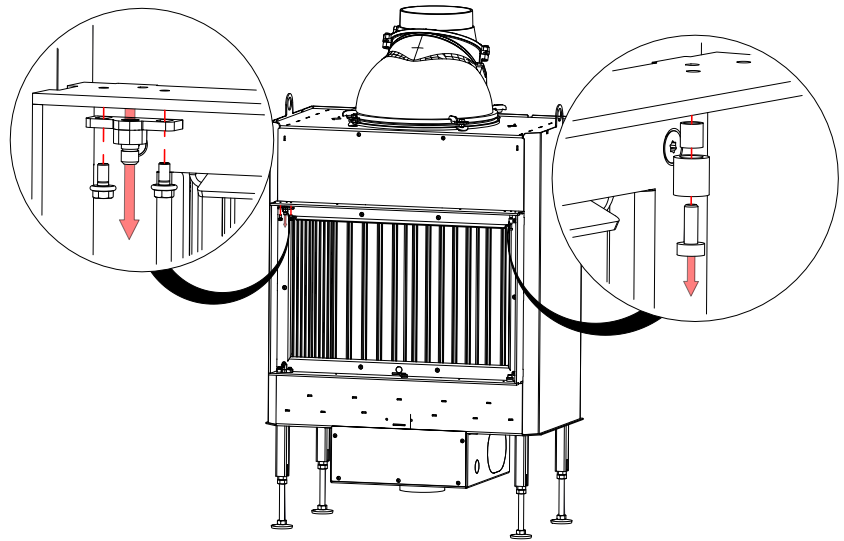
3



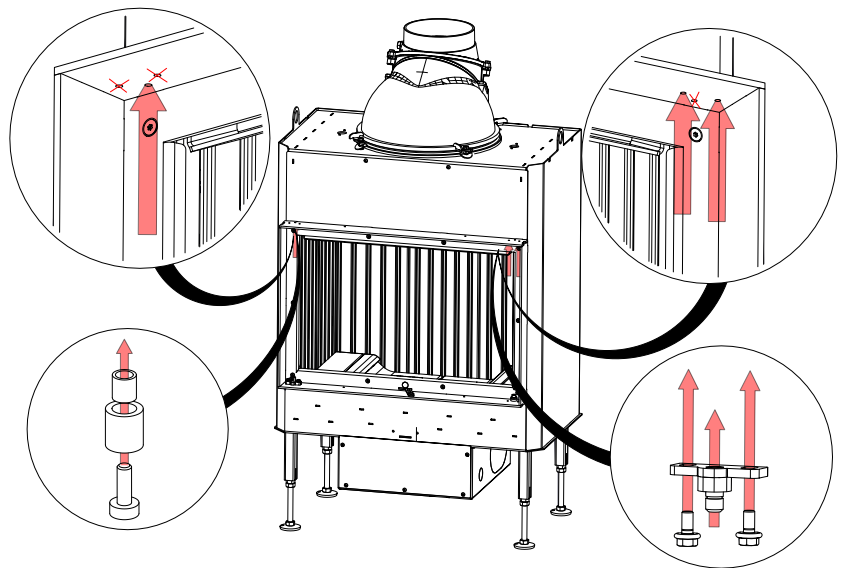
**i**



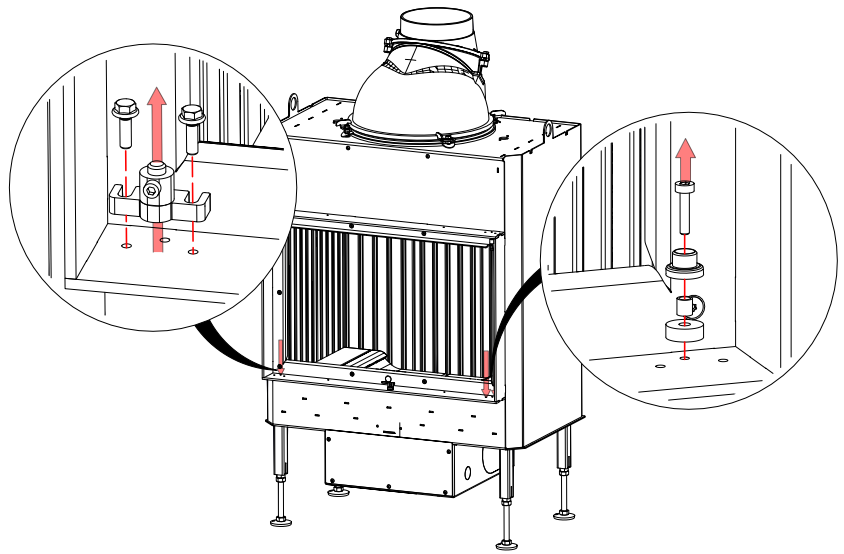
4



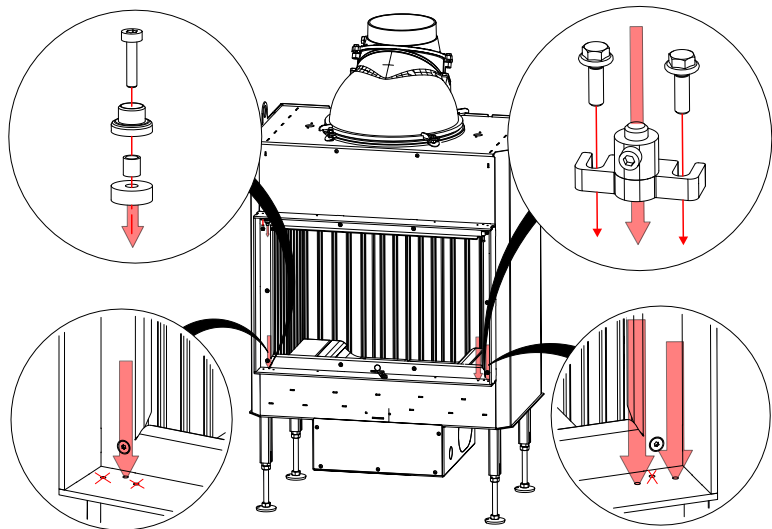
5



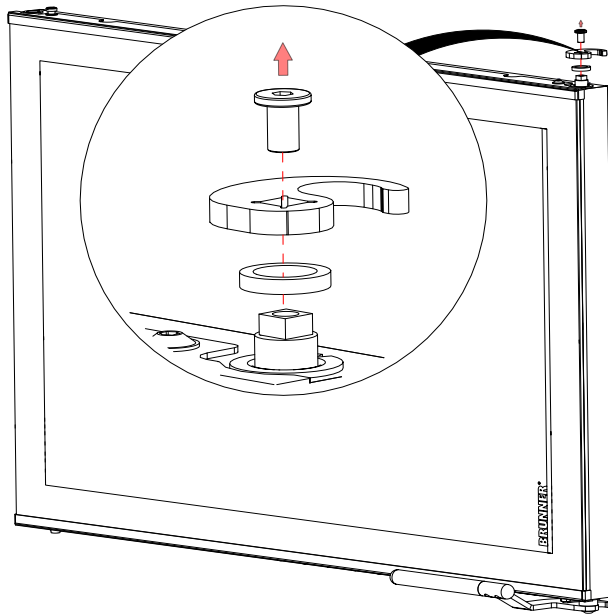
6



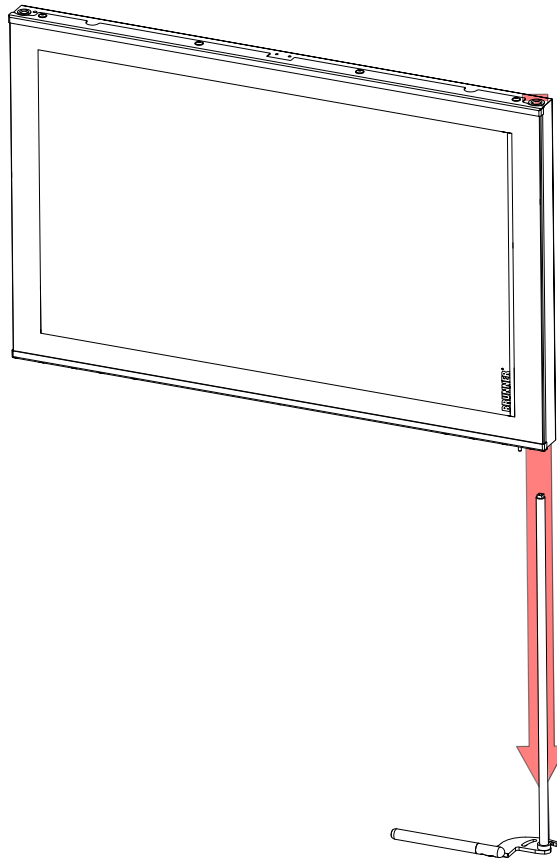
7



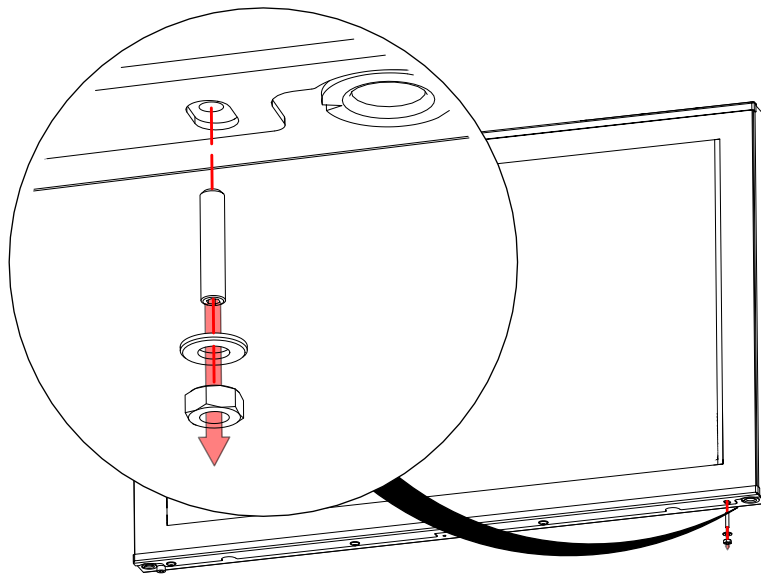
8



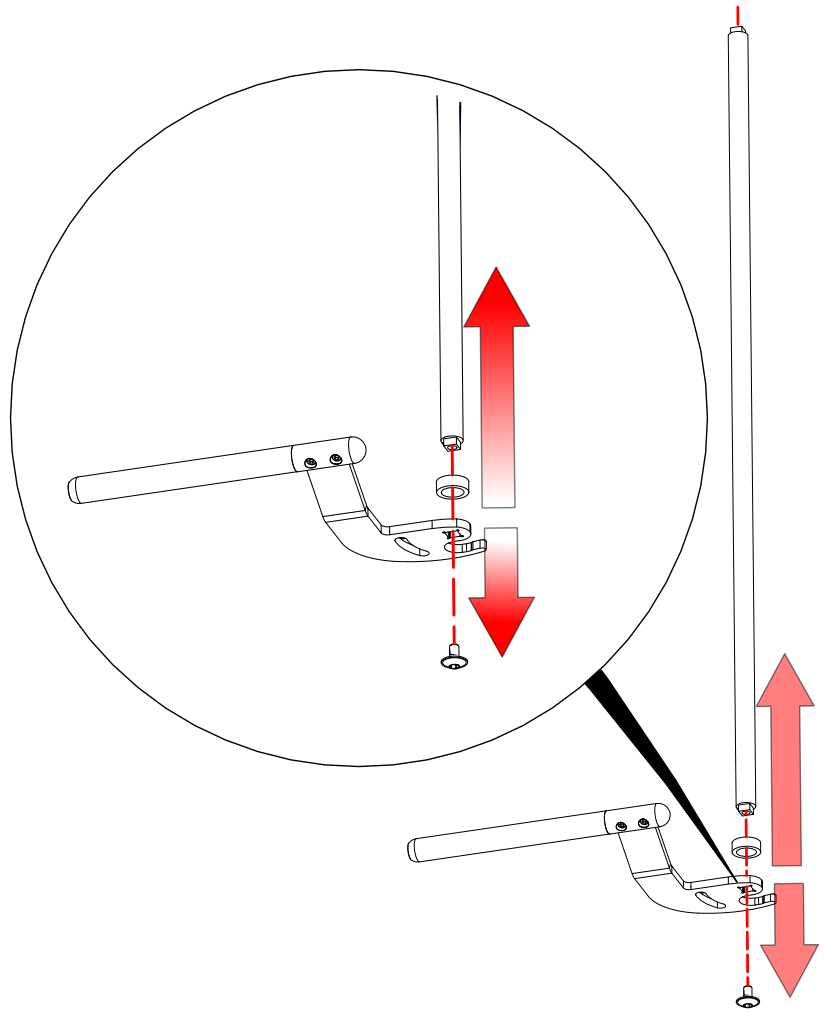
9



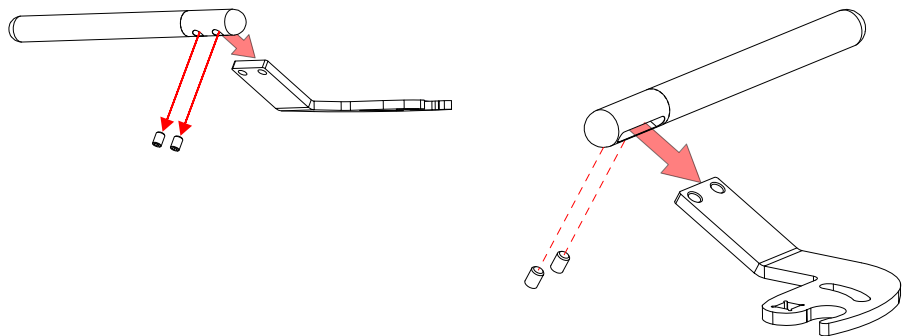
10



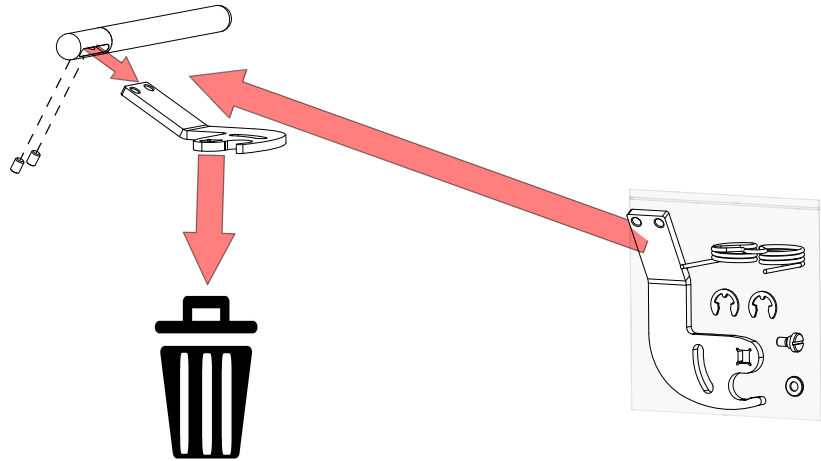
11



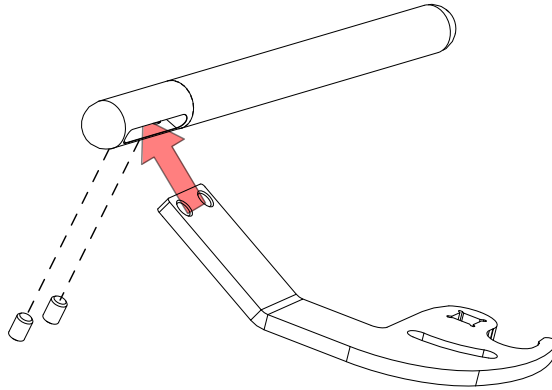
12



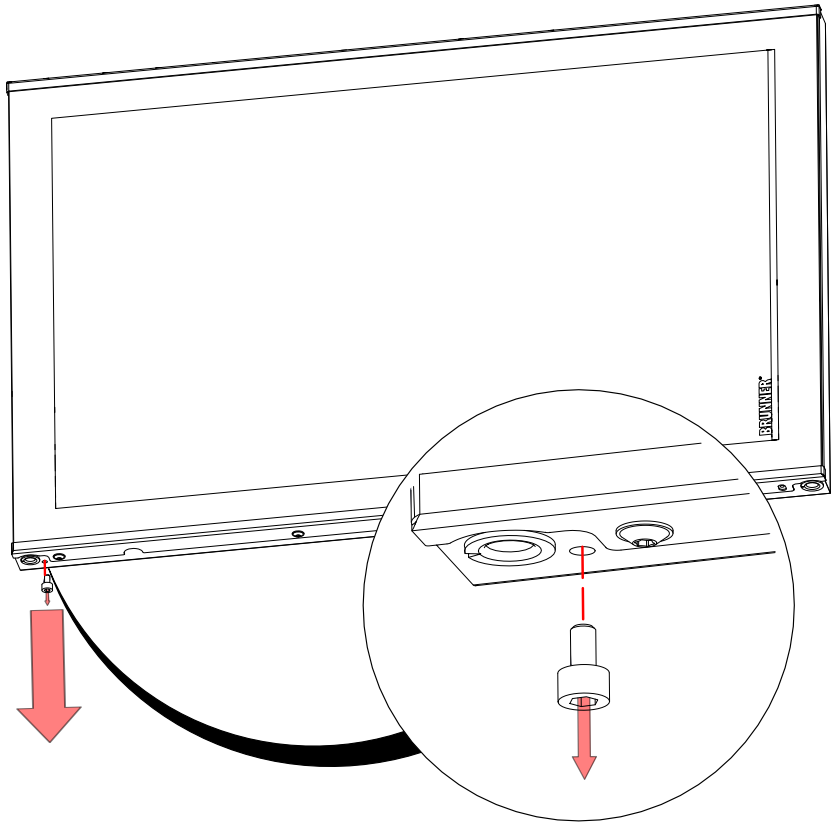
13



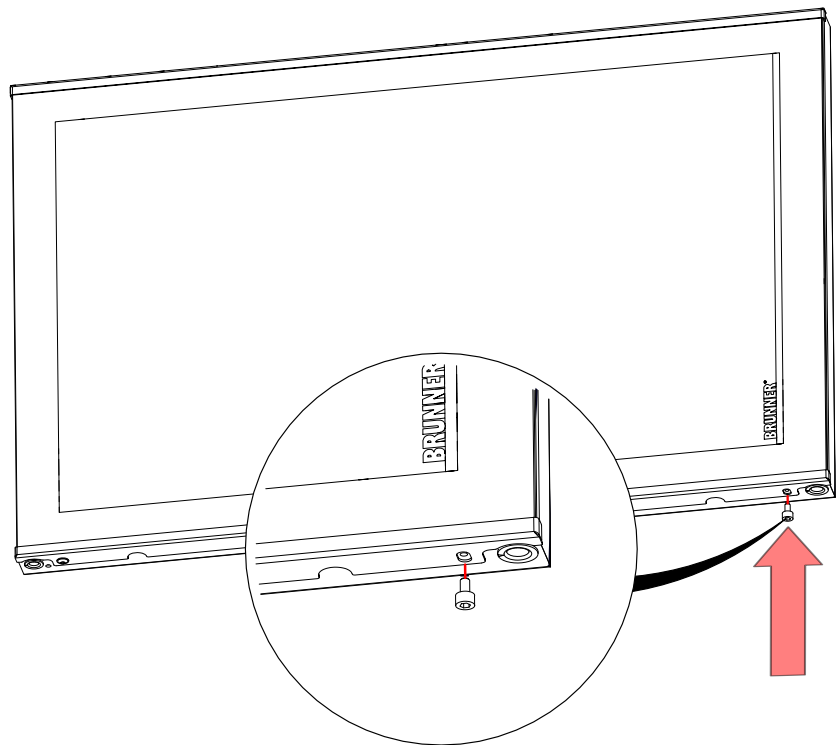
14



15

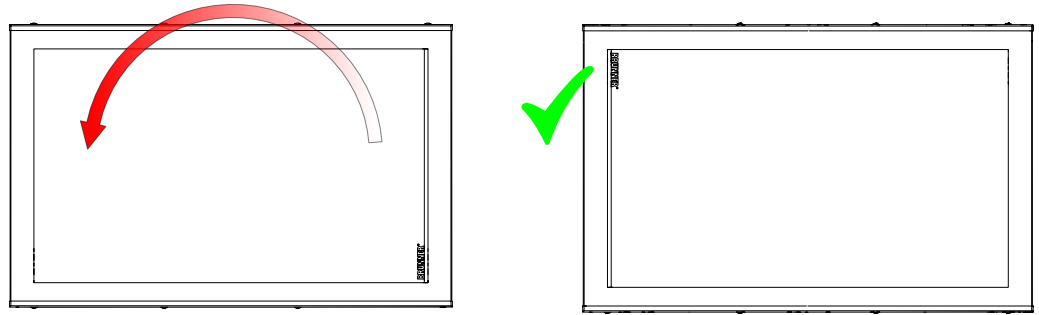


16

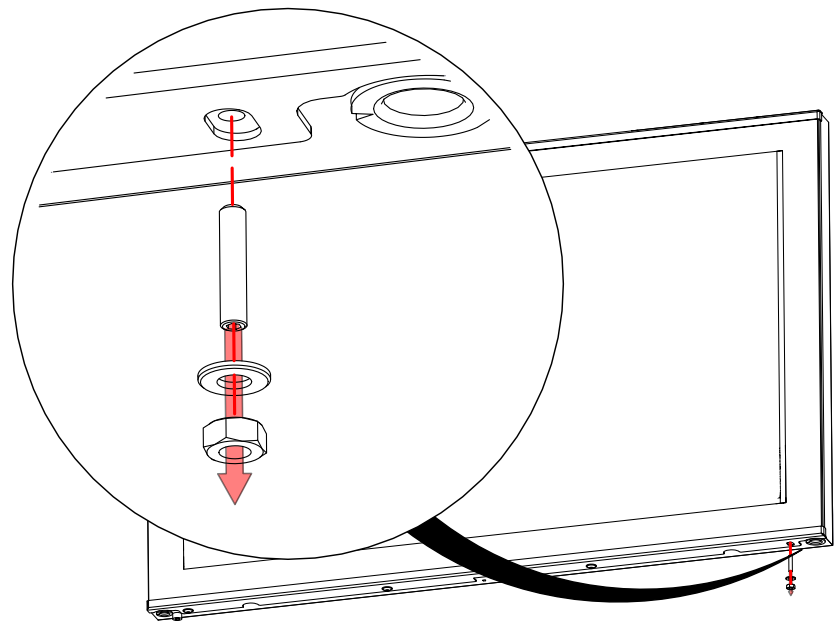




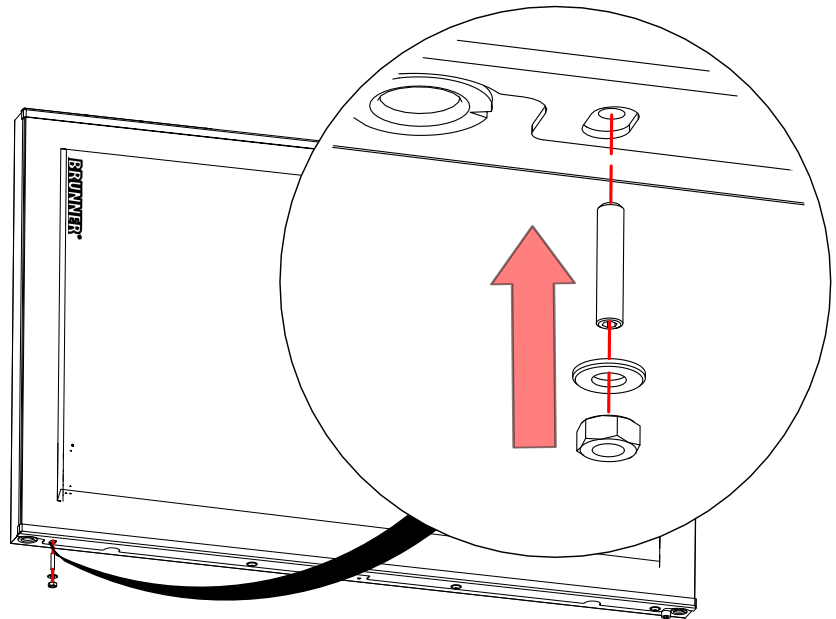
17



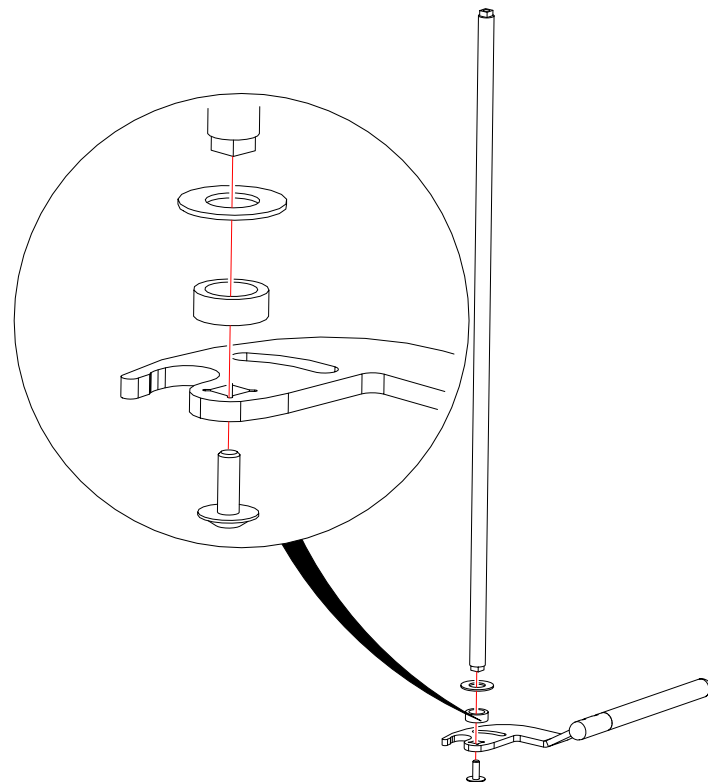
18



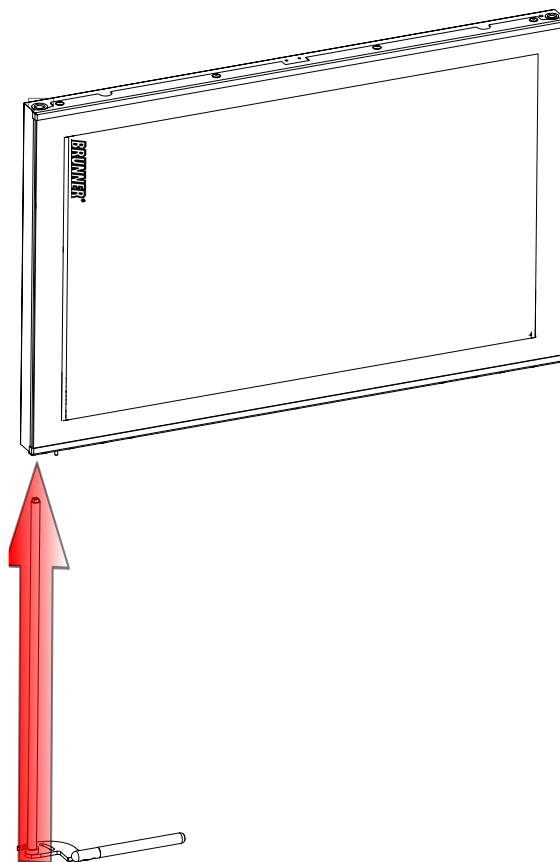
19



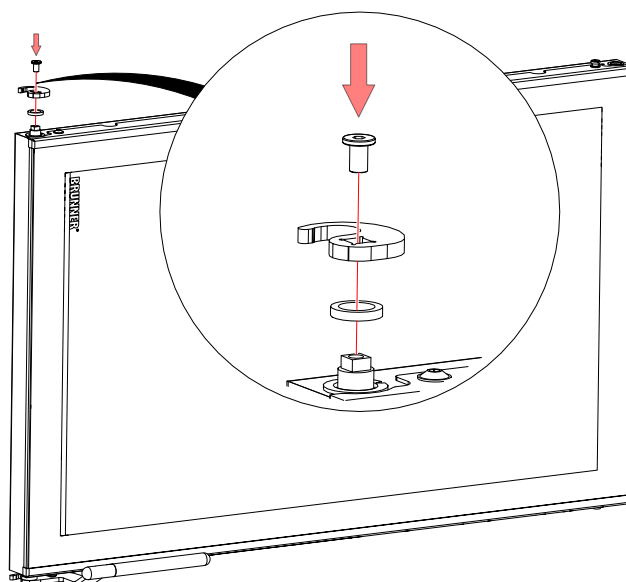
20



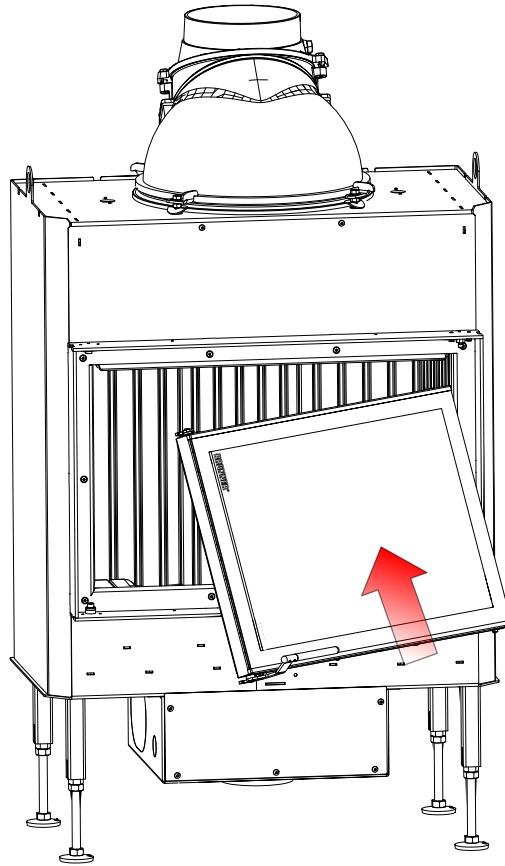
21



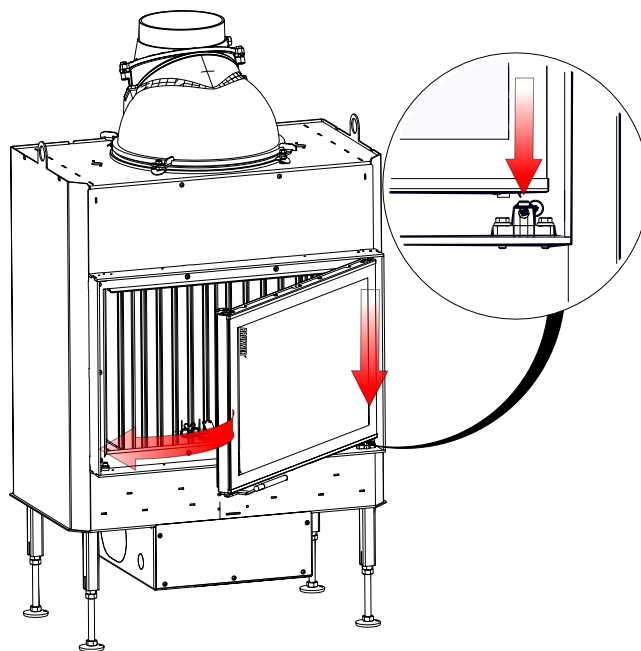
22



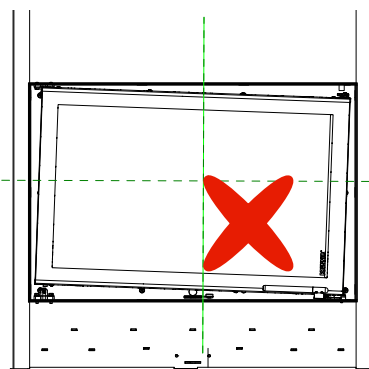
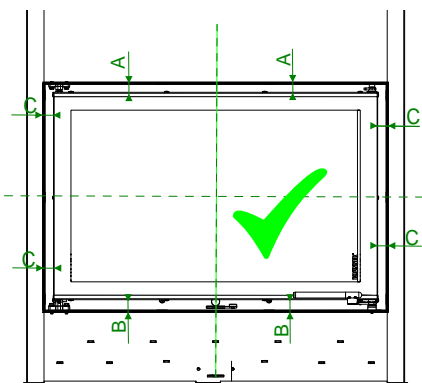
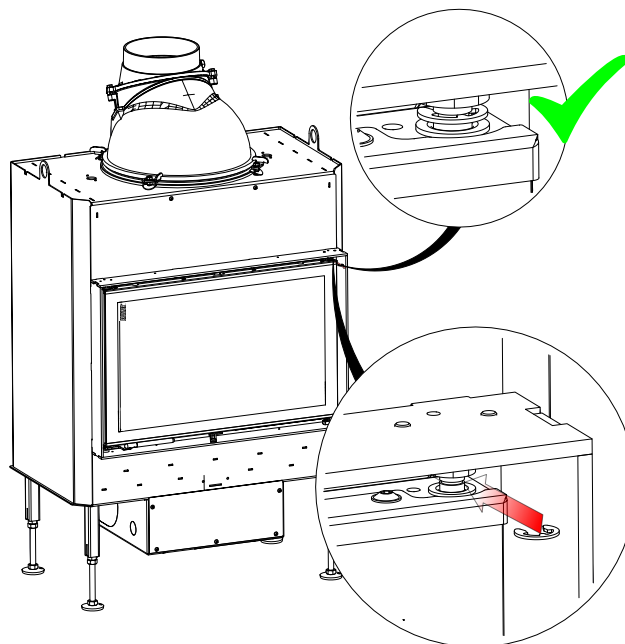
23



24



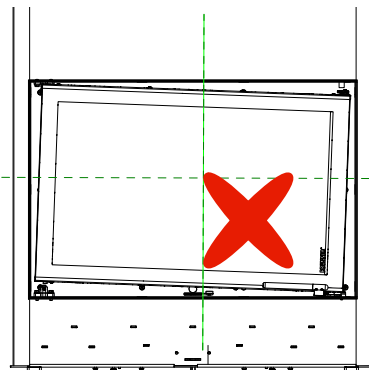
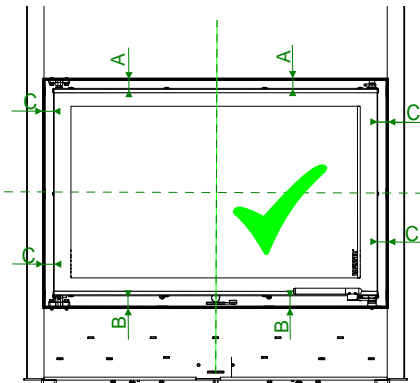
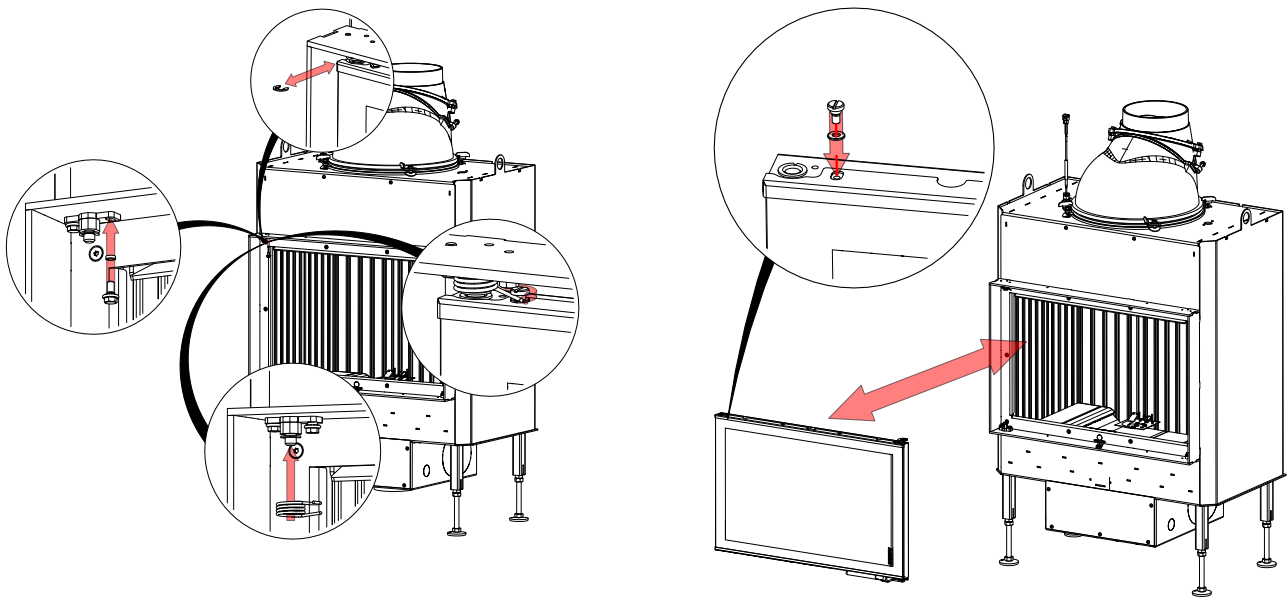
25



Adjust door !!

The door must be aligned vertically and horizontally. When the door is closed, the sealing cord of the door must be tight to the body.

## 11.2 ADJUSTING OF SELF-CLOSING DOOR



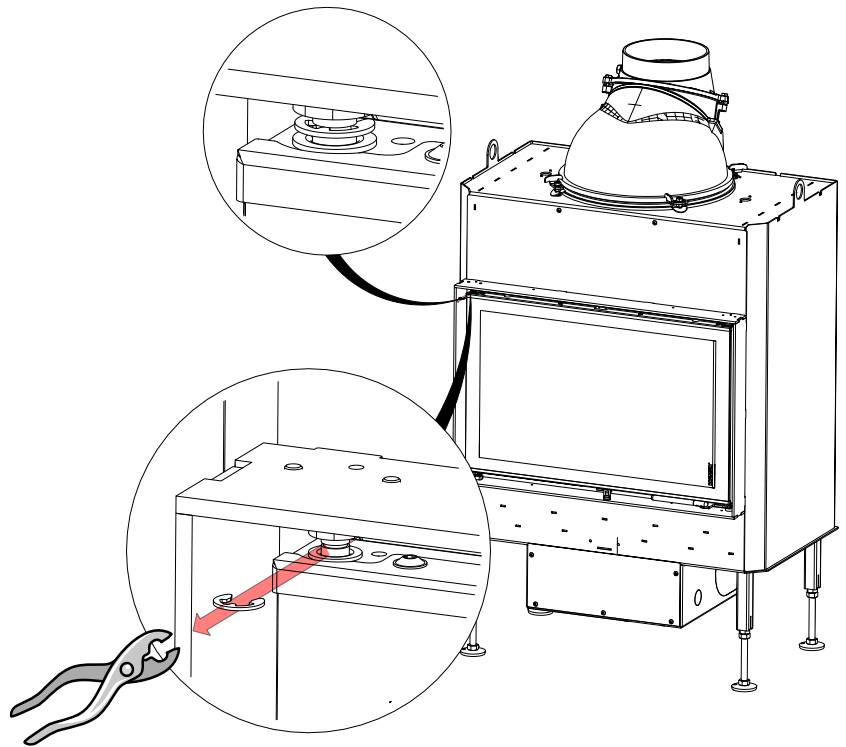
**Adjust door !!**

The door must be aligned vertically and horizontally. When the door is closed, the sealing cord of the door must be tight to the body.

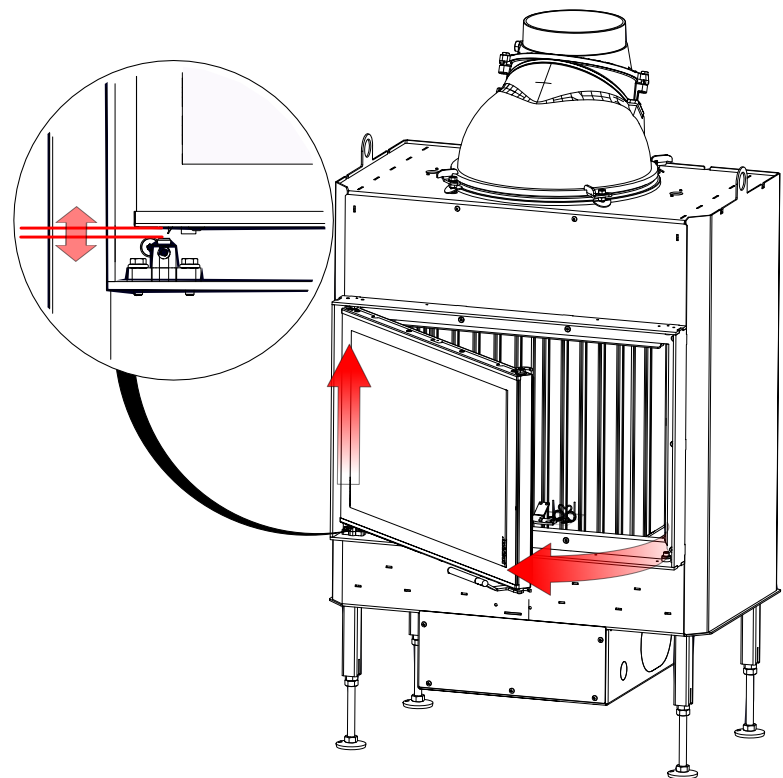
**Version : BKH with side-opening door**

-> without self-closing

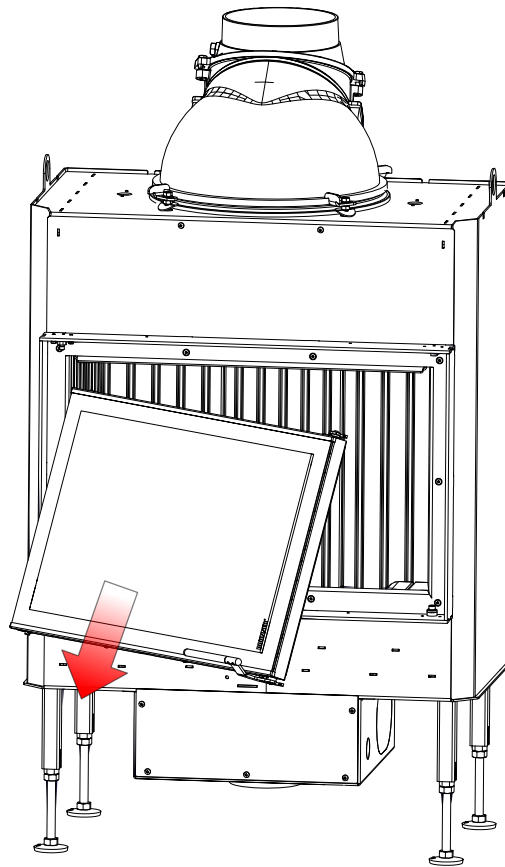
1



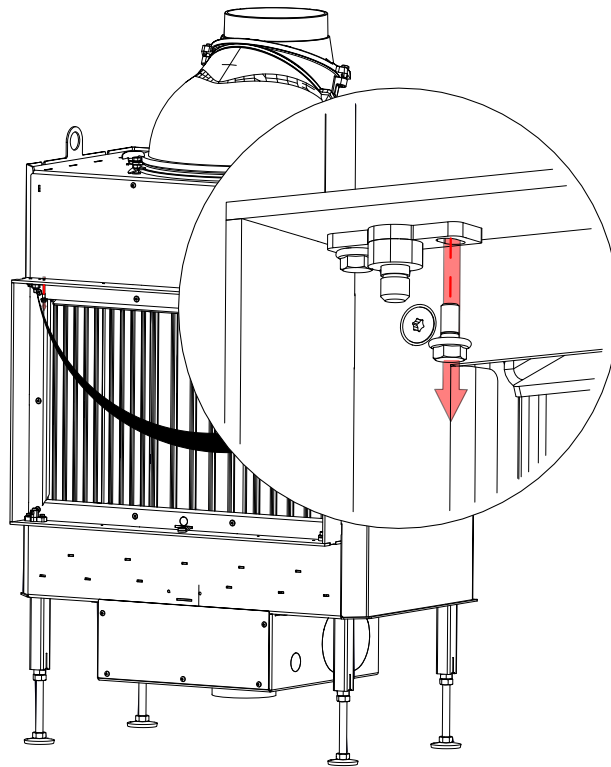
2



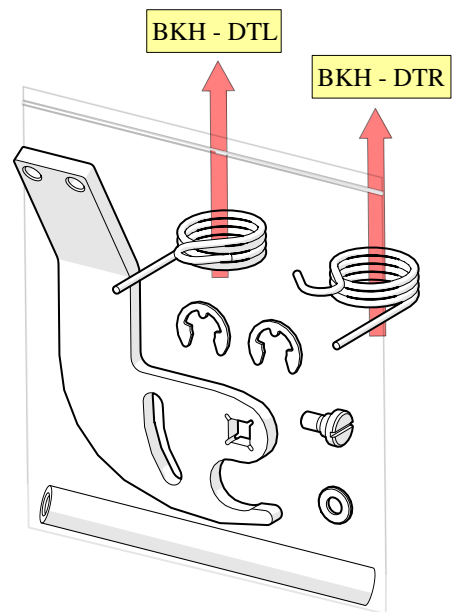
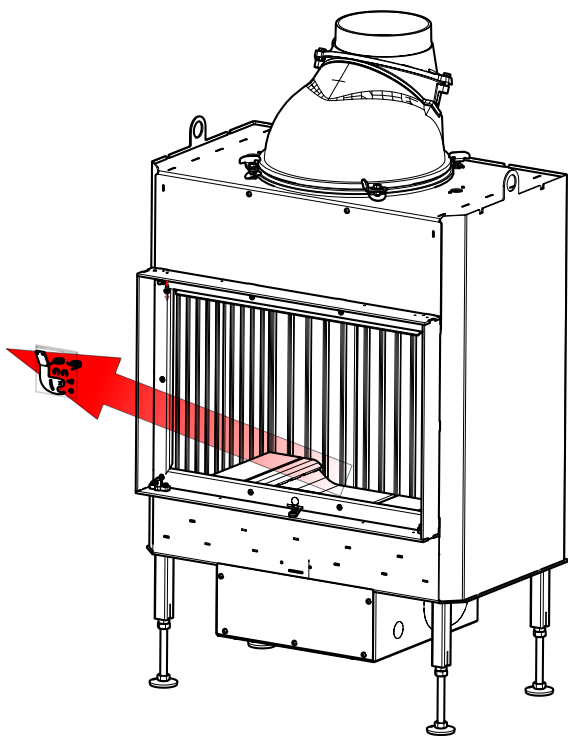
3



4

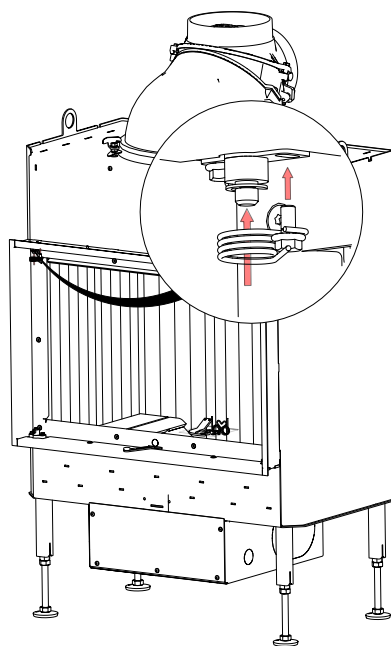




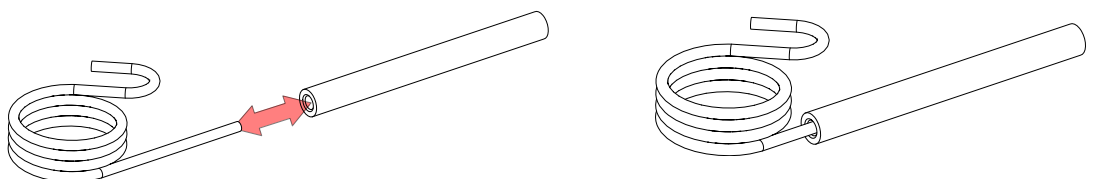


DTL = side-opening door - left side  
DTR = side-opening door - right side

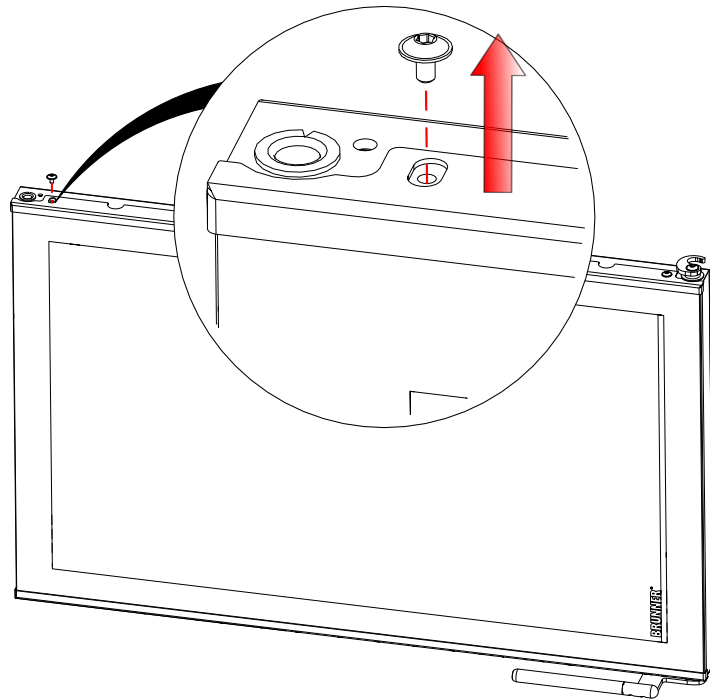
5



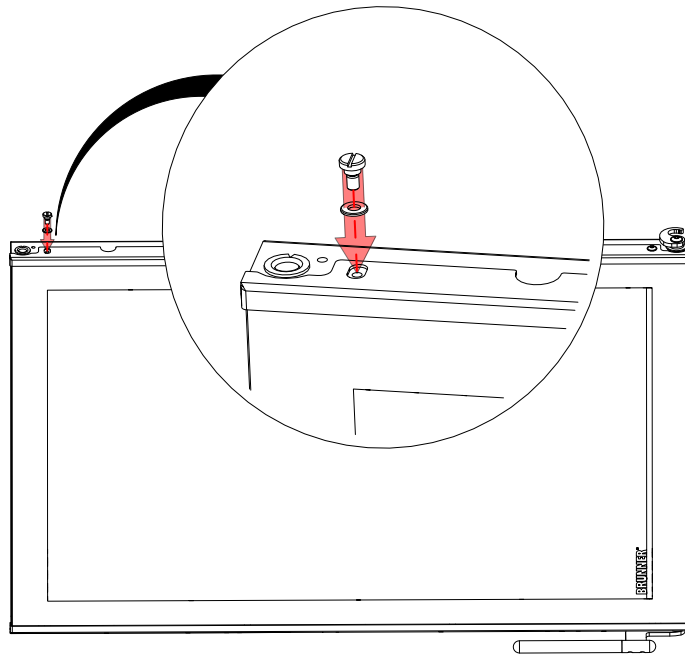
Mounting aid:



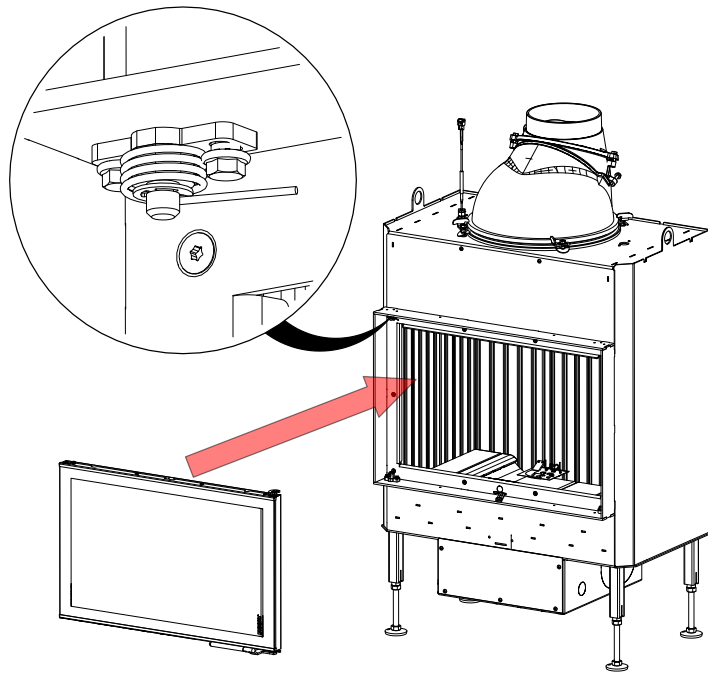
6



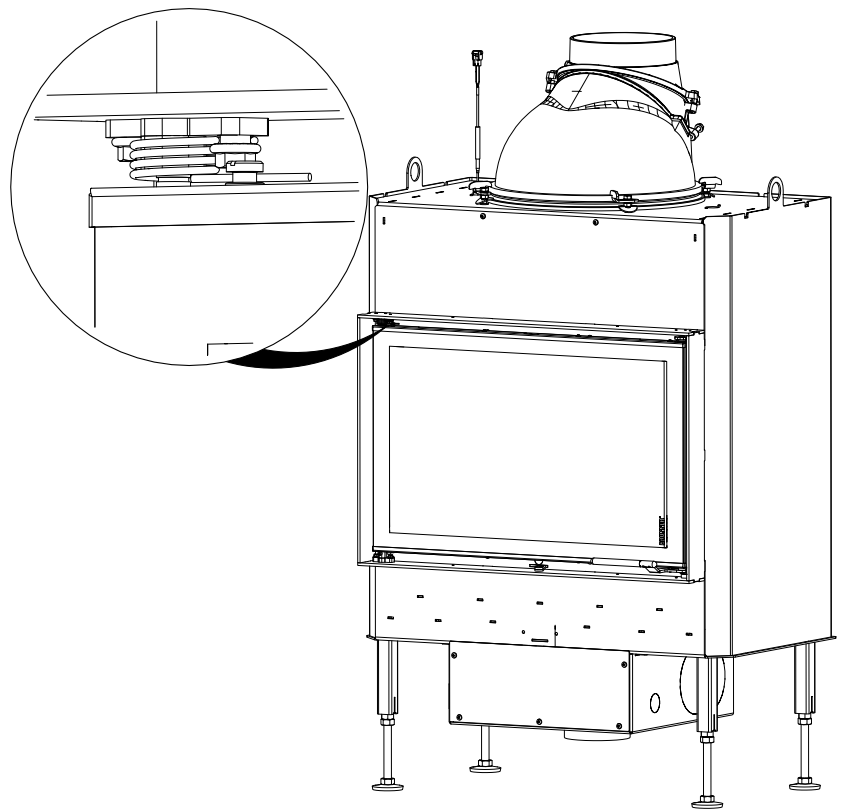
7



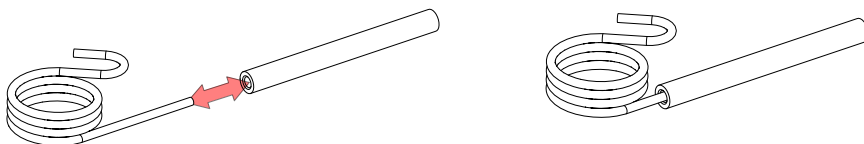
8



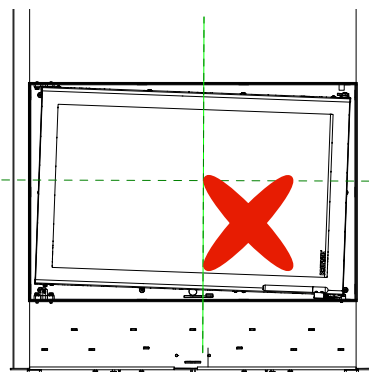
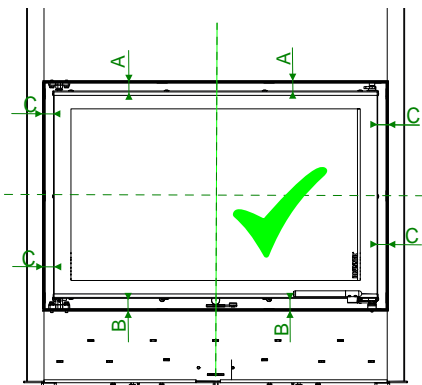
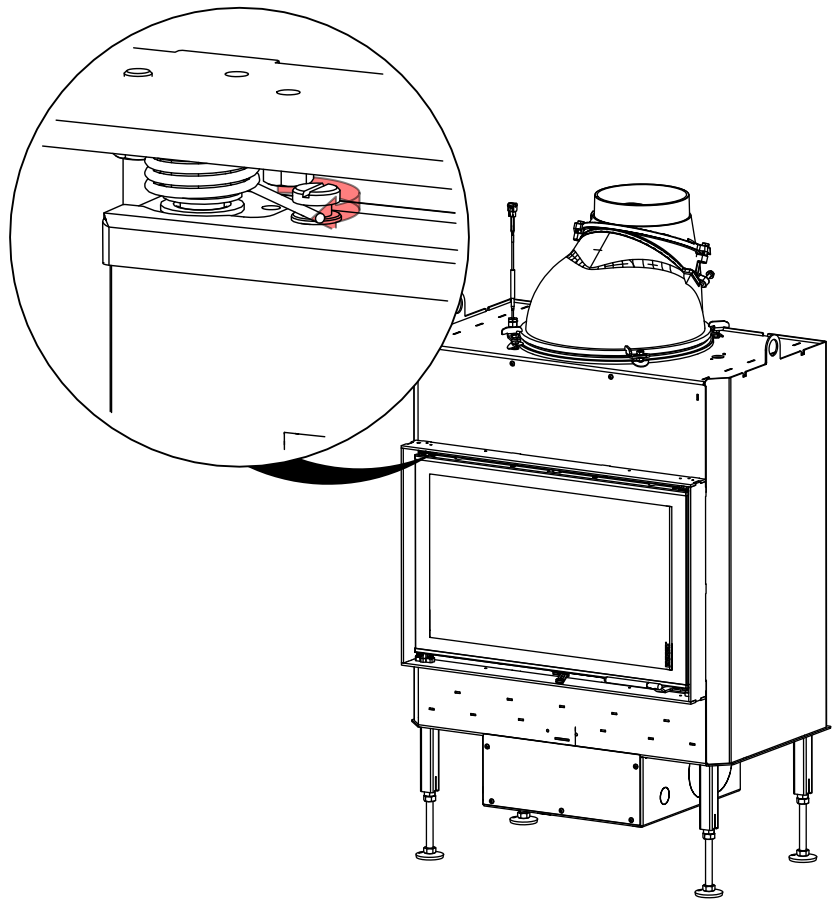
9



Mounting aid:



10



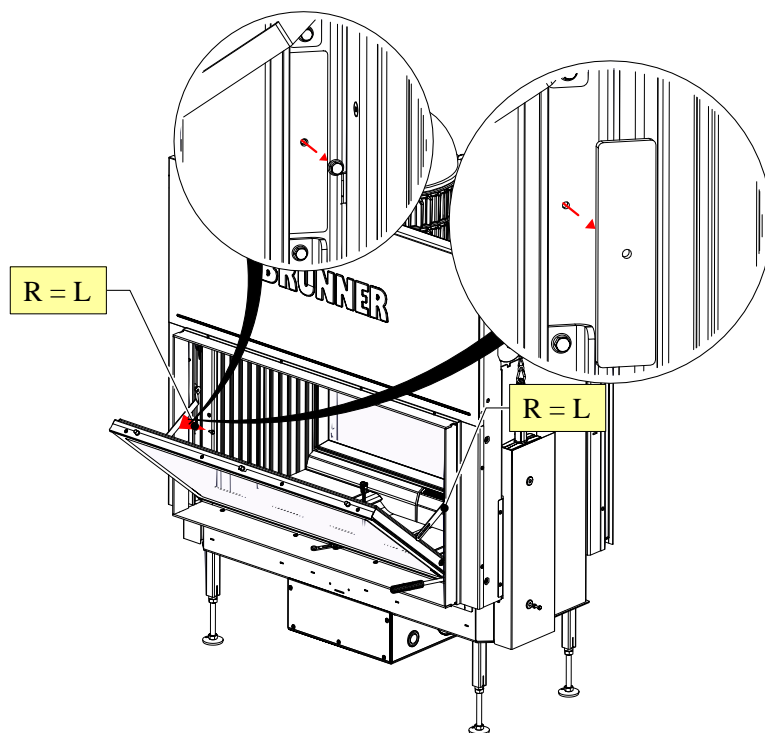
Adjust door !!

The door must be aligned vertically and horizontally. When the door is closed, the sealing cord of the door must be tight to the body.

**Version : BKH with lifting door**

-> Self-closing is active in the delivery state..

### 11.3 MODIFICATION - LIFTING DOOR: "NON SELF CLOSING"

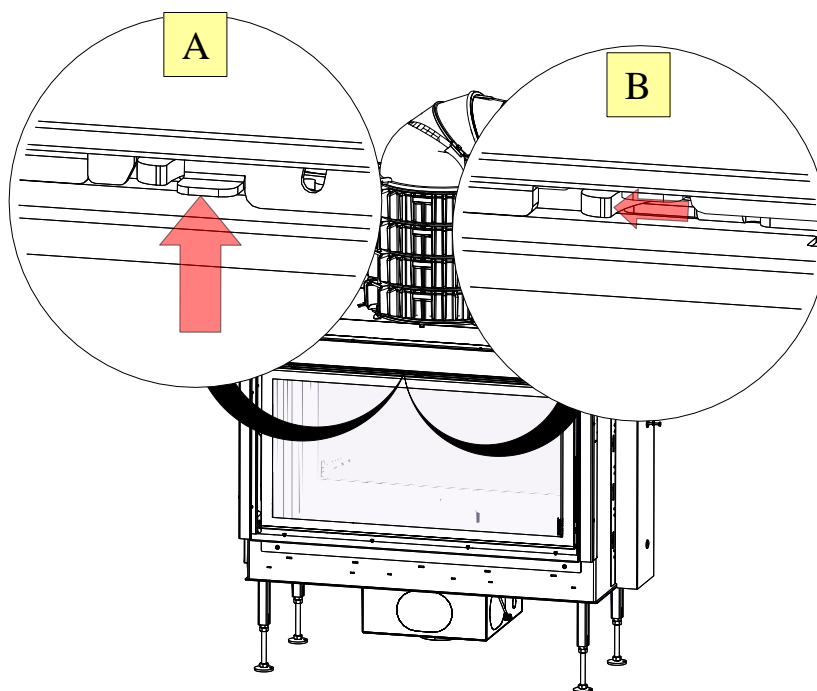


Im. 12: Summarised information

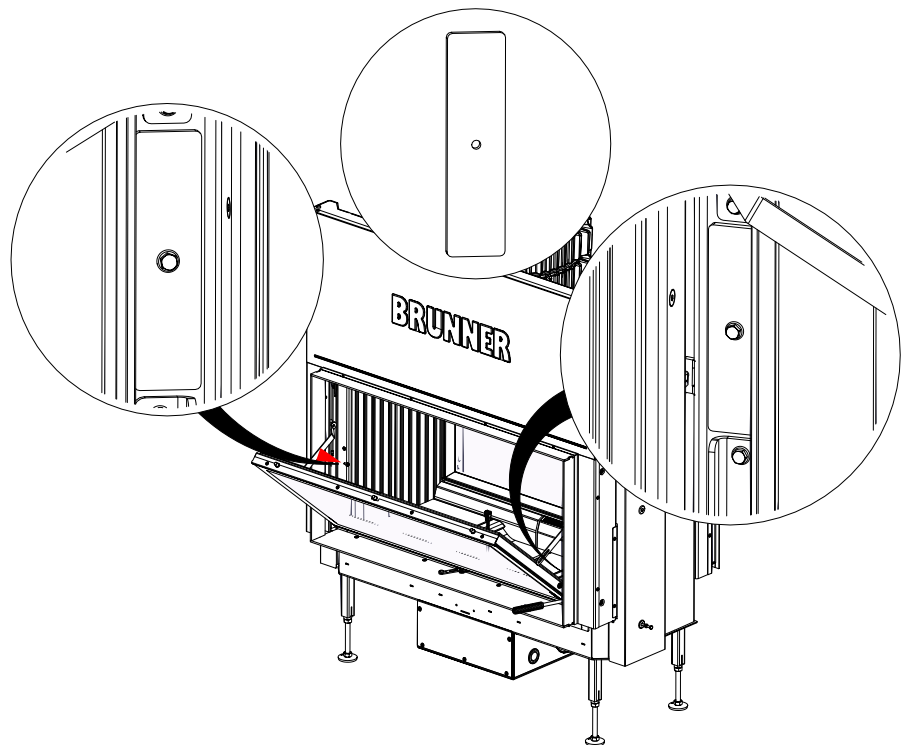
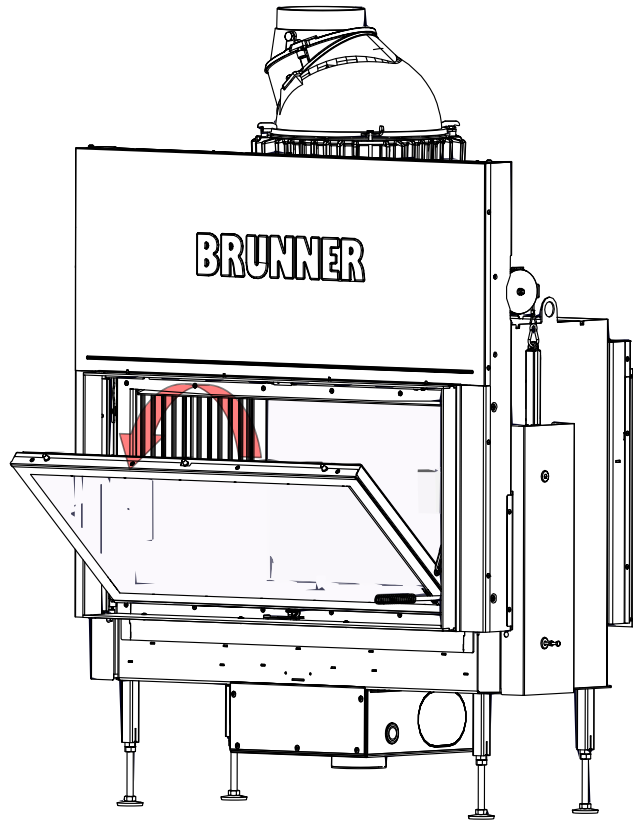
R = right side  
L = left side

Workflow:

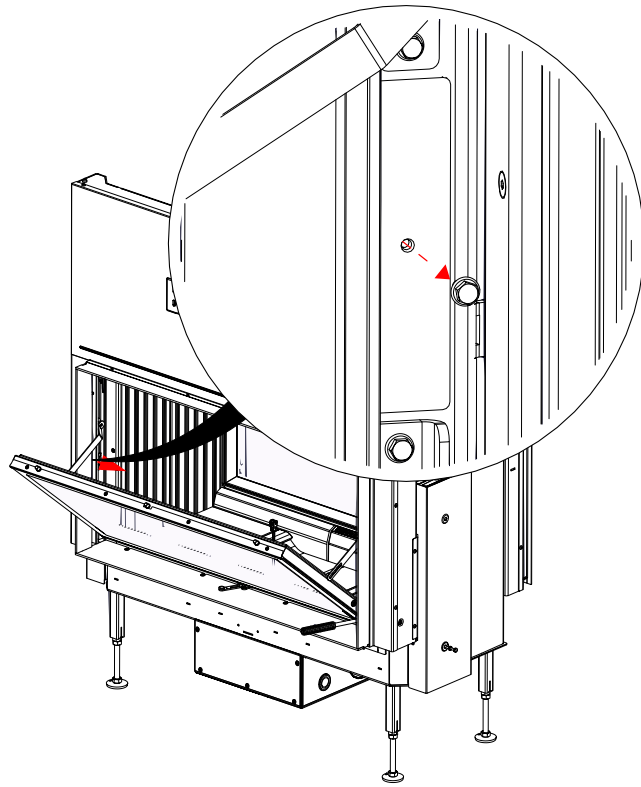
1



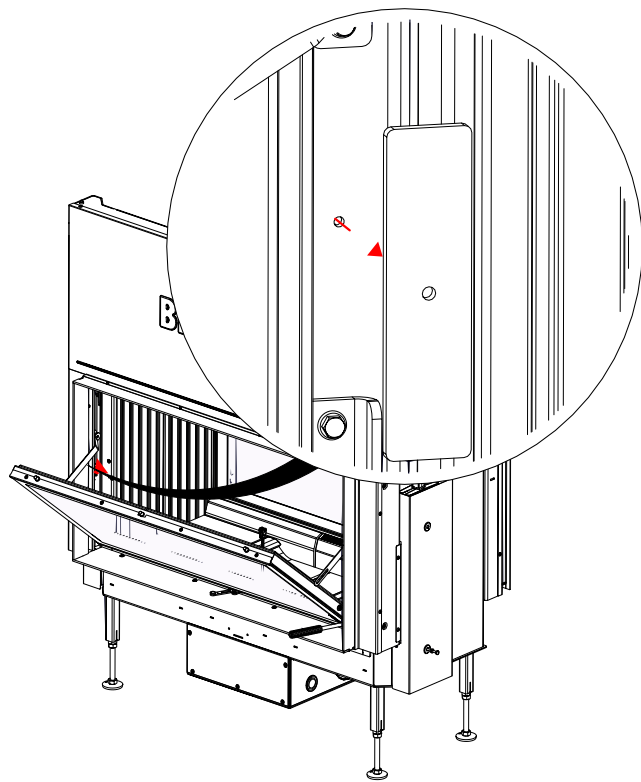
2



3



4



## 11.4 RETROFITTING EAS/EOS

Retrofitting an EAS or EOS is possible for BKH appliances in the 5.0 series. If retrofitting is desired, this must be specified when ordering. A few preparatory measures must be taken for retrofitting EAS/EOS, which are listed below.

Preparatory measures	Remark
Pull-in cable for thermal sensor	Pre-assembled at the factory
Possible opening for thermal sensor installation and EAS installation from the front	Advantageous, but not absolutely necessary
Empty conduits for EAS. power supply or EOS control unit	
Empty conduits between flush-mounted box for EAS (with and without display) or EOS control unit and appliance	
Empty conduits between the flush-mounted boxes control unit and display	for EOS
Control option	Provide relay A4

## 12 DISPOSAL

Old equipment contains valuable materials that must be recycled. Observe the applicable national legal regulations for disposal.



Danger of electrocution.

Electrical connections of the furnace system are under mains voltage. This can lead to electric shock.

Switch off the power supply

Secure power supply against restart.

Old metal parts can be disposed of as metal recycling.

Electrical and electronic components must be disposed of as electronic waste. Fireclay linings can be disposed of as rubble.

Fireclay linings can be disposed of as rubble.



Dispose of insulating and insulating materials of the heating or fireplace insert in a closed container on a suitable waste disposal site.

Do not put the glass ceramic discs in the waste glass collection container! The glass panes can be disposed of as normal household waste.

### **Recycling of catalytic converters containing precious metals**

Oxidative catalytic converters, as installed in modern wood stoves, are very effective at reducing emissions of carbon monoxide and hydrocarbons. This is possible, because precious metals like platinum, palladium and rhodium are used on the surface of catalytic converters. These precious metals are distributed very evenly in very small amounts on the surface of catalytic converters. Over the years, the abrasive effect of particles streaming through the catalytic converter will cause the partial diminishing of the coating containing precious metals. Continuous overheating of catalytic converters ( $T > 700\text{ °C}$ ) will damage the coating. In certain cases, the catalytic converter should be replaced and a new converter must be installed to ensure the catalytic effect.

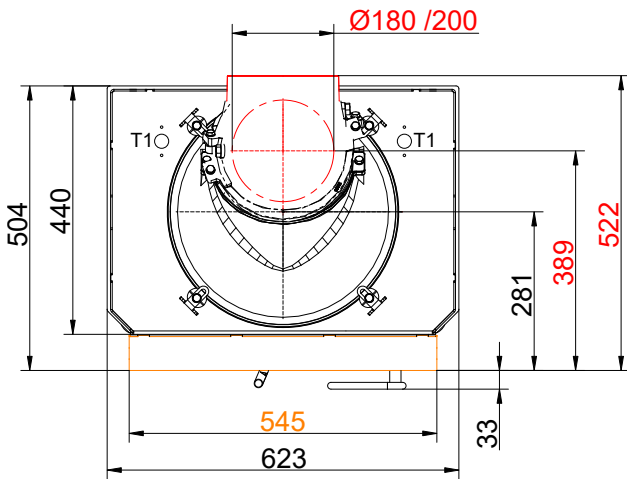
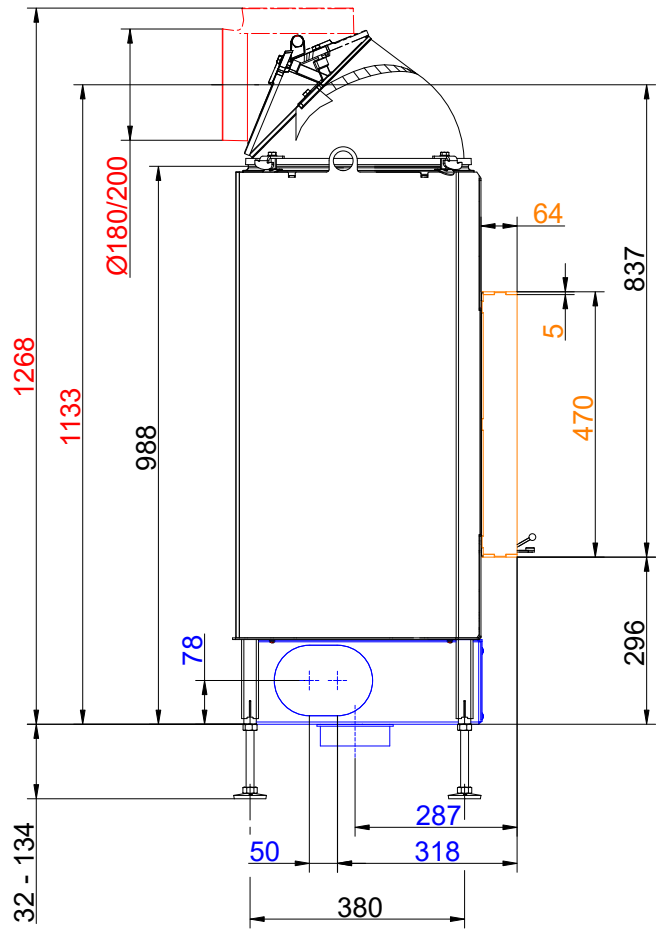
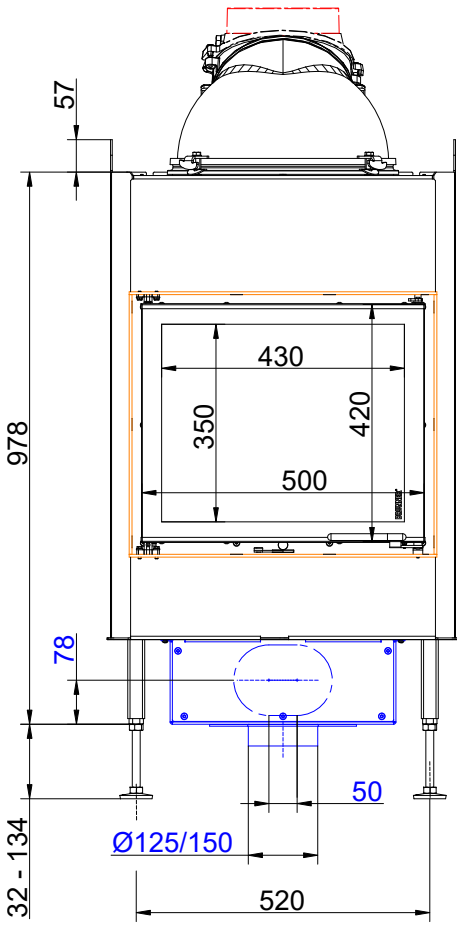
Used catalytic converters are suitable for re-use. Even if they are broken or damaged, they are suitable for recycling.

Contained precious metals can be recovered by thermal or chemical separation techniques to almost 90%, and then used again in the manufacturing process.

Please bring the used catalytic converter to a recycling center.

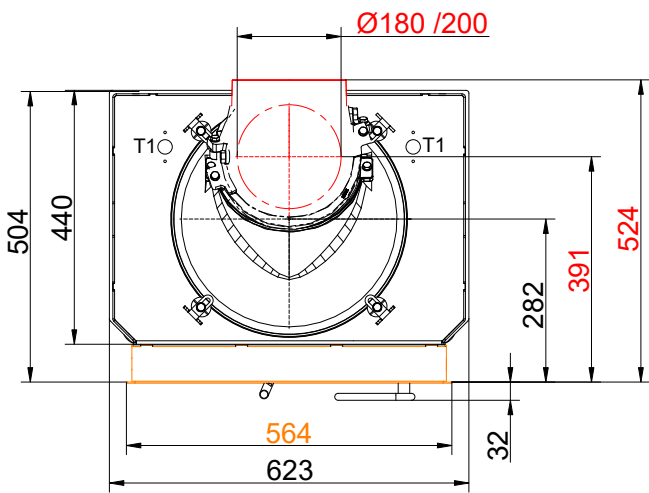
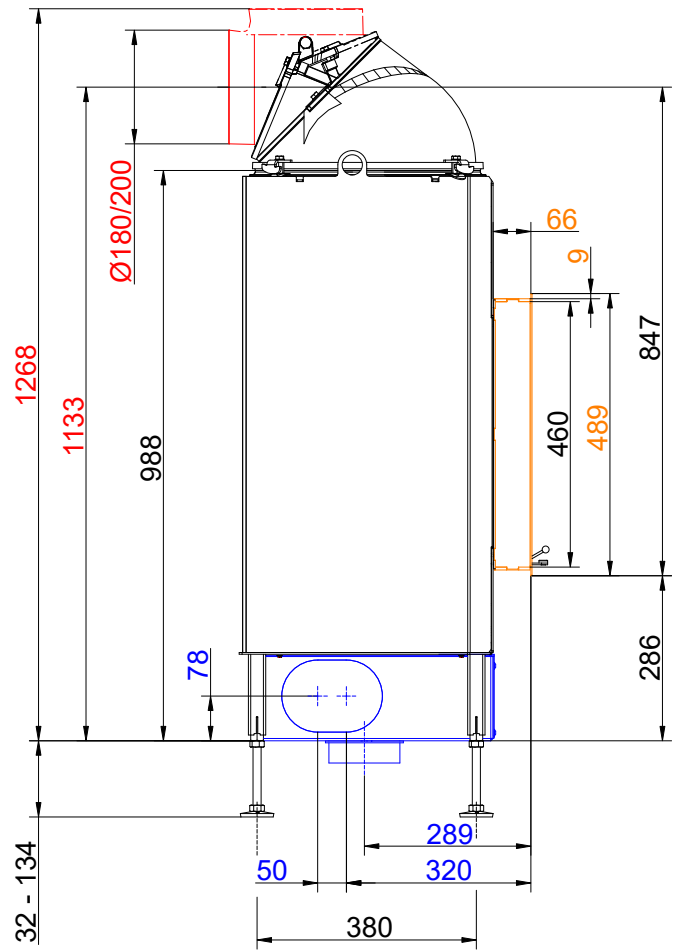
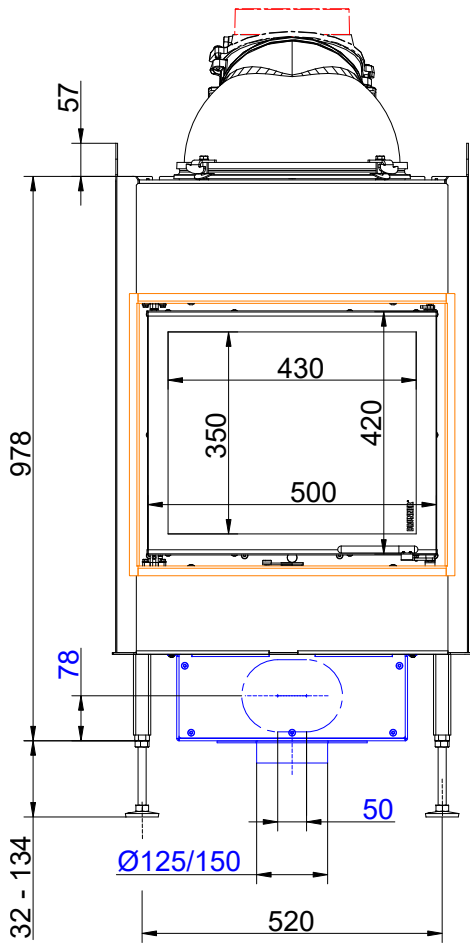
Thank you very much for your efforts in supporting the protection of environment and sustainable use of resources.

# Dimension sheets - BKH flat 42-50 green



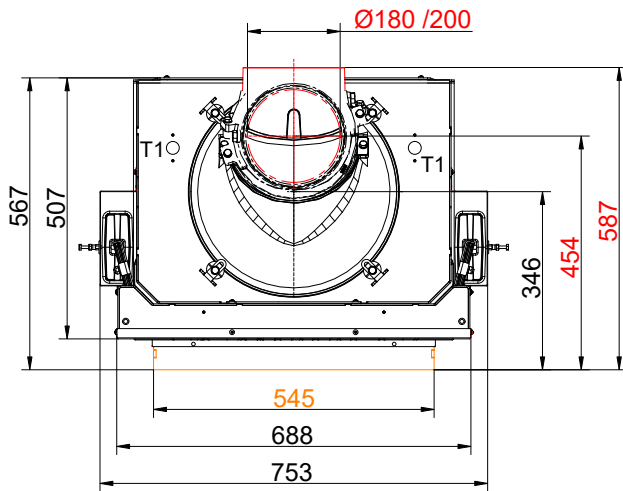
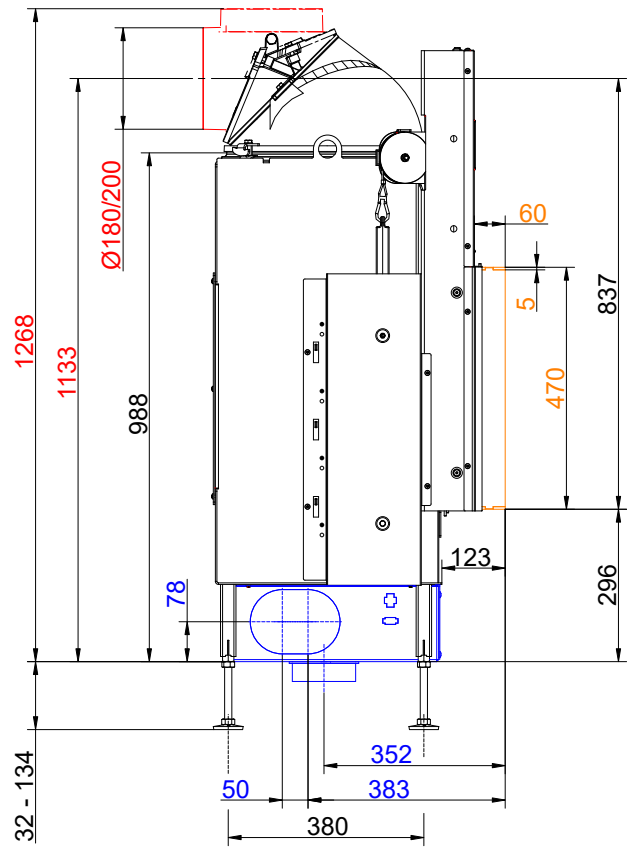
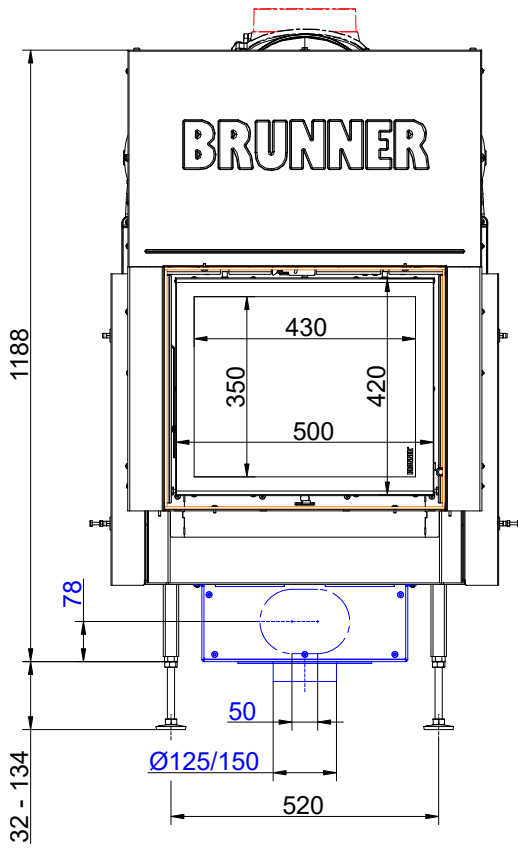
... mounting bracket with cast iron dome (side-opening door, DT)

# Dimension sheets - BKH flat 42-50 green



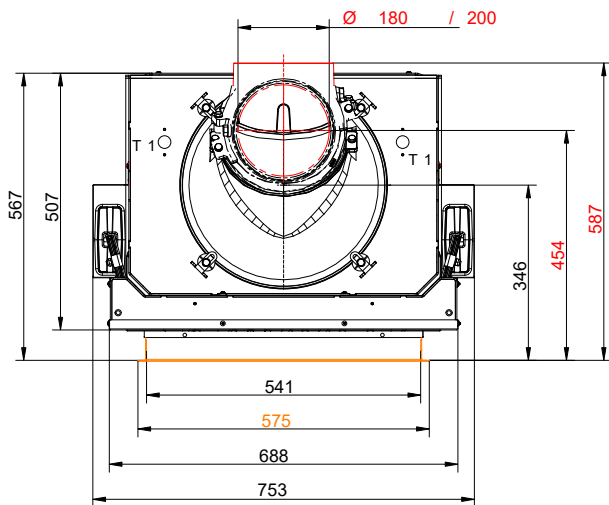
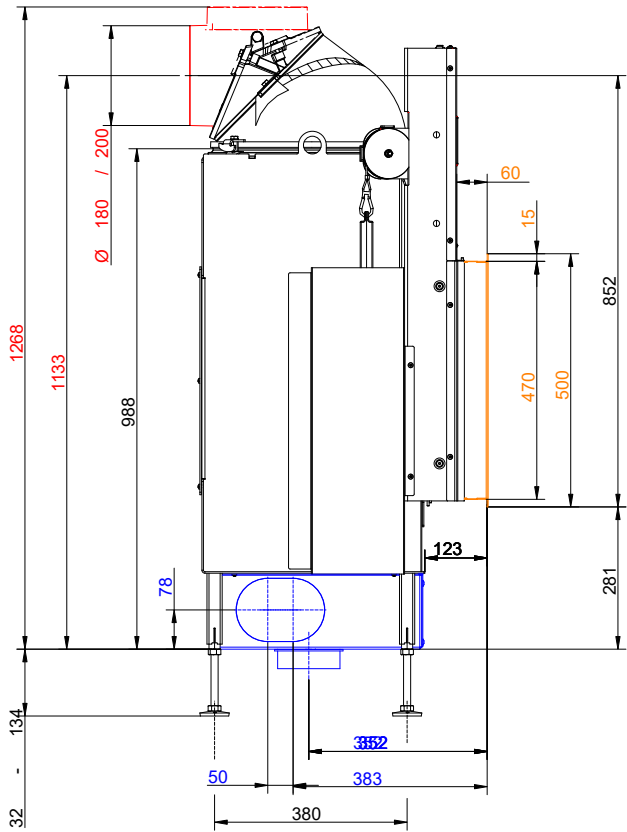
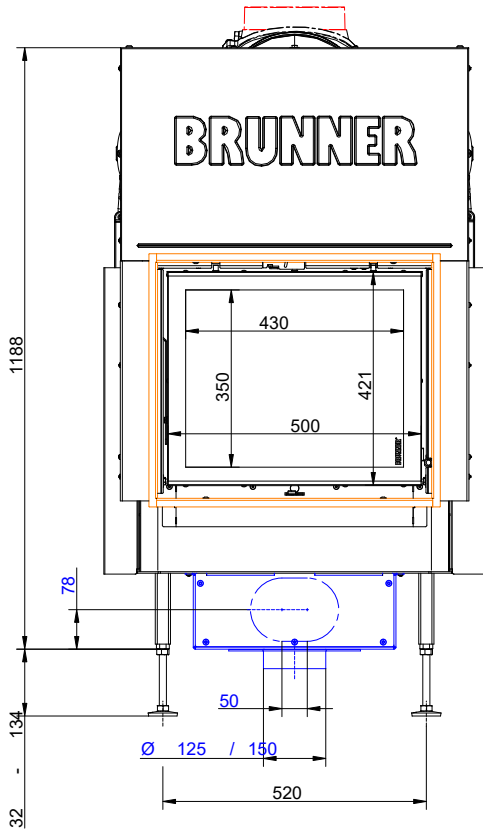
... door frame and cast iron dome (side-opening door, DT)

# Dimension sheets - BKH flat 42-50 green



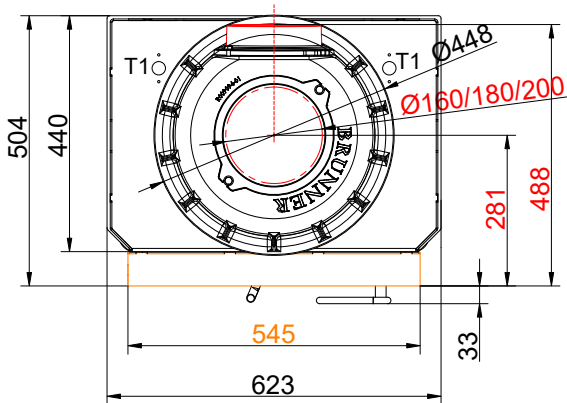
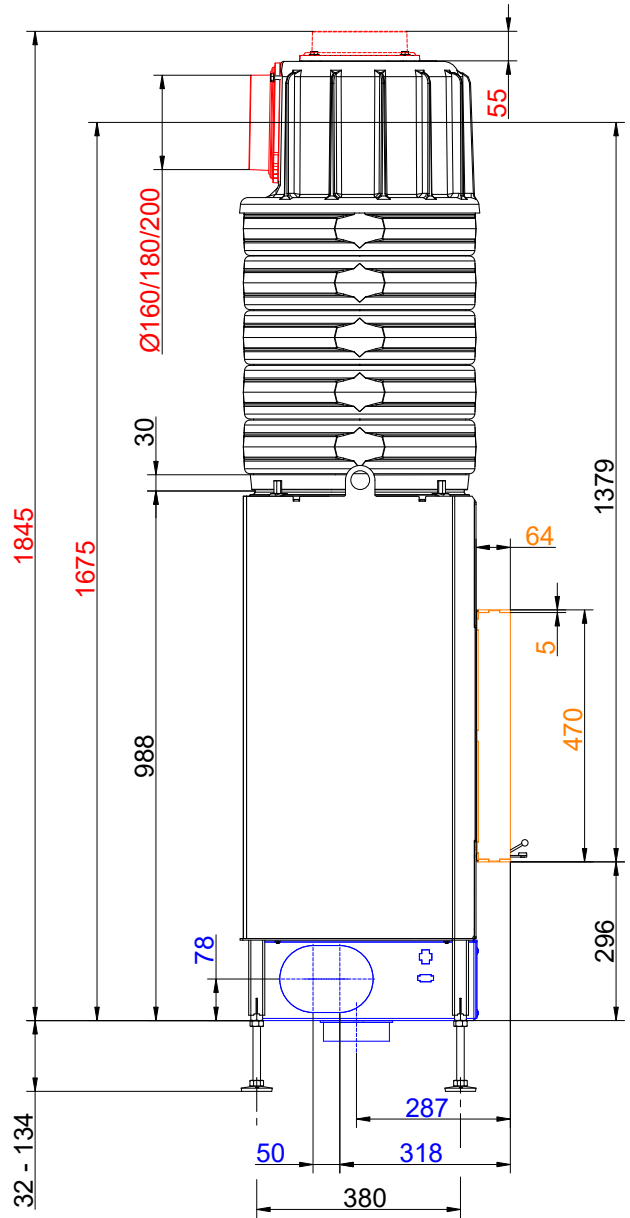
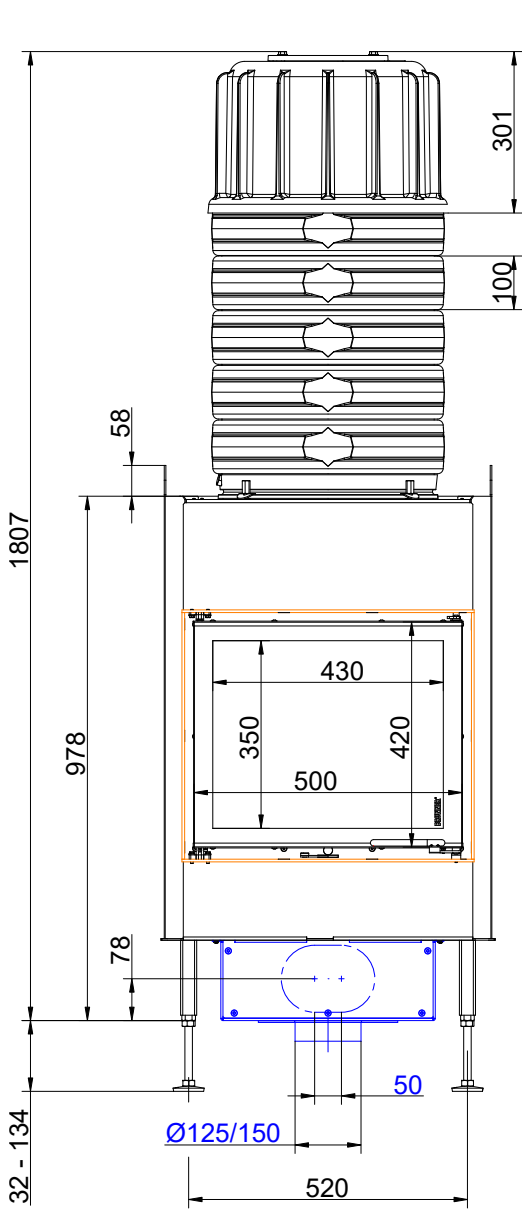
... mounting frame and cast iron dome (lifting door, ST)

# Dimension sheets - BKH flat 42-50 green



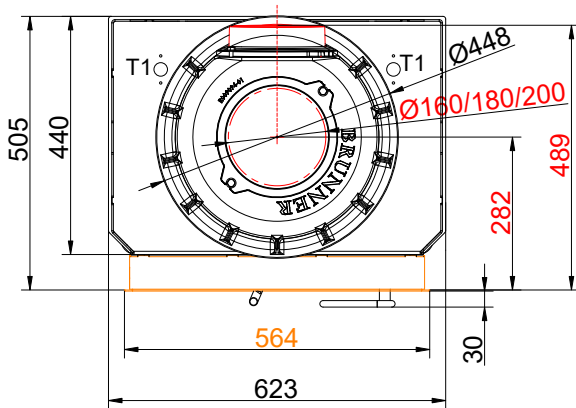
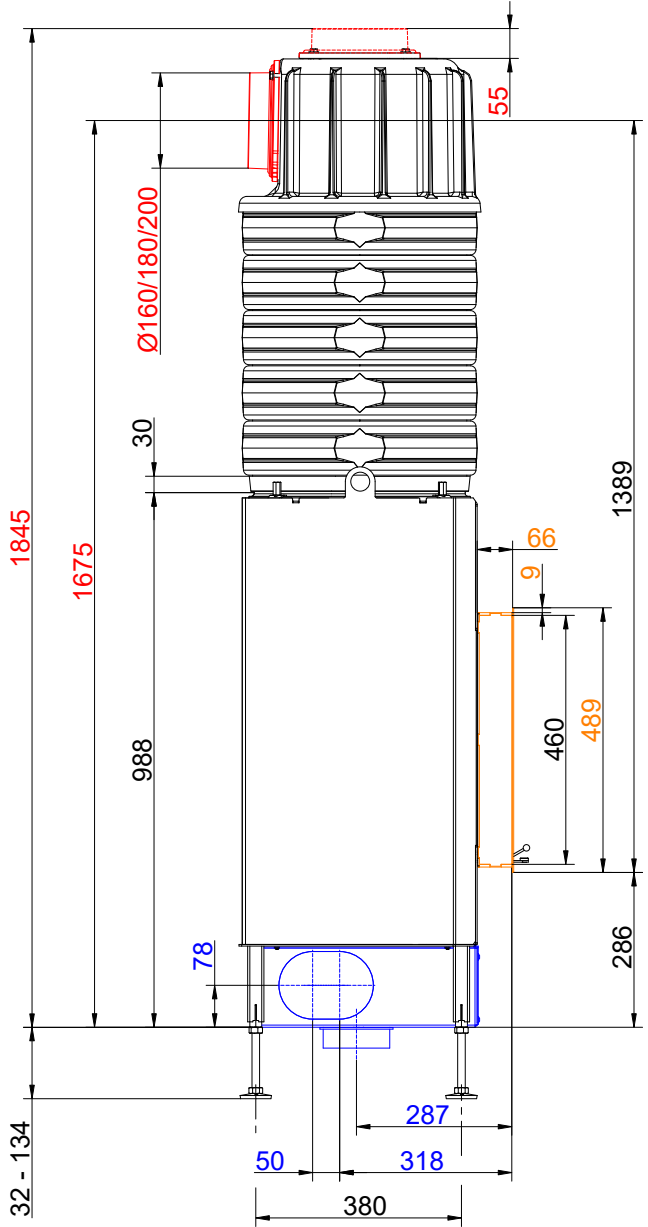
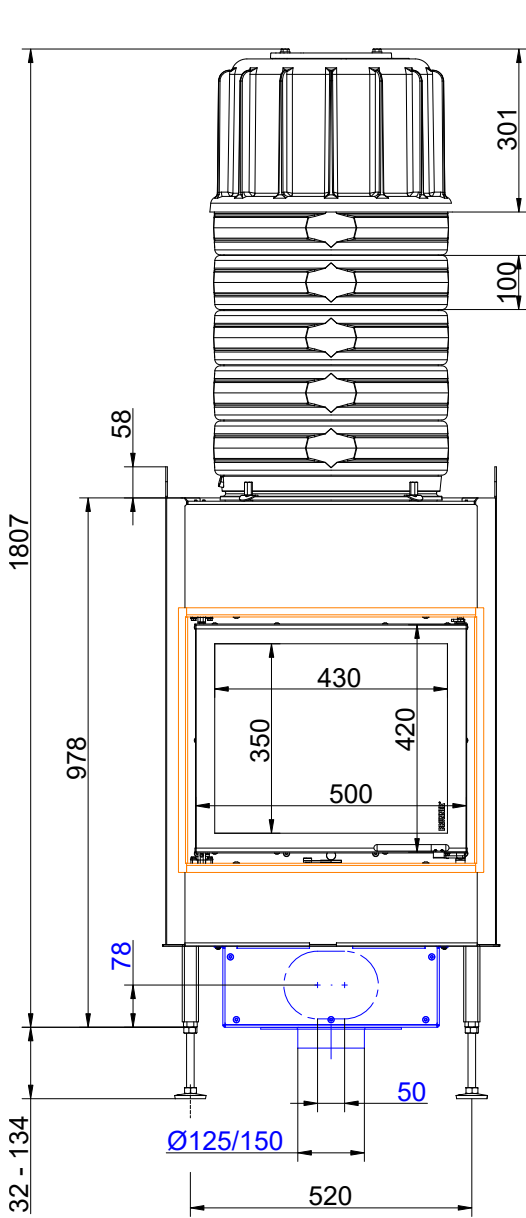
... door frame and cast iron dome (lifting door, ST)

# Dimension sheets - BKH flat 42-50 green



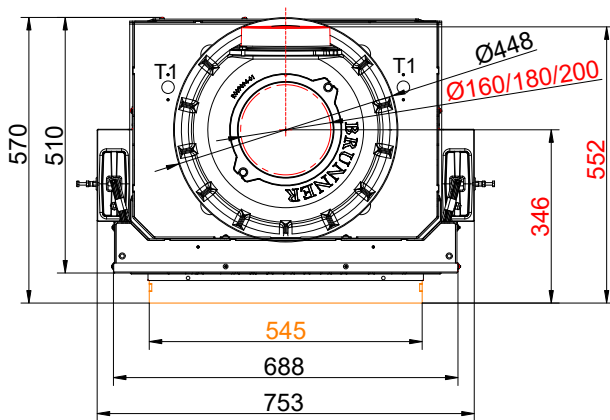
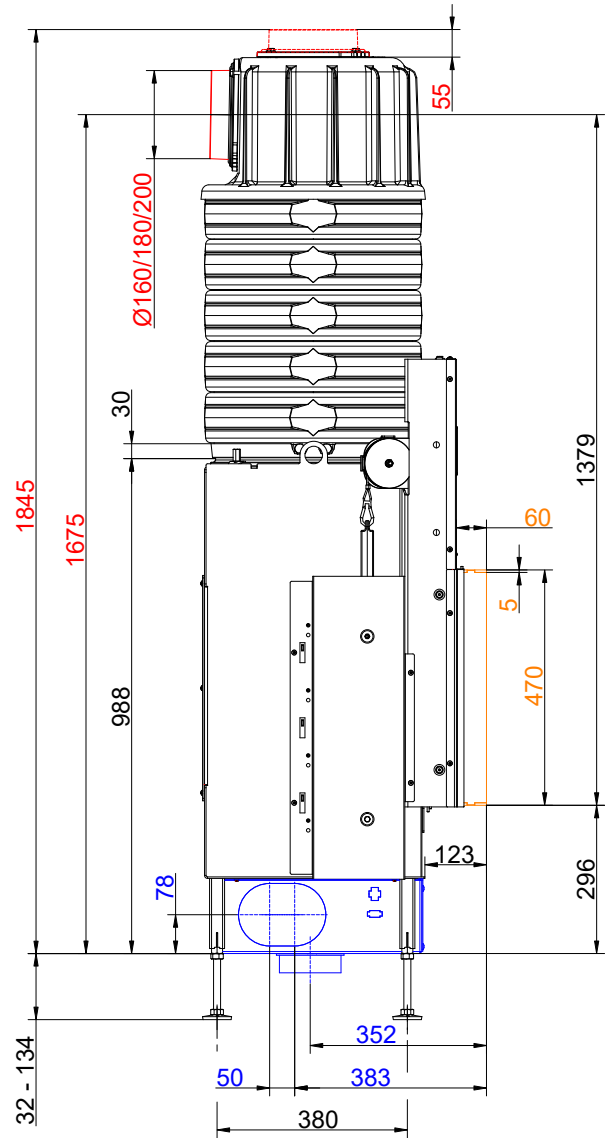
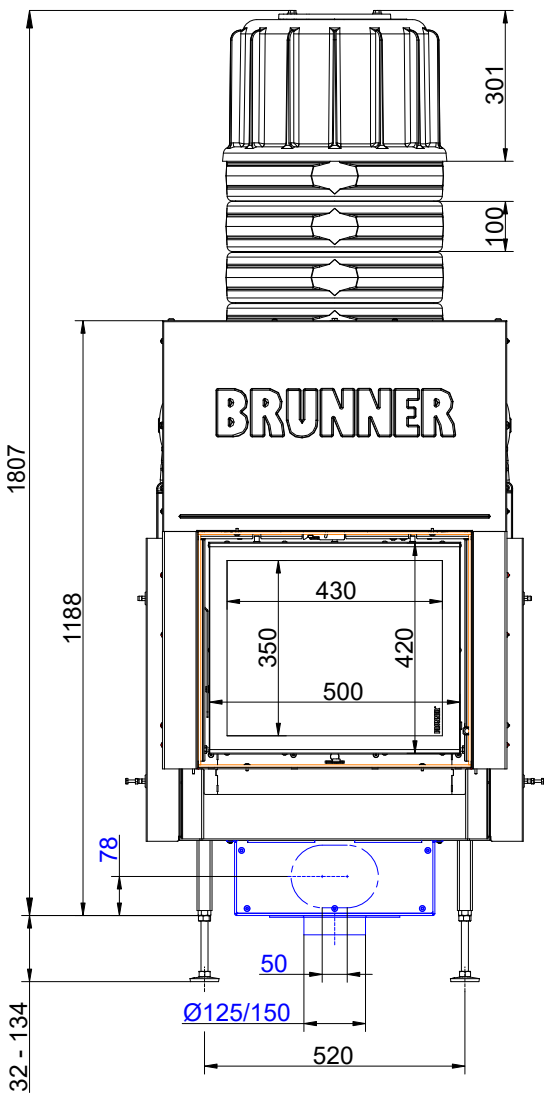
... mounting bracket and MAS (side-opening door, DT)

# Dimension sheets - BKH flat 42-50 green



... door frame and MAS (side-opening door, DT)

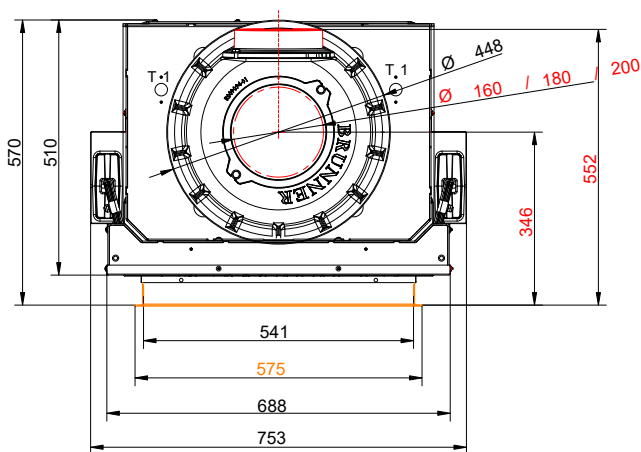
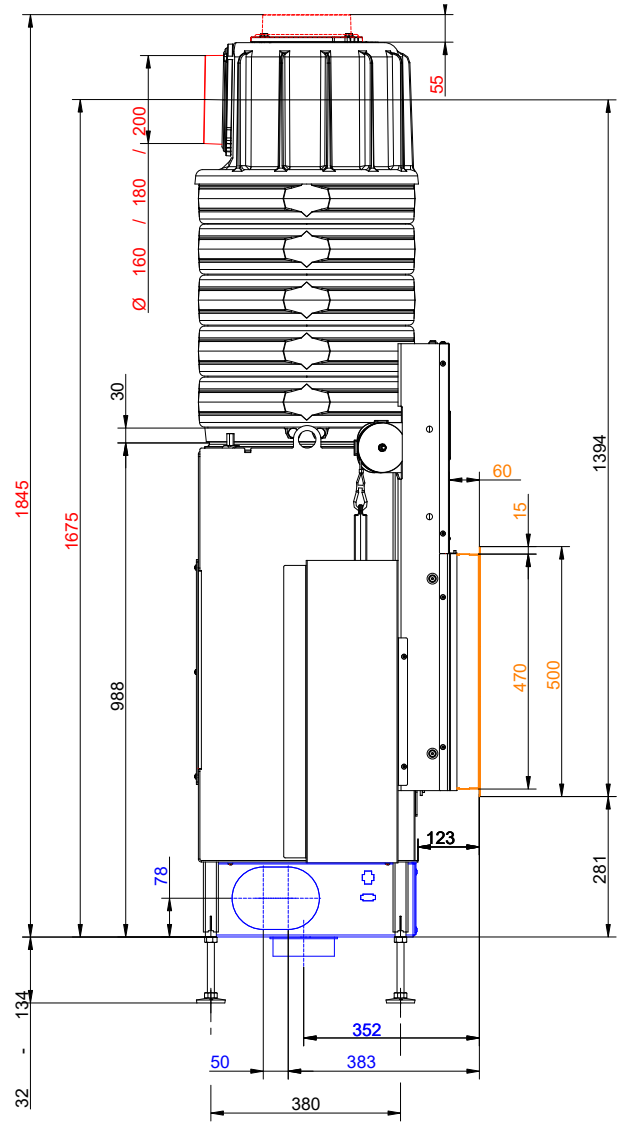
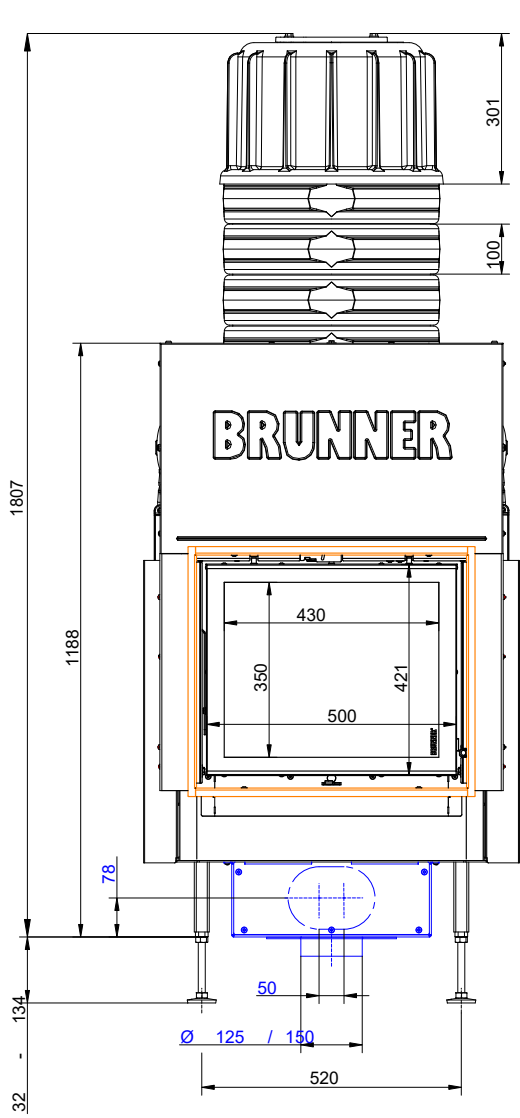
# Dimension sheets - BKH flat 42-50 green



... mounting frame and MAS (lifting door, ST)

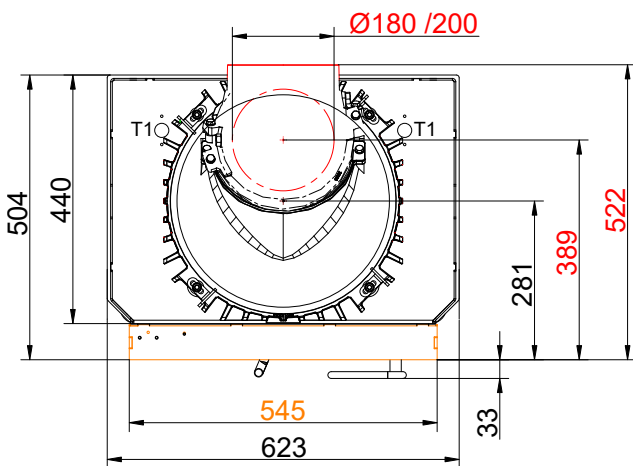
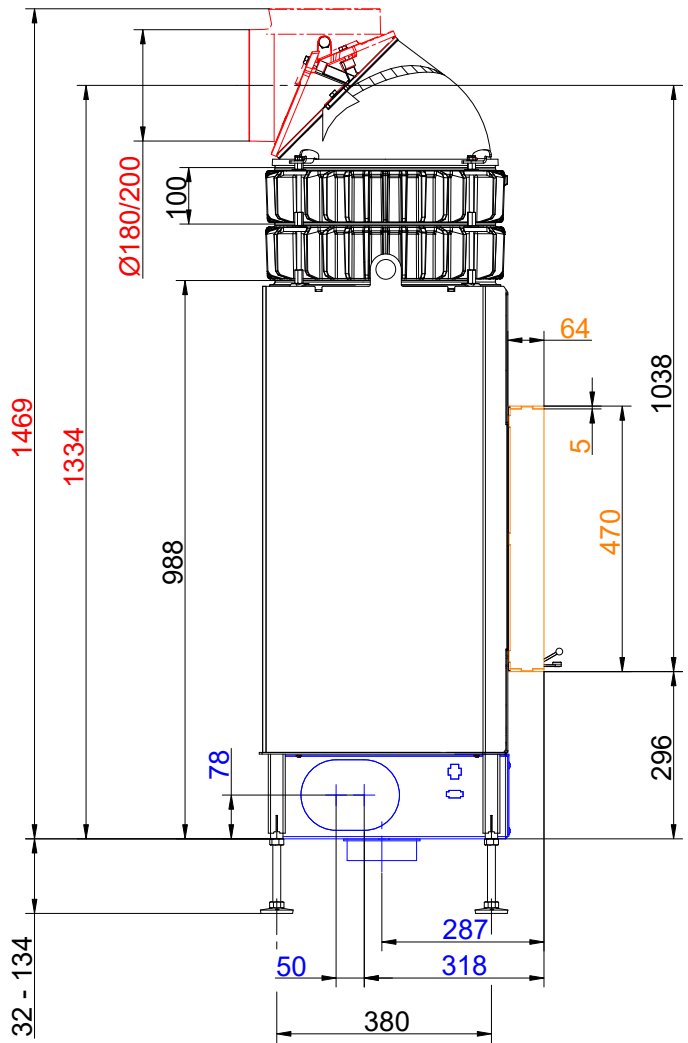
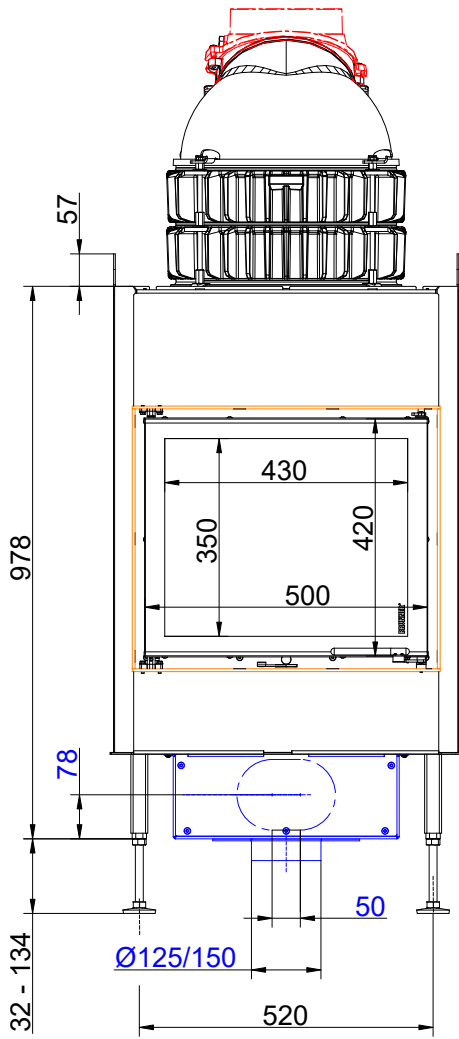


# Dimension sheets - BKH flat 42-50 green



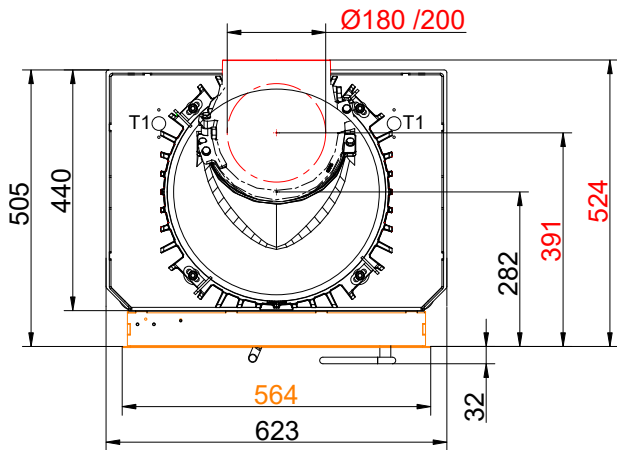
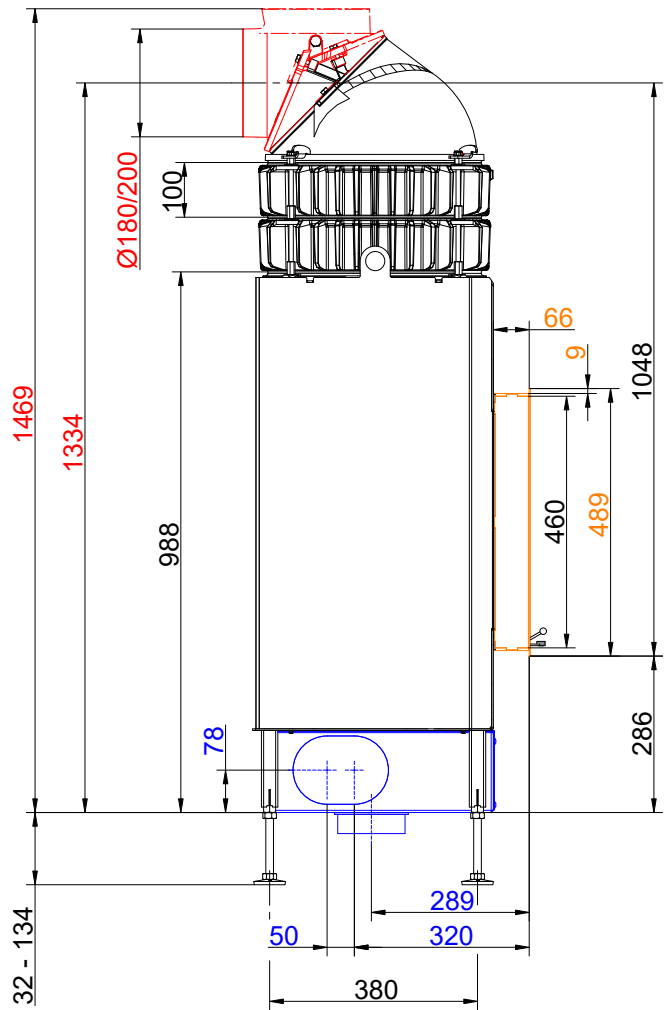
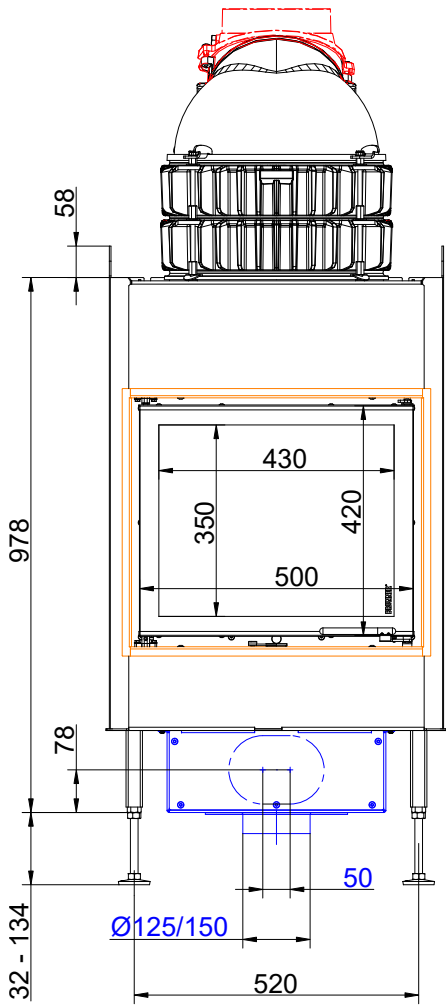
... door frame and MAS (lifting door, ST)

# Dimension sheets - BKH flat 42-50 green



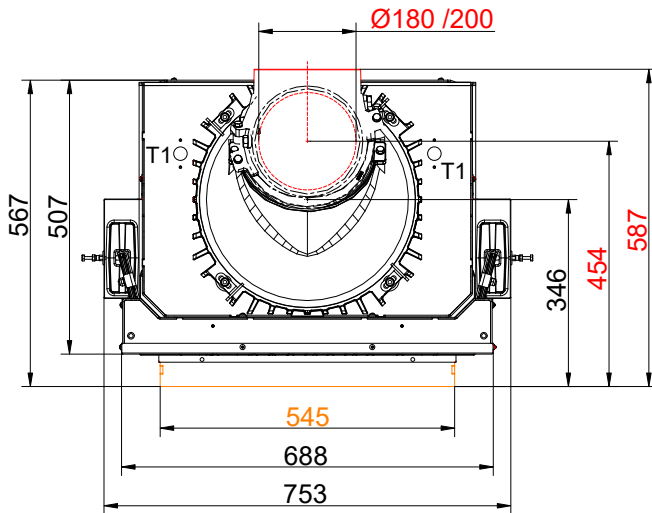
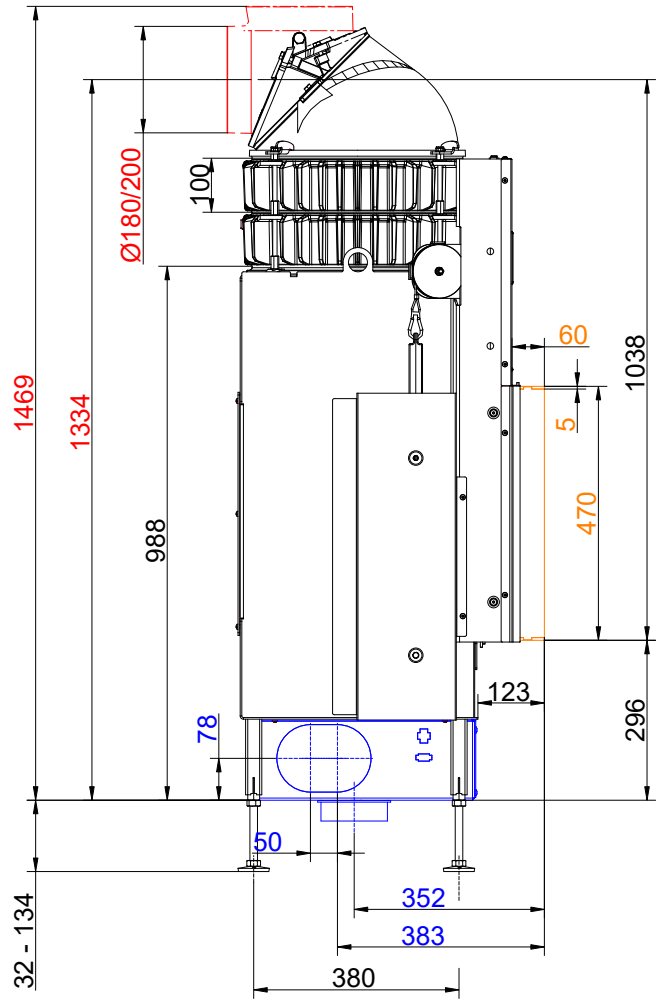
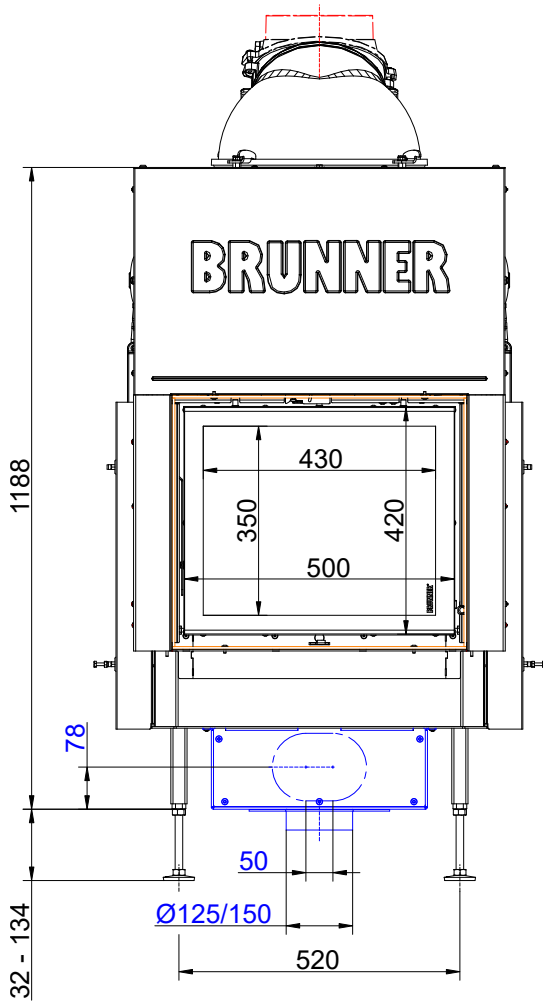
... Mounting bracket and cast iron heat exchanger rings + dome (side-opening door, DT)

# Dimension sheets - BKH flat 42-50 green



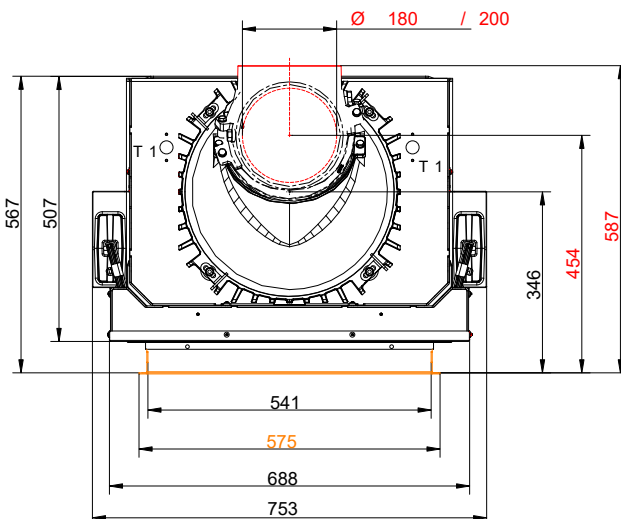
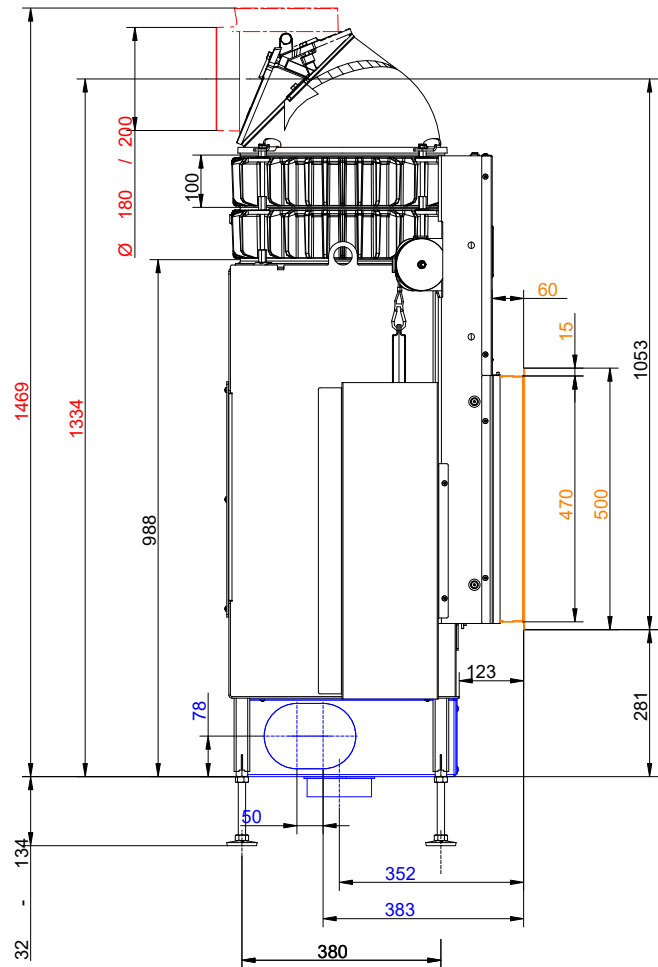
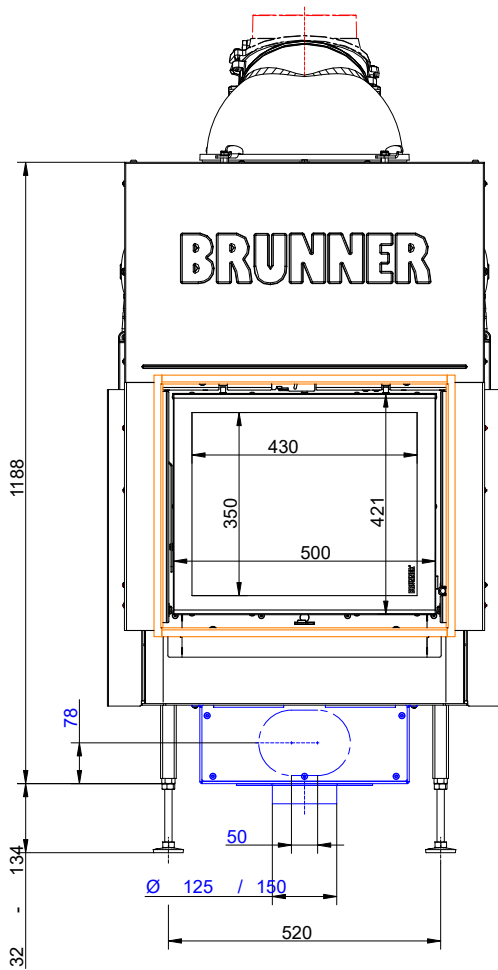
... Door frame and cast iron heat exchanger rings + dome (side-opening door, DT)

# Dimension sheets - BKH flat 42-50 green



... Mounting frame and cast iron heat exchanger rings + dome (lifting door, ST)

# Dimension sheets - BKH flat 42-50 green



... Door frame and cast iron heat exchanger rings + dome (lifting door, ST)

We suggest for CAD planning Palette CAD. Permanent updated drawings: [www.brunner.de](http://www.brunner.de)  
 Frames/ flue gas outlet connection/ combustion air supply connection/ front variants/ support bearing are marked in color.

# Planning and installation - BKH flat 42-50 green

Tested according to		EN 13229 W	EN 13229 WA
Values measured at		Rated power <sup>1)</sup>	Storage operation <sup>2)</sup>
<b>Data for functional demonstration</b>			
Rated heat power	kW	8	-
Fire wood volume	kg/h	2.4	3.5
Combustion performance	kW	10	14
Flue gas mass flow	g/s	10	16
Flue gas temperature after:			
Cast iron dome	°C	220	350
2 x cast iron heat exchanger rings + dome	°C	210	260
5 x accumulation rings incl. MAS casted cover <sup>3)</sup>	°C	-	260
2,0 m ceramic accumulator <sup>4)</sup>	°C	-	180
1,4 m accumulation stones (MSS) <sup>4)</sup>	°C	-	180
Necessary supply pressure	Pa	12	12
Fuel amount	kg	2.0	4.0
Combustion air consumption	m <sup>3</sup> /h	30	43
Combustion air connection Ø	mm	125	125
<b>Heat distribution</b>			
Insert / reheating surface	%	30 / 30	30 / 30
glass ceramic / glass ceramic coated (GKB)	%	40 / 30	40 / 30
<b>Cross-section of gratings <sup>5)</sup></b>			
exhaust warm air	cm <sup>2</sup>	600	600
Recirculation air	cm <sup>2</sup>	600	600
<b>Minimal oven surface for closed construction type</b>			
Heat dissipating surface	m <sup>2</sup>	3.8	3.8
<b>Minimal distances of the fireplace</b>			
Heat protection panel for cladding, insulation layer	cm	3	3
to cladding, insulation layer	cm	5	5
to the floor (non-combustible)	cm	3	3
<b>Minimum insulation thicknesses of substitute insulation material / reference insulation material + facing wall <sup>6)</sup></b>			
with heat protection panel for mounting wall (non-combustible) <sup>7)</sup>	cm	6 / 8	6 / 8
with heat protection panel for mounting wall (combustible) <sup>7)</sup>	cm	12 / 13 + 10	12 / 13 + 10
to mounting wall (non-combustible)	cm	8 / 10	8 / 10
to mounting wall (combustible)	cm	18 / 20 + 10	18 / 20 + 10
to the ceiling (non-combustible)	cm	8 / 10	8 / 10
to the ceiling (combustible)	cm	22 / 25 + 10	22 / 25 + 10
to the floor (non-combustible)	cm	0 / 0	0 / 0
<b>Minimum distances in front of the combustion chamber, glass ceramic / glass ceramic coated (GKB)</b>			
for combustible parts	cm	≥ 120 / ≥ 80	≥ 120 / ≥ 80
<b>Weight</b>			
Fireplace insert + combustion chamber inner lining chamotte/cast iron	kg	104 (DT) - 142 (ST) + 71 / 87	
<b>Meets requirement/limit values for:</b>			
EU / Germany	Ecodesign / 1. BImSchV (Stufe 2)		

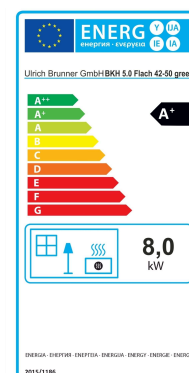
- 1) Indications to "Rated power" determined with 2 heat exchanger rings made of cast iron and Ø180 dome.
- 2) Indications to "Storage operation" for the manual execution of the reheating surface (guide values).
- 3) Damper flap recommended
- 4) Standard value or calculated functional proof required.
- 5) Air cross-sections if the specified nominal heat output is desired as the heat output.
- 6) Fire safety: values determined with air cross-sections evaluated by safety testing; stove cladding is heat emitting. Insulation material data with calcium silicate (Promasil 950KS)/10 cm wall lining + reference insulation material (mineral wool according to AGI Q 132).The specifications for walls/ceilings that do not require protection and are non-combustible correspond to the specifications of TROL (Germany).

## Planning and installation - BKH flat 42-50 green

- 7) Heat protection panels (accessories) only available for selected fireplace inserts. For assembly and design of the heat protection panel see assembly instructions. Distance between mounted heat protection panel and fireplace insert: rear wall 2 cm, side wall 3 cm.

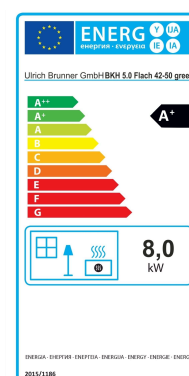
### Product data sheet according to (EU) 2015/1186:

Supplier's name or trademark	Ulrich Brunner GmbH
Model identifier:	BKH 5.0 Flach 42-50 green ST
Energy efficiency class:	A+
Direct heat output:	8,0 kW
Indirect heat output:	N.A. kW
Energy efficiency index:	110
Fuel energy efficiency (at nominal heat output):	83,0 %
Fuel energy efficiency (at minimum load):	N.A. %
Special precautions: see supplied product documentation	



### Product data sheet according to (EU) 2015/1186:

Supplier's name or trademark	Ulrich Brunner GmbH
Model identifier:	BKH 5.0 Flach 42-50 green DT
Energy efficiency class:	A+
Direct heat output:	8,0 kW
Indirect heat output:	N.A. kW
Energy efficiency index:	110
Fuel energy efficiency (at nominal heat output):	83,0 %
Fuel energy efficiency (at minimum load):	N.A. %
Special precautions: see supplied product documentation	



### **Ulrich Brunner GmbH**

Zellhuber Ring 17-18

D-84307 Eggenfelden

Phone: +49 (0) 8721/771-800

E-Mail: [info@brunner.de](mailto:info@brunner.de)

### **Copyright**

All information, drawings and technical descriptions contained in this documentation are our property and may not be reproduced without prior written permission.

® **BRUNNER** is a registered trademark.

Subject to technical changes and errors.

© by Ulrich Brunner GmbH

Art.Nr.Dokument: 202856