

# ECKA 50/35/45L left

Technical data

Version 2019/08

	operation when directly connected to chimney	operation when connected accumulation mass	
Energy label	<b>A</b>	<b>A</b>	<b>A</b>
<b>Operating data</b>			
Nominal heat power	5,9 kW	----	----
Efficiency	> 80 %	----	----
Consumption of wood	1,9 kg/h	4,5 kg	3,1 kg
Total heat output of the burning chamber	----	18 kW	11 kW
Mass flow of flue gas	5,4 g/s	15 g/s	11 g/s
Required chimney pressure	12 Pa	12 Pa	15 Pa
Required amount of combustion air	20 m <sup>3</sup> /h	45 m <sup>3</sup> /h	30 m <sup>3</sup> /h
<b>Average flue gas temperature</b>			
on the output	245 °C	395 °C	330 °C
past 3,2 m of ceramic accumulation system KMS 240 <sup>1</sup>	----	162 °C	----
past S-accumulation rings (5x S-acc. ring Ø345mm)	----	----	210 °C
<b>Heat distribution</b>			
fireplace insert	64–75 %	35 %	35 %
door glass (single / double)	36 / 25 %	36 / 25 %	36 / 25 %
adjoining accumulation mass	----	29–40 %	29–40 %
<b>Information for ventilated builds</b>			
Minimal grill area supply / outgoing	600 / 700 cm <sup>2</sup>	600 / 700 cm <sup>2</sup>	600 / 700 cm <sup>2</sup>
Minimum distance from insulated areas / floor	80 / 0 mm	80 / 0 mm	
Reference insulation <sup>2</sup> ceiling / back wall / side wall / floor	120 / 80 / 80 / 0 mm	120 / 80 / 80 / 0 mm	
Calciumsilicate insulation <sup>3</sup> ceiling / back wall / side wall / floor	90 / 60 / 60 / 0 mm	90 / 60 / 60 / 0 mm	
<b>Information for non-ventilated builds (closed grills)</b>			
Minimum radiant area <sup>4</sup>	3 m <sup>2</sup>	4 m <sup>2</sup>	
Minimum distance from insulated areas / floor	80 / 20 mm	80 / 20 mm	
Reference insulation <sup>2</sup> ceiling / back wall / side wall / floor	160 / 100 / 100 / 20 mm	160 / 100 / 100 / 20 mm	
Calciumsilicate insulation <sup>3</sup> ceiling / back wall / side wall / floor	120 / 75 / 75 / 20 mm	120 / 75 / 75 / 20 mm	
<b>General technical information</b>			
Total weight / lining weight	ca. 135 / 45 kg	ca. 135 / 45 kg	
Burning chamber dimensions (width x depth)	355 x 205 mm		
Combustion air connection	Ø 125 mm		
Use in non-ventilated accumulation builds according to craft rules	suitable		
Tested according to	EN 13229		
Meets values	1. BlmSchV (Stufe2), 15a BvG, NS 3059		

<sup>1</sup> Listed value from testing. For accurate results is evaluation of each system in the Ortnr / KOV program necessary.

<sup>2</sup> Mineral wool according to AGI-Q 132

<sup>3</sup> Example SkamoEnclosure Board 225 kg/m<sup>3</sup>

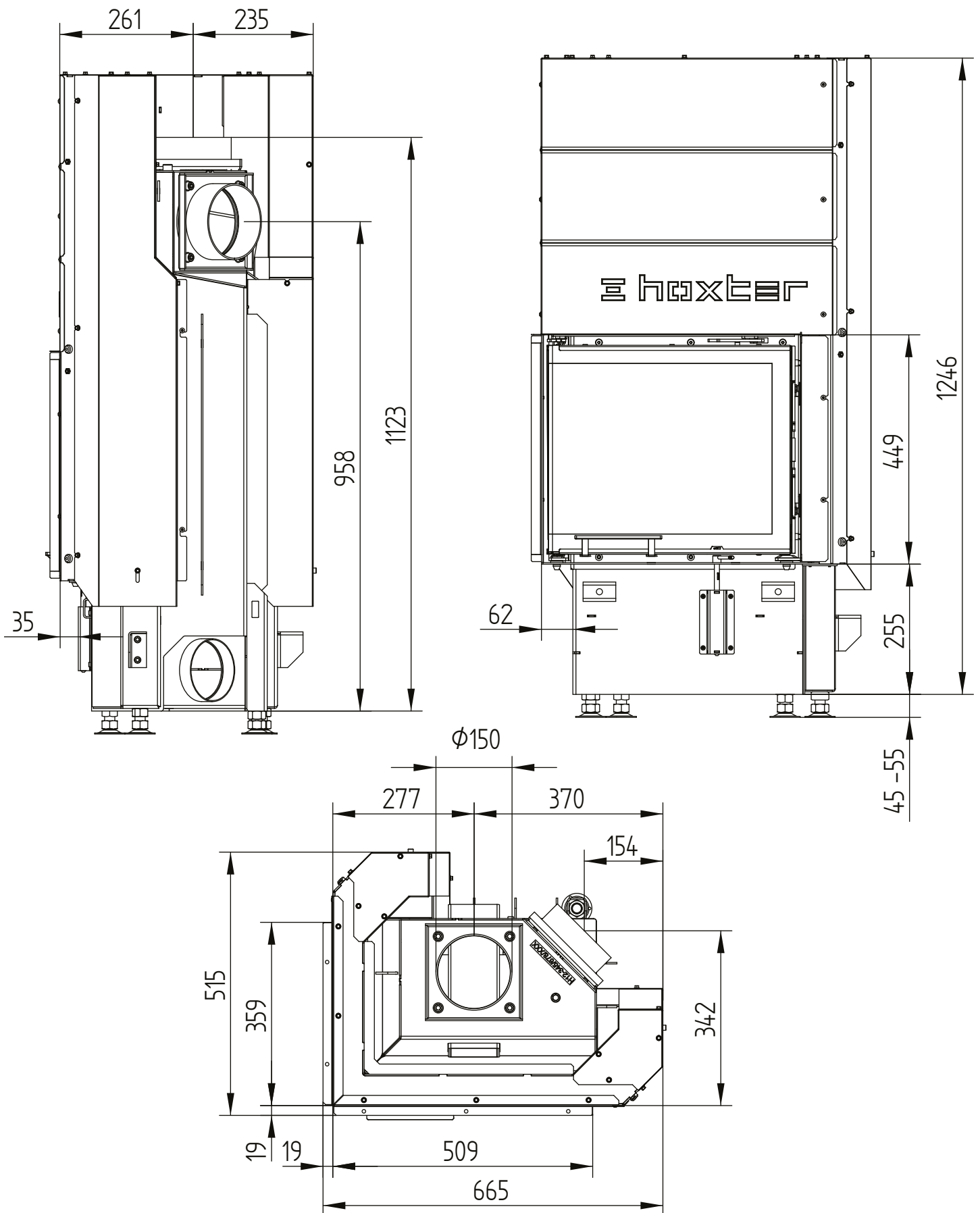
<sup>4</sup> Depends on accumulation period and material characteristics. Listed values calculated with chamotte stone thickness 30 mm with radiant area 500 W/m<sup>2</sup>

# ECKA 50/35/45L left

Technical data  
Version 2019/08

liftdoor

M 1:10

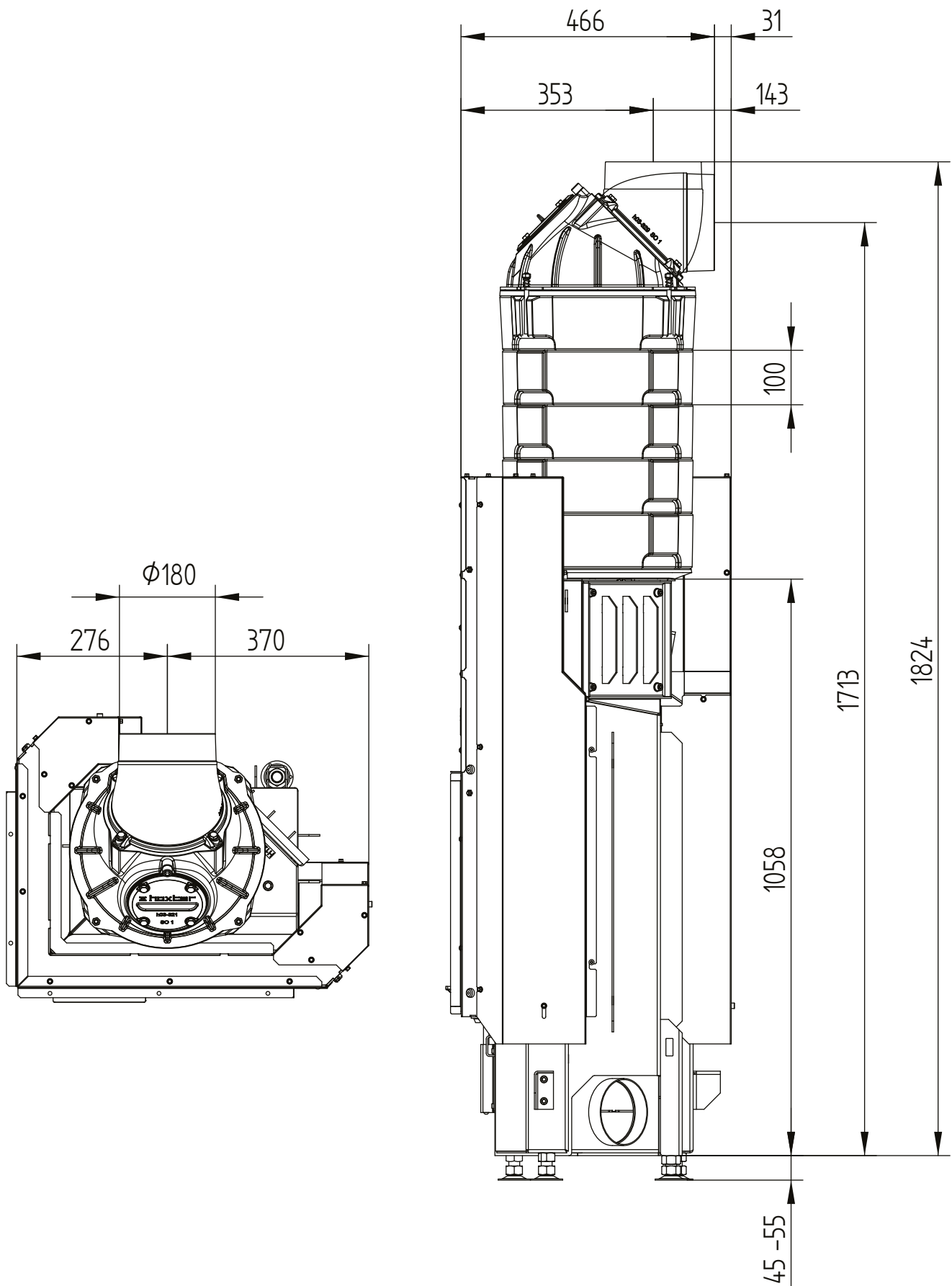


# ECKA 50/35/45L left

Technical data  
Version 2019/08

liftdoor

M 1:10

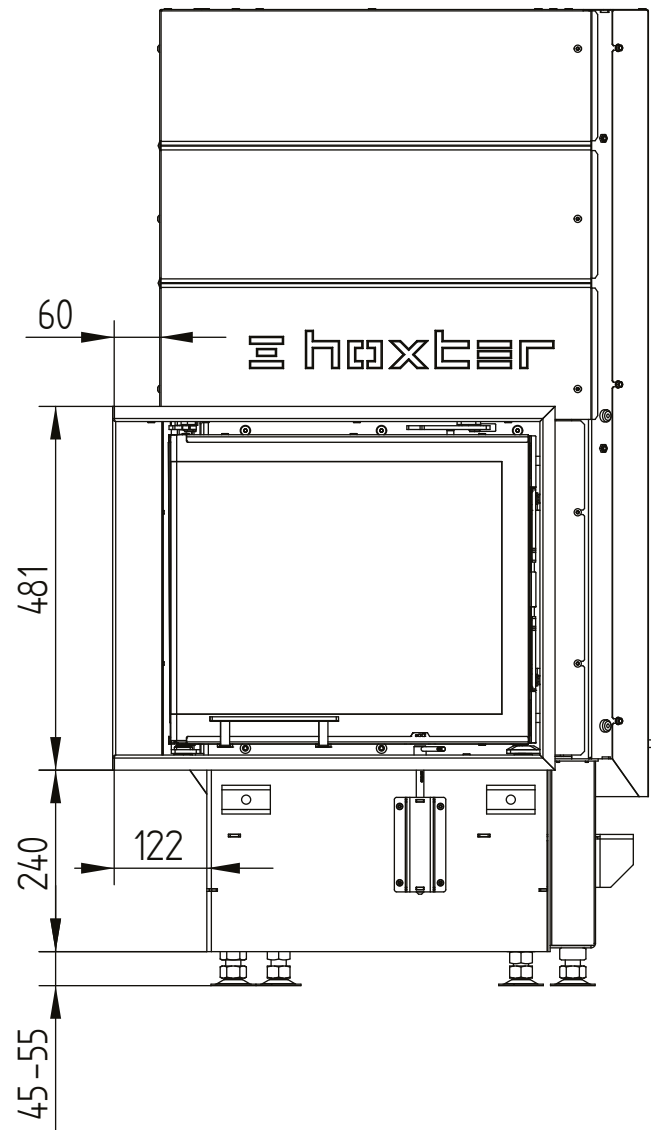
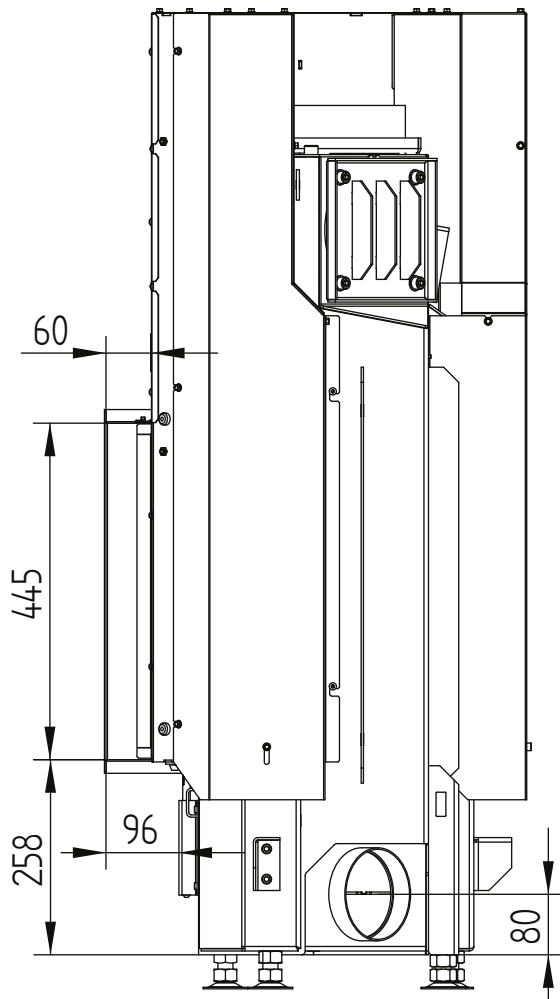


# ECKA 50/35/45L left

Technical data  
Version 2019/08

cover frame 50/35/45Lh left liftdoor 6sides 60 mm 1 x 90° / air connection

M 1:10

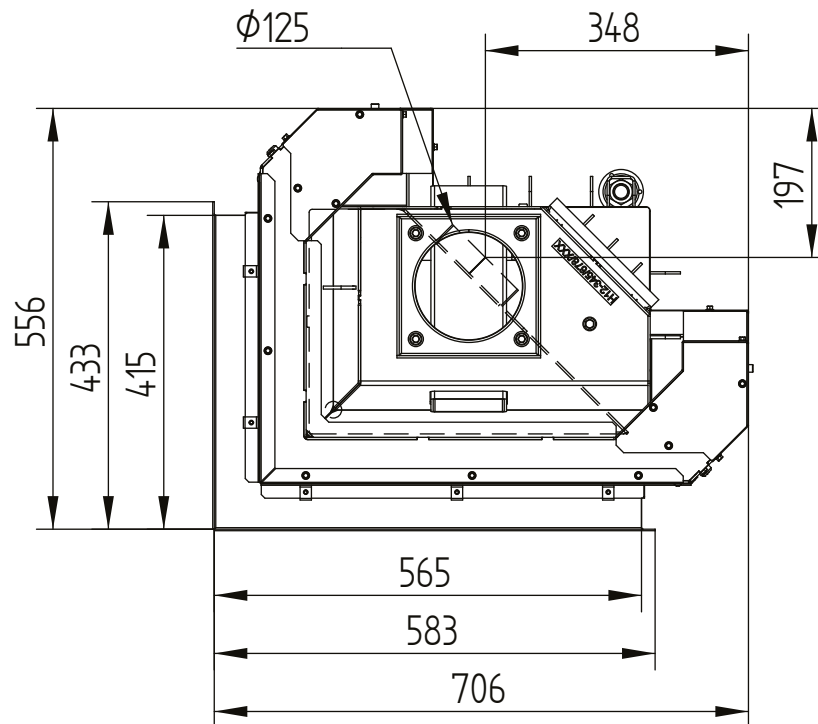


# ECKA 50/35/45L left

Technical data  
Version 2019/08

cover frame 50/35/45Lh left liftdoor 6sides 60 mm 1 x 90° / air connection

M 1:10

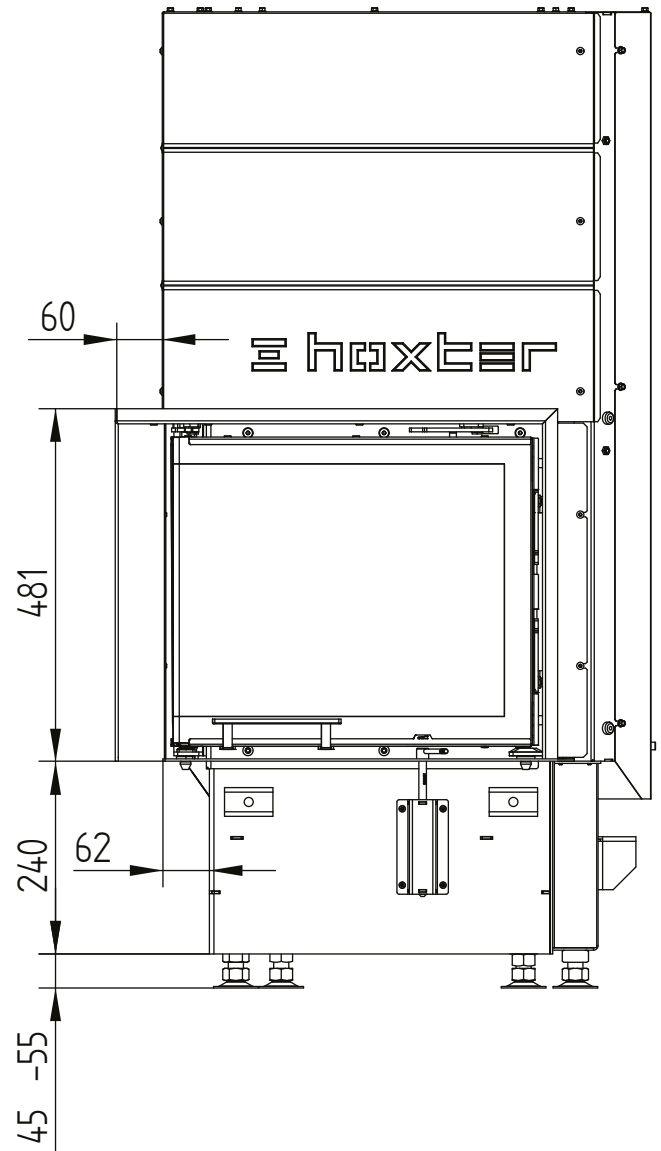
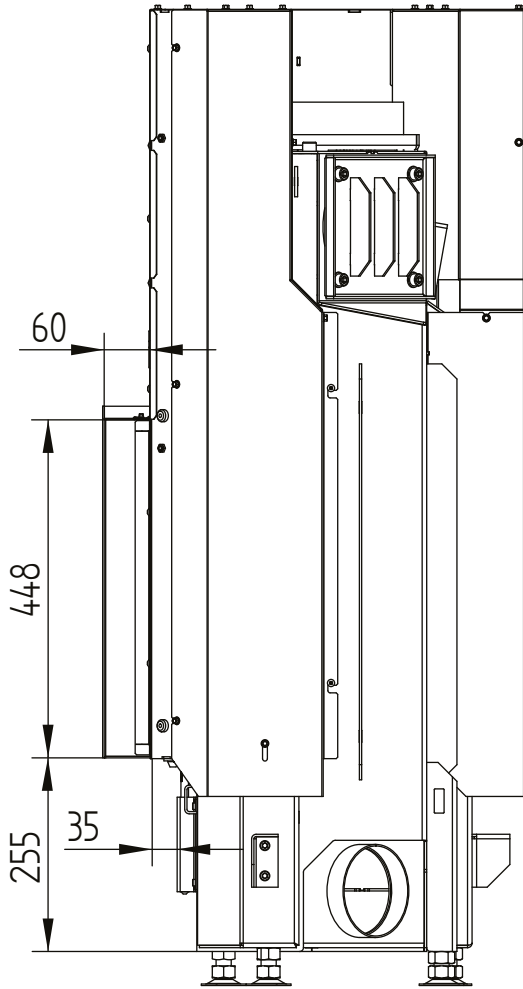


# ECKA 50/35/45L left

Technical data  
Version 2019/08

cover frame 50/35/45Lh left liftdoor 4sides 60 mm 1 x 90°

M 1:10

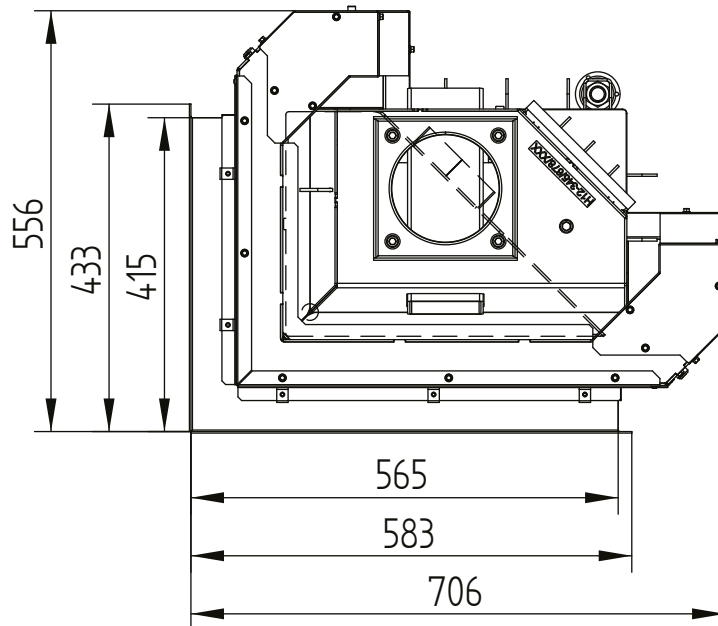


# ECKA 50/35/45L left

Technical data  
Version 2019/08

cover frame 50/35/45Lh left liftdoor 4sides 60 mm 1 x 90°

M 1:10

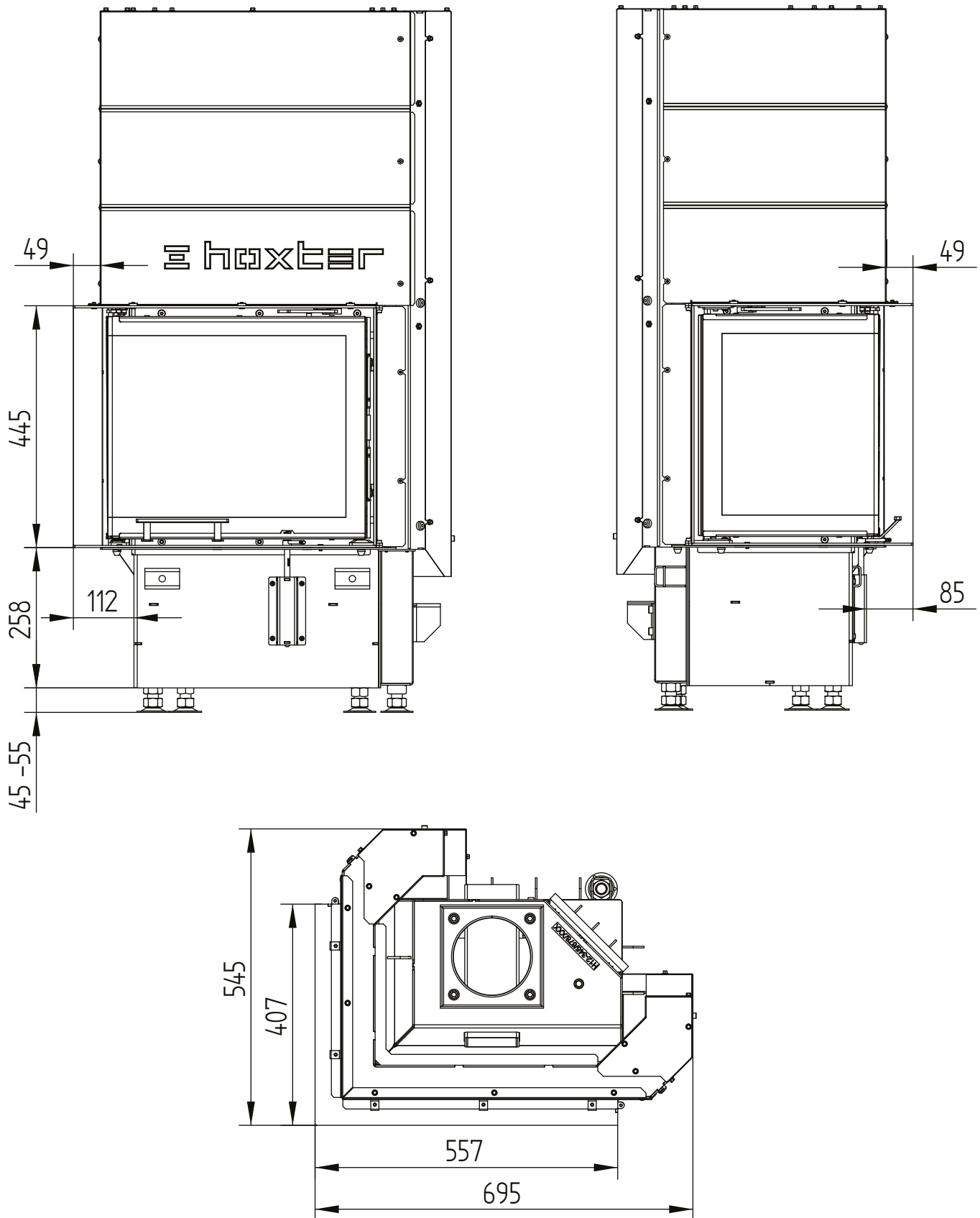


# ECKA 50/35/45L left

Technical data  
Version 2019/08

build-on frame 50/35/45Lh left liftdoor 6sides 50 mm

M 1:10



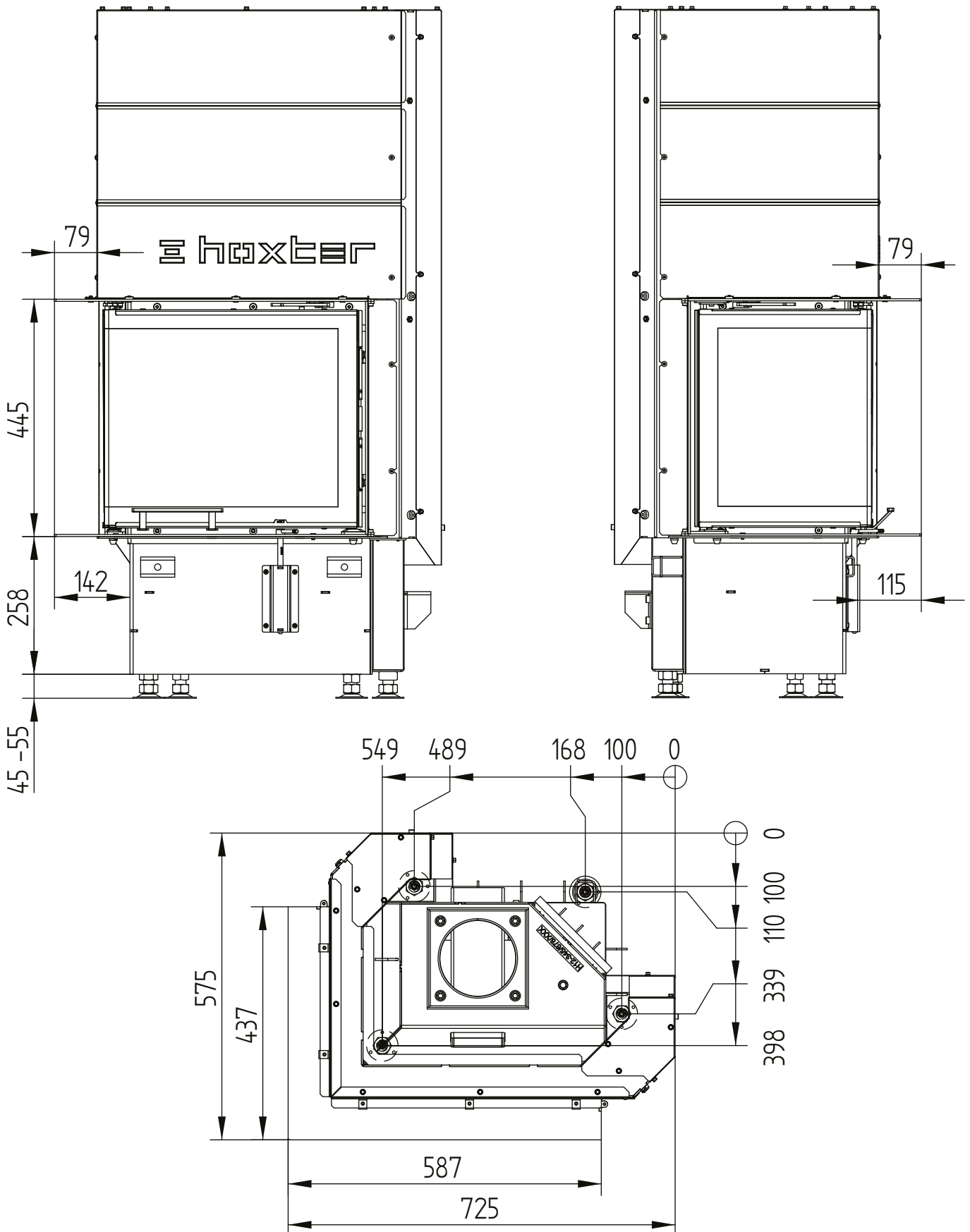


# ECKA 50/35/45L left

Technical data  
Version 2019/08

build-on frame 50/35/45Lh left liftdoor 6sides 80 mm / feet

M 1:10

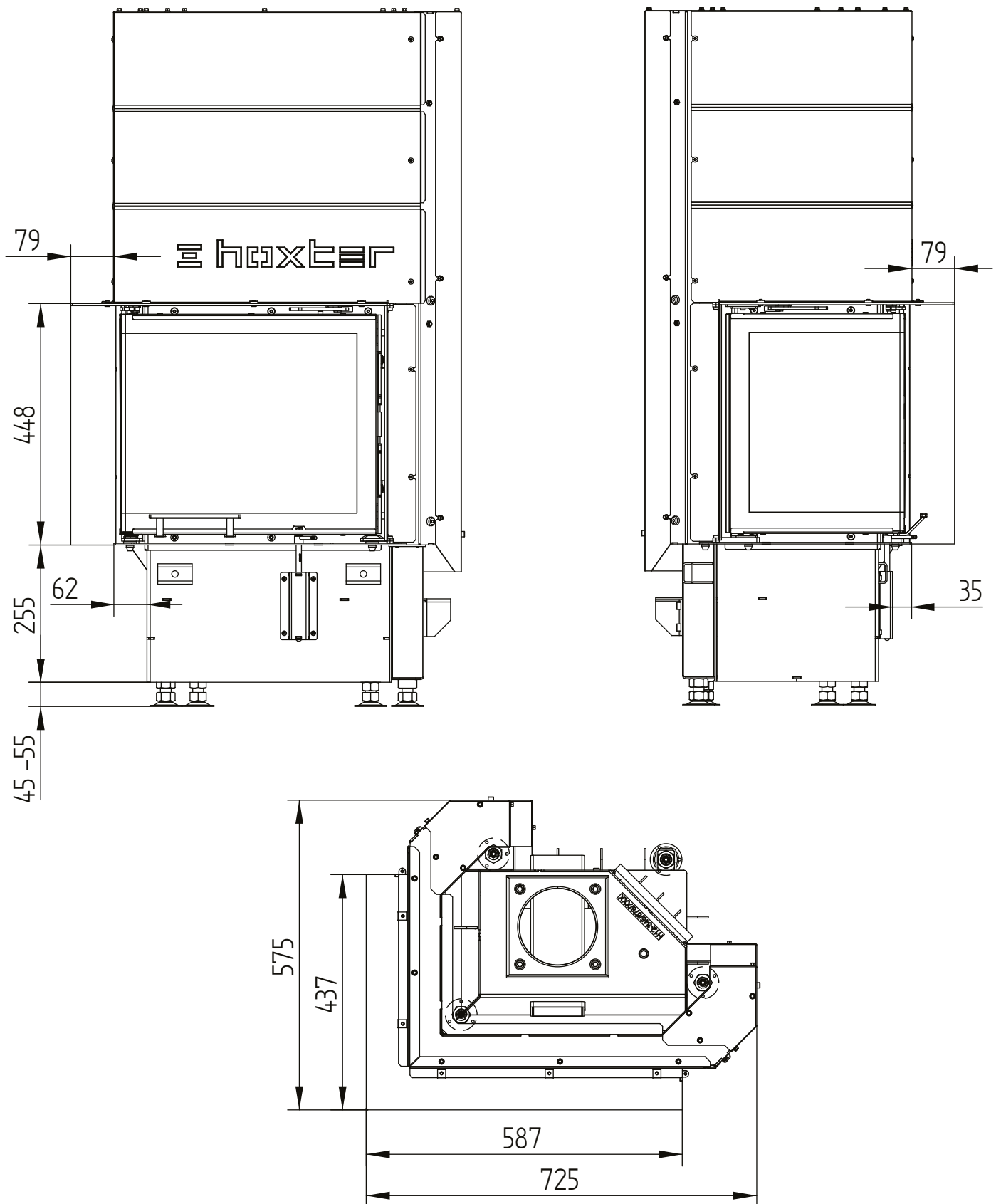


# ECKA 50/35/45L left

Technical data  
Version 2019/08

build-on frame 50/35/45Lh left liftdoor 4sides 80 mm

M 1:10



# ECKA 50/35/45R right

Technical data

Version 2019/08

	operation when directly connected to chimney	operation when connected accumulation mass	
Energy label	<b>A</b>	<b>A</b>	<b>A</b>
<b>Operating data</b>			
Nominal heat power	5,9 kW	----	----
Efficiency	> 80 %	----	----
Consumption of wood	1,9 kg/h	4,5 kg	3,1 kg
Total heat output of the burning chamber	----	18 kW	11 kW
Mass flow of flue gas	5,4 g/s	15 g/s	11 g/s
Required chimney pressure	12 Pa	12 Pa	15 Pa
Required amount of combustion air	20 m <sup>3</sup> /h	45 m <sup>3</sup> /h	30 m <sup>3</sup> /h
<b>Average flue gas temperature</b>			
on the output	245 °C	395 °C	330 °C
past 3,2 m of ceramic accumulation system KMS 240 <sup>1</sup>	----	162 °C	----
past S-accumulation rings (5x S-acc. ring Ø345mm)	----	----	210 °C
<b>Heat distribution</b>			
fireplace insert	64–75 %	35 %	35 %
door glass (single / double)	36 / 25 %	36 / 25 %	36 / 25 %
adjoining accumulation mass	----	29–40 %	29–40 %
<b>Information for ventilated builds</b>			
Minimal grill area supply / outgoing	600 / 700 cm <sup>2</sup>	600 / 700 cm <sup>2</sup>	600 / 700 cm <sup>2</sup>
Minimum distance from insulated areas / floor	80 / 0 mm	80 / 0 mm	
Reference insulation <sup>2</sup> ceiling / back wall / side wall / floor	120 / 80 / 80 / 0 mm	120 / 80 / 80 / 0 mm	
Calciumsilicate insulation <sup>3</sup> ceiling / back wall / side wall / floor	90 / 60 / 60 / 0 mm	90 / 60 / 60 / 0 mm	
<b>Information for non-ventilated builds (closed grills)</b>			
Minimum radiant area <sup>4</sup>	3 m <sup>2</sup>	4 m <sup>2</sup>	
Minimum distance from insulated areas / floor	80 / 20 mm	80 / 20 mm	
Reference insulation <sup>2</sup> ceiling / back wall / side wall / floor	160 / 100 / 100 / 20 mm	160 / 100 / 100 / 20 mm	
Calciumsilicate insulation <sup>3</sup> ceiling / back wall / side wall / floor	120 / 75 / 75 / 20 mm	120 / 75 / 75 / 20 mm	
<b>General technical information</b>			
Total weight / lining weight	ca. 135 / 45 kg	ca. 135 / 45 kg	
Burning chamber dimensions (width x depth)	355 x 205 mm		
Combustion air connection	Ø 125 mm		
Use in non-ventilated accumulation builds according to craft rules	suitable		
Tested according to	EN 13229		
Meets values	1. BImSchV (Stufe2), 15a BvG, NS 3059		

<sup>1</sup> Listed value from testing. For accurate results is evaluation of each system in the Ortnr / KOV program necessary.

<sup>2</sup> Mineral wool according to AGI-Q 132

<sup>3</sup> Example SkamoEnclosure Board 225 kg/m<sup>3</sup>

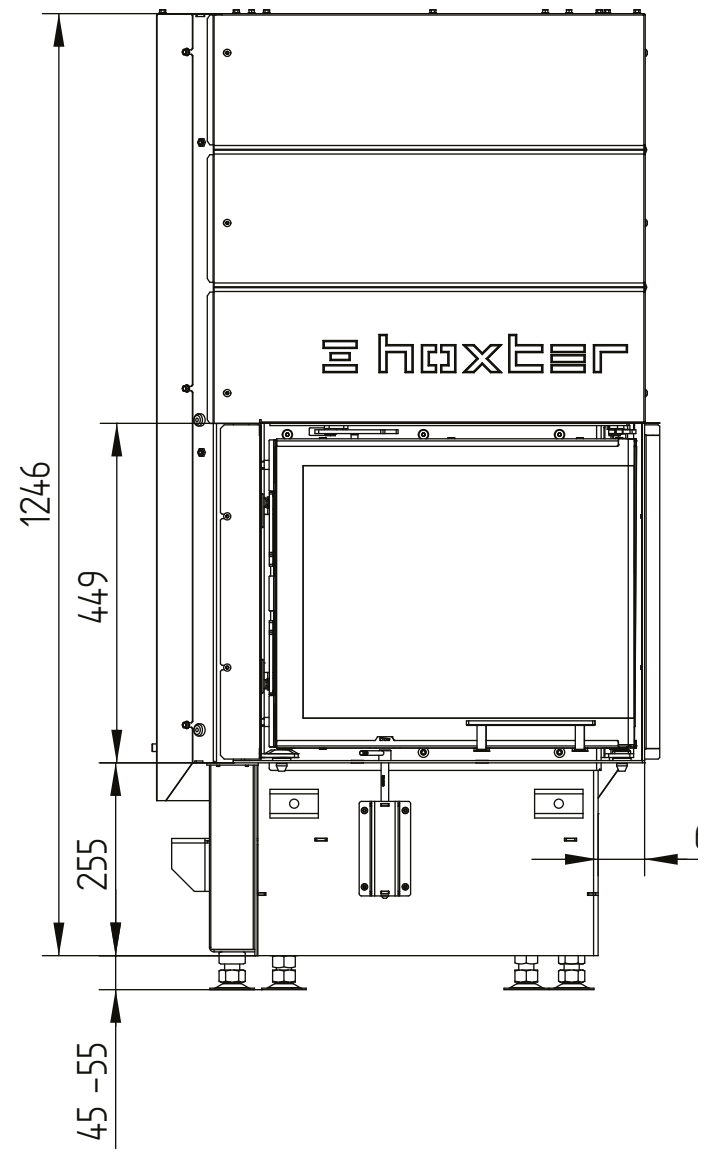
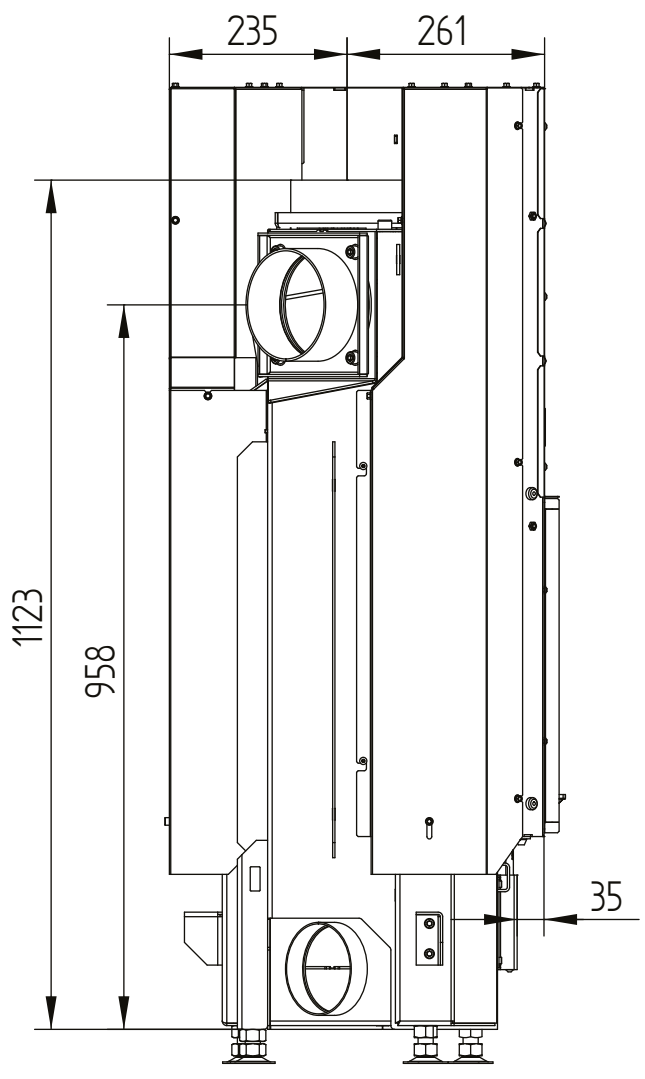
<sup>4</sup> Depends on accumulation period and material characteristics. Listed values calculated with chamotte stone thickness 30 mm with radiant area 500 W/m<sup>2</sup>

# ECKA 50/35/45R right

Technical data  
Version 2019/08

liftdoor

M 1:10

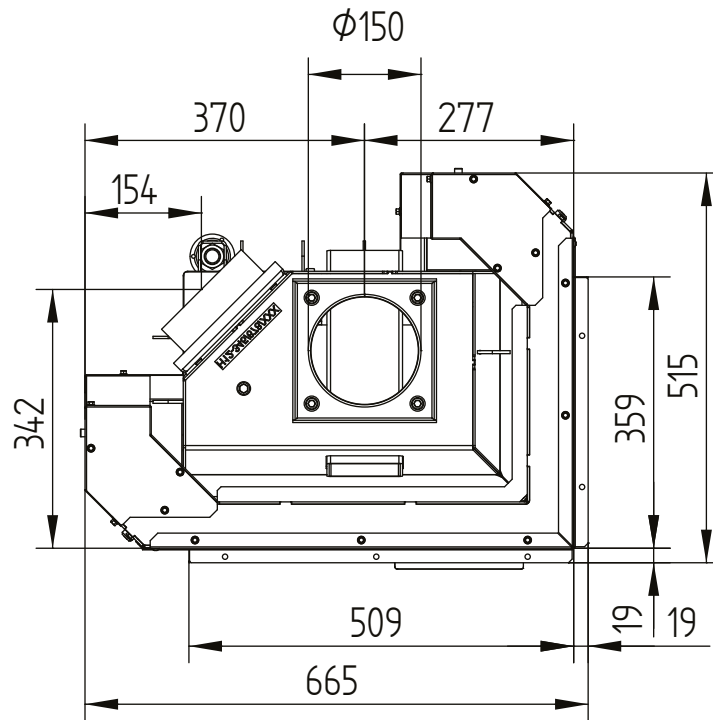


# ECKA 50/35/45R right

Technical data  
Version 2019/08

liftdoor

M 1:10

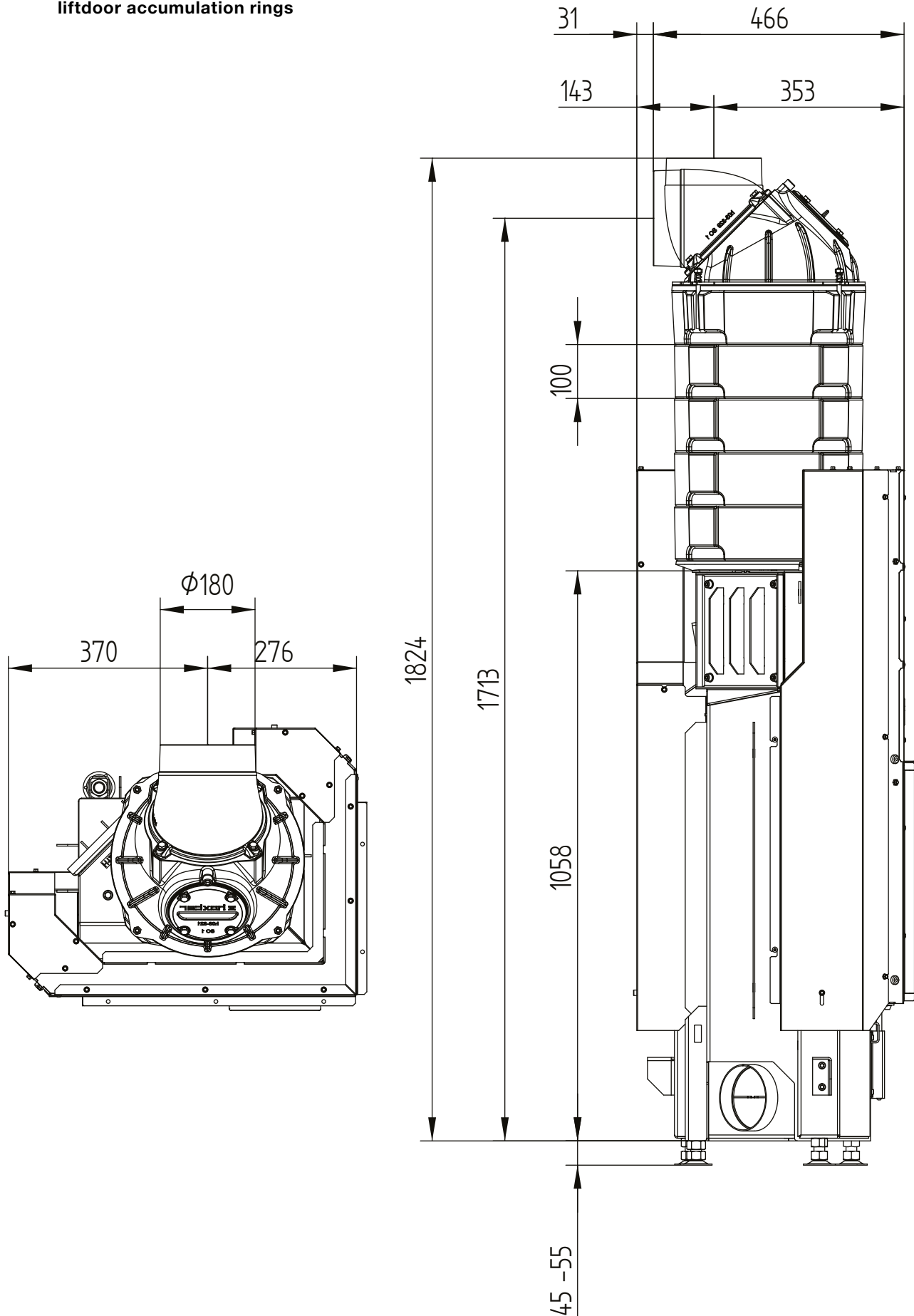


# ECKA 50/35/45R right

Technical data  
Version 2019/08

liftdoor accumulation rings

M 1:10

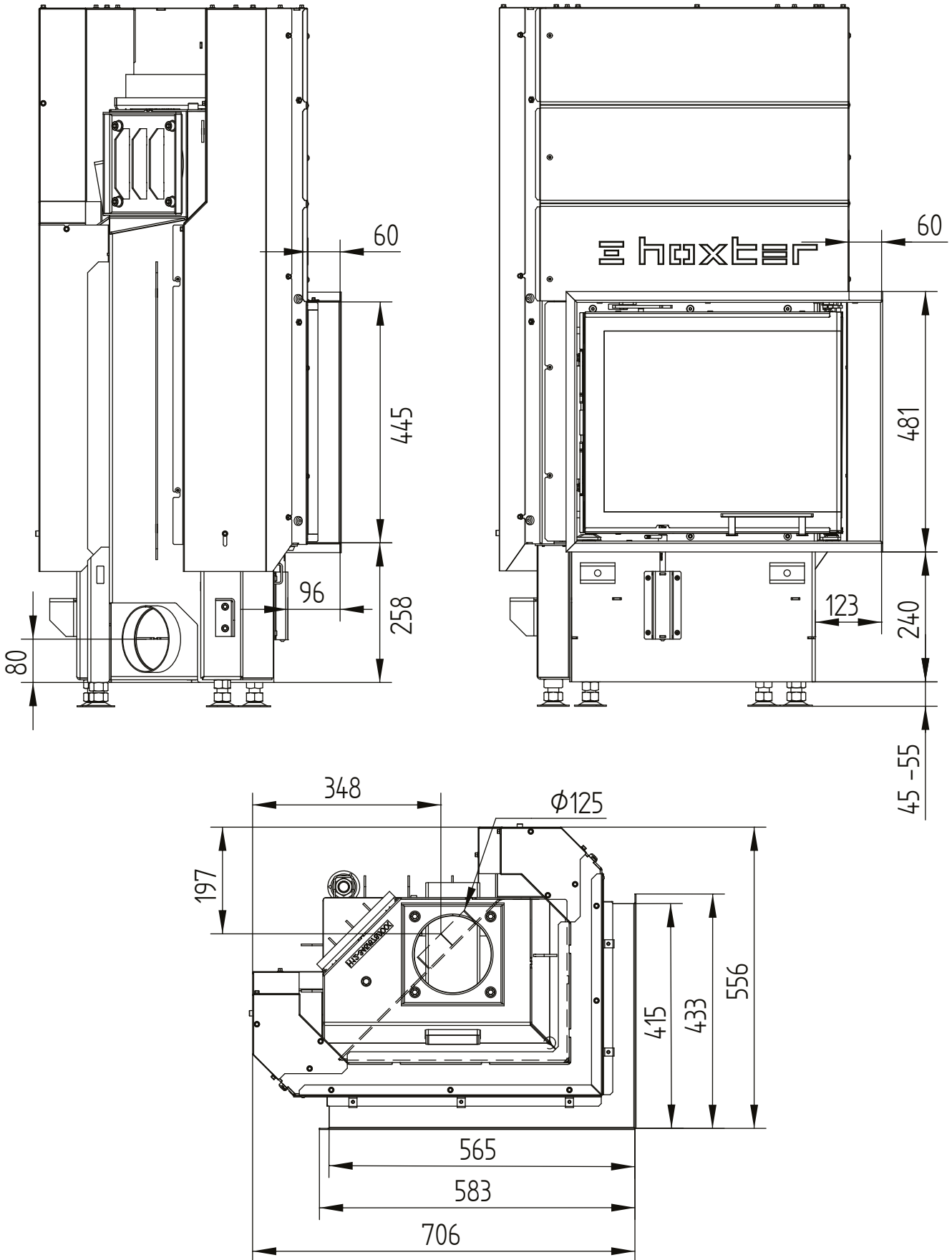


# ECKA 50/35/45R right

Technical data  
Version 2019/08

cover frame 50/35/45Rh right liftdoor 6sides 60 mm 1 x 90° / air connection

M 1:10

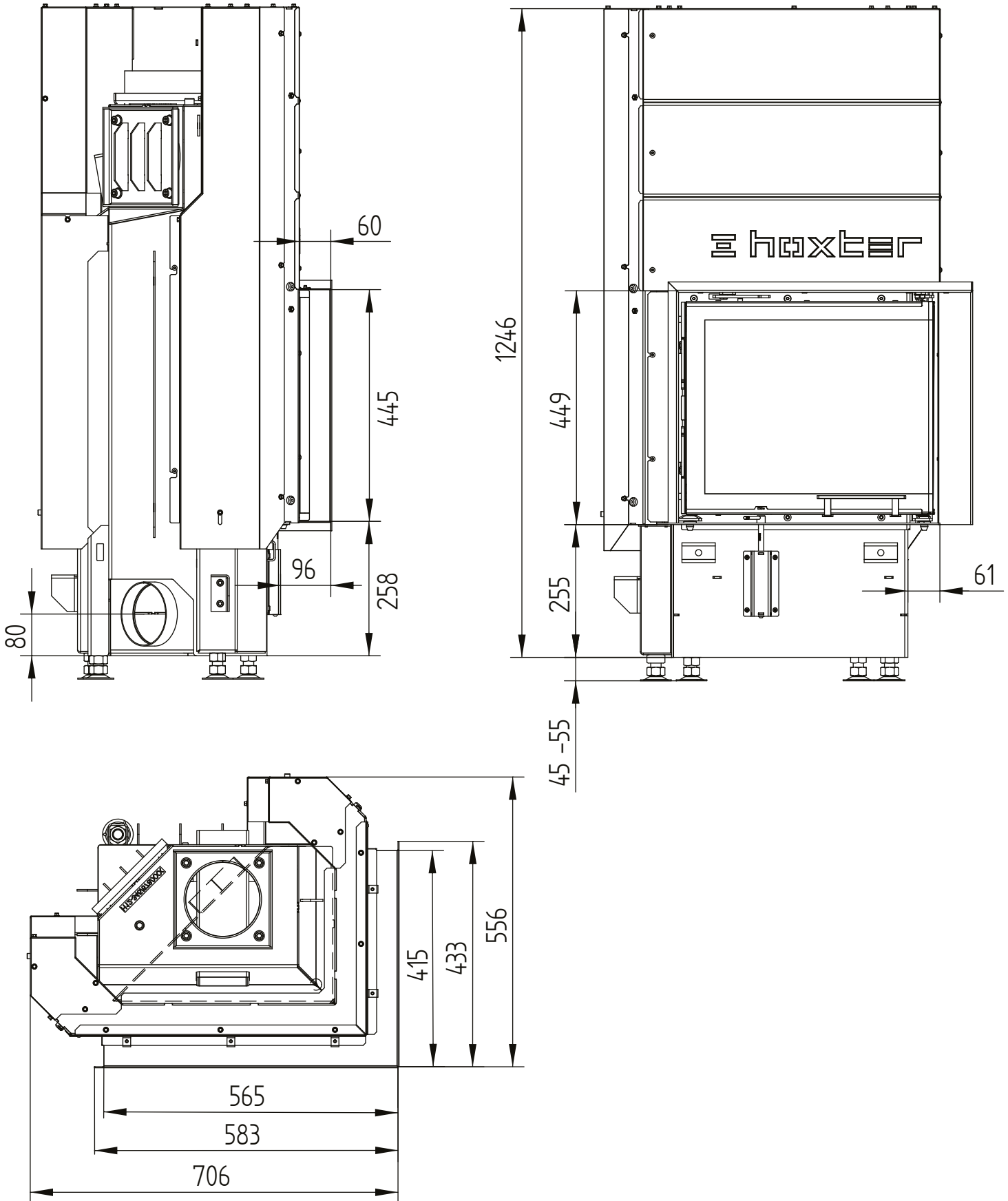


# ECKA 50/35/45R right

Technical data  
Version 2019/08

cover frame 50/35/45Rh right liftdoor 4sides 60 mm 1 x 90°

M 1:10



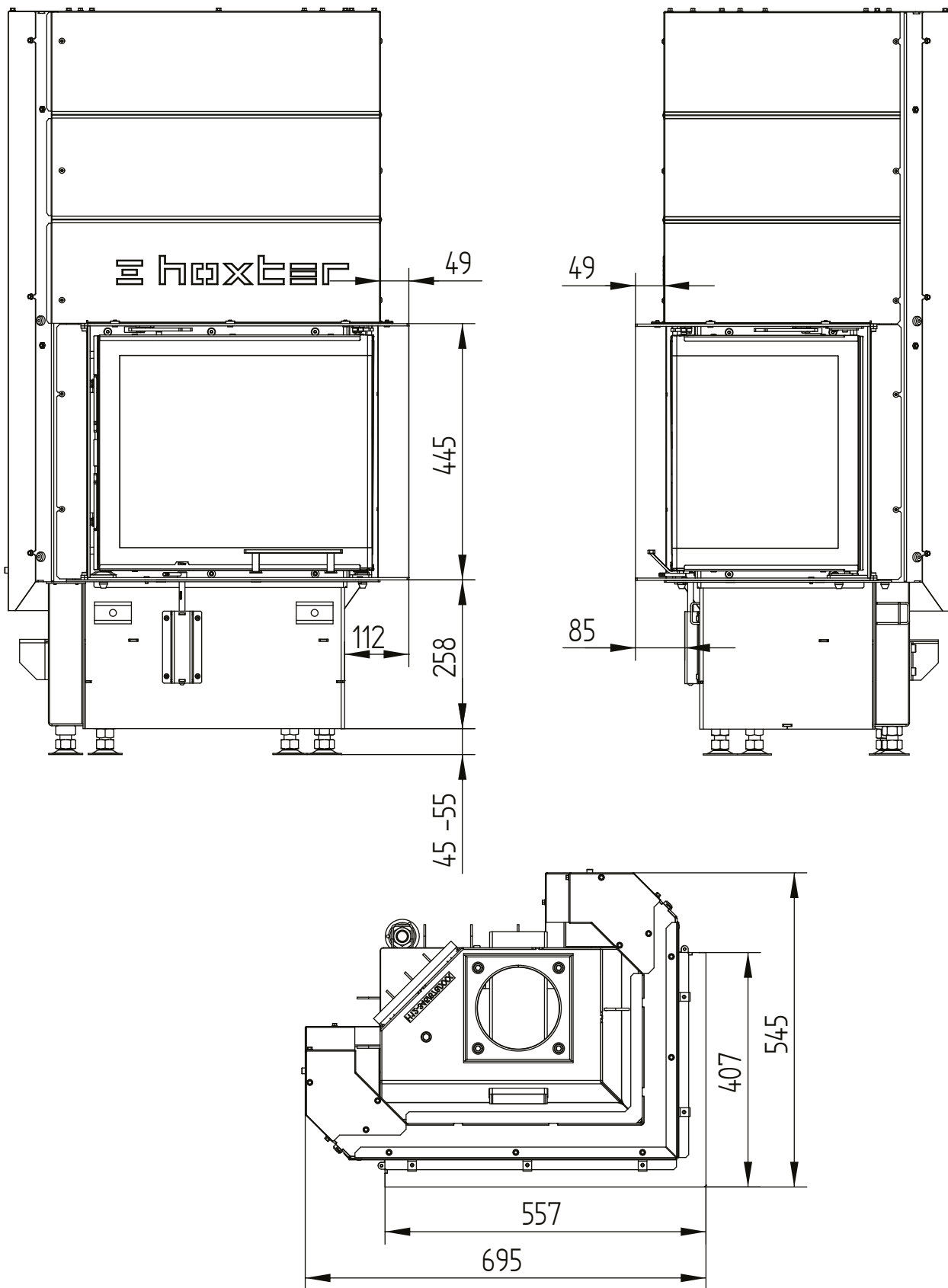


# ECKA 50/35/45R right

Technical data  
Version 2019/08

build-on frame 50/35/45Rh right liftdoor 6sides 50 mm

M 1:10

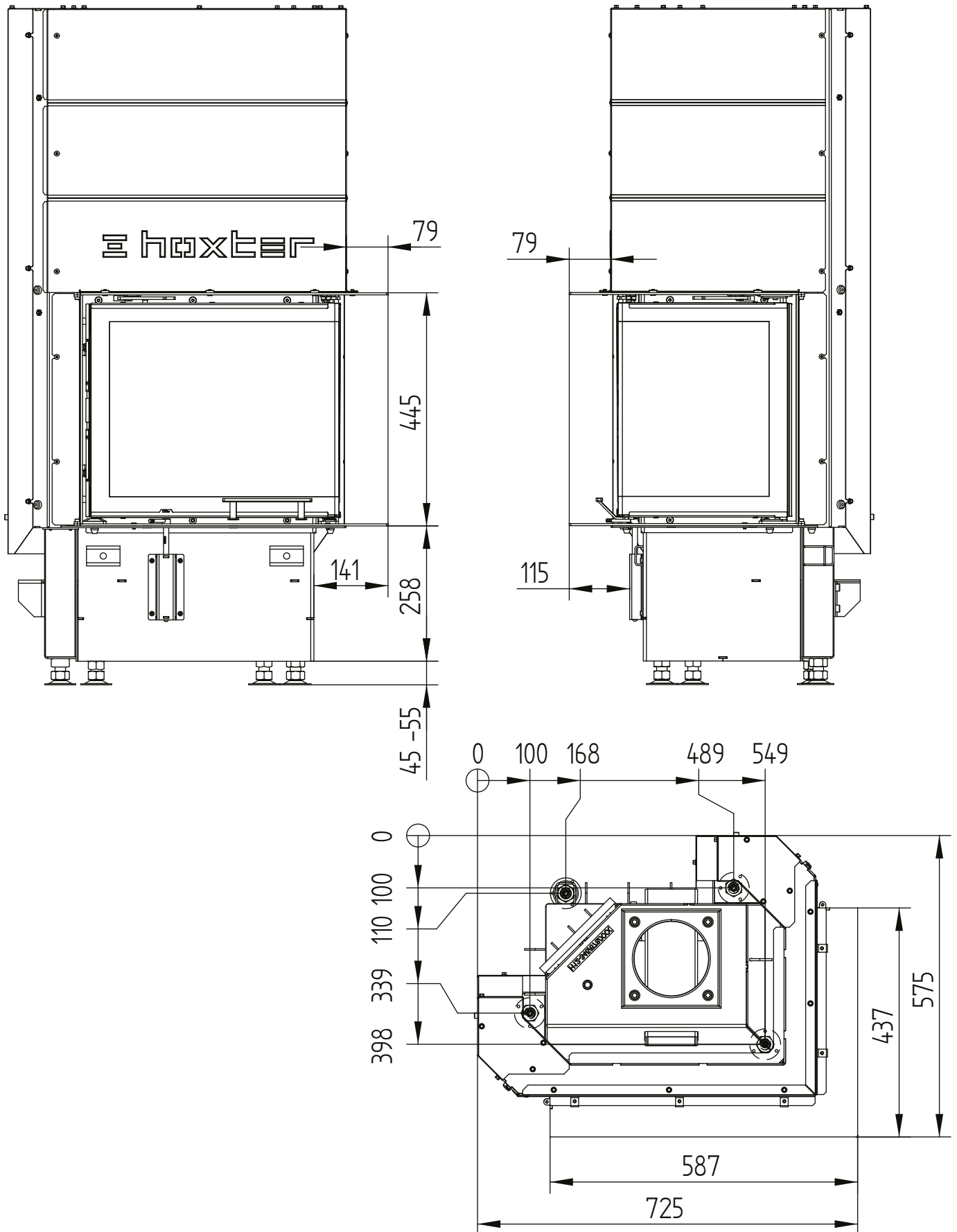


# ECKA 50/35/45R right

Technical data  
Version 2019/08

build-on frame 50/35/45Rh right liftdoor 6sides 80 mm / feet

M 1:10



# ECKA 50/35/45R right

Technical data  
Version 2019/08

build-on frame 50/35/45Rh right liftdoor 4sides 80 mm

M 1:10

