

OPERATION WHEN DIRECTLY CONNECTED TO CHIMNEY	Cupola	Hot air exchanger
Tested according to	EN 13229	EN 13229
Nominal heat power	8 kW	13 kW
Efficiency	> 80 %	> 80 %
Consumption of wood	2,5 kg/h	3,8 kg/h
Mass flow of flue gas	8,1 g/s	11 g/s
Average flue gas temperature on the output	239 °C	262 °C
Heat distribution		
fireplace insert	62–72 %	62–72 %
door glass (single / double)	38 / 28 %	38 / 28 %
Required chimney pressure	12 Pa	12 Pa
Required amount of combustion air	30 m ³ /h	40 m ³ /h
Minimum supply air grating cross-section	800 cm ²	1 200 cm ²
Minimum outgoing air grating cross-section	950 cm ²	1 450 cm ²

OPERATION WITH CONNECTED ACCUMULATION MASS	Cupola	Adaptor
Load of wood	6 kg	6 kg
Total heat output of the burning chamber	23 kW	23 kW
Mass flow of flue gas	20 g/s	20 g/s
Average flue gas temperature on the output ¹⁾	398 °C	407 °C
past 3,6 m of ceramic accumulation system KMS 300 ²⁾	182 °C	–
past 5 pcs of accumulation rings KAM + termination ring	–	228 °C
Heat distribution		
fireplace insert	35 %	30 %
door glass (single / double)	38 / 28 %	38 / 28 %
adjoining accumulation mass	23–37 %	32–42 %
Required chimney pressure	12 Pa	12 Pa
Minimum radiant area ³⁾	ca. 5,0 m ²	ca. 5,0 m ²
Required amount of combustion air	60 m ³ /h	60 m ³ /h

GENERAL TECHNICAL INFORMATION	
Combustion air connection	Ø 125 mm
Total weight / lining weight	ca. 245 / 81 kg
Use in non-ventilated accumulation builds according to craft rules	suitable
Meets values	BImSchV (Stufe2), 15a BVG

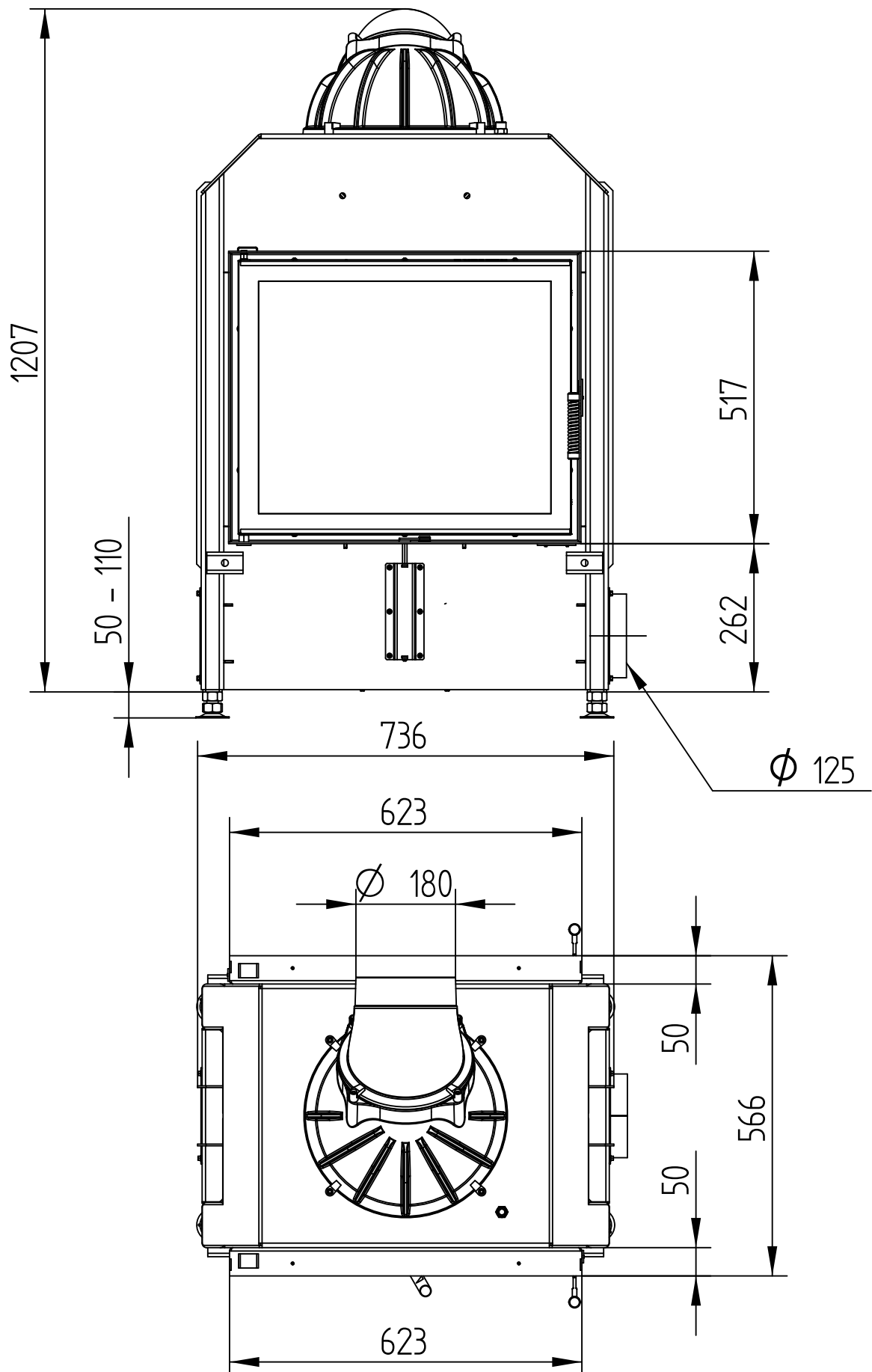
- 1) The Hoxter products are available in the Austrian stove-calculation program for evaluation of firebrick accumulation systems.
- 2) Only a sample calculation! For accurate results is evaluation of each system in the KMS-calculation program from the Ortner company necessary.
- 3) Depends on accumulation period and material characteristics and its thickness. Calculated with heat emission of the radiant area ca. 500 W/m².hr

HAKA 63/51T

Technical data
Version 01/2018

WITH CUPOLA

M 1 : 10

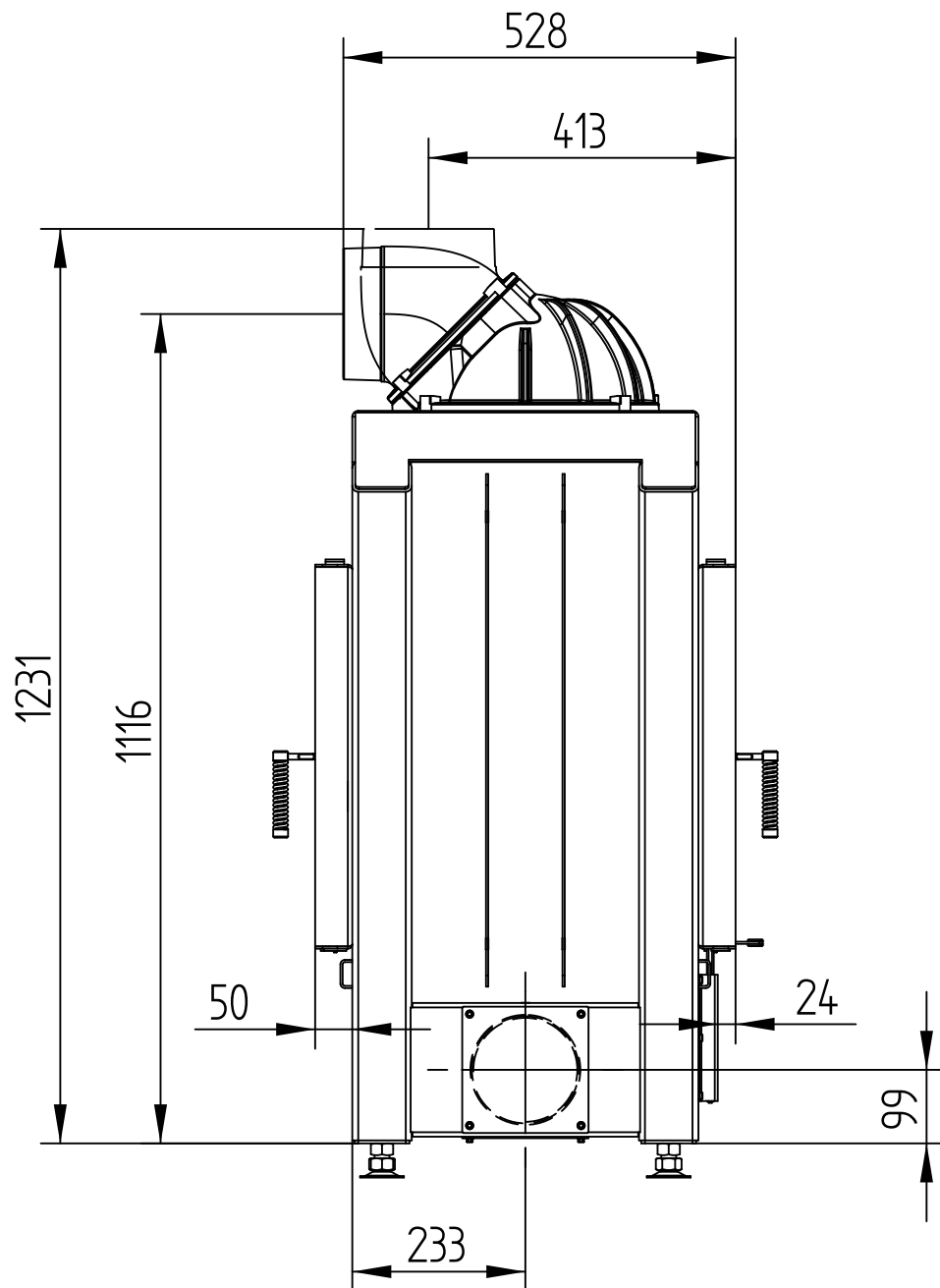


HAKA 63/51T

WITH CUPOLA

Technical data
Version 01/2018

M 1 : 10

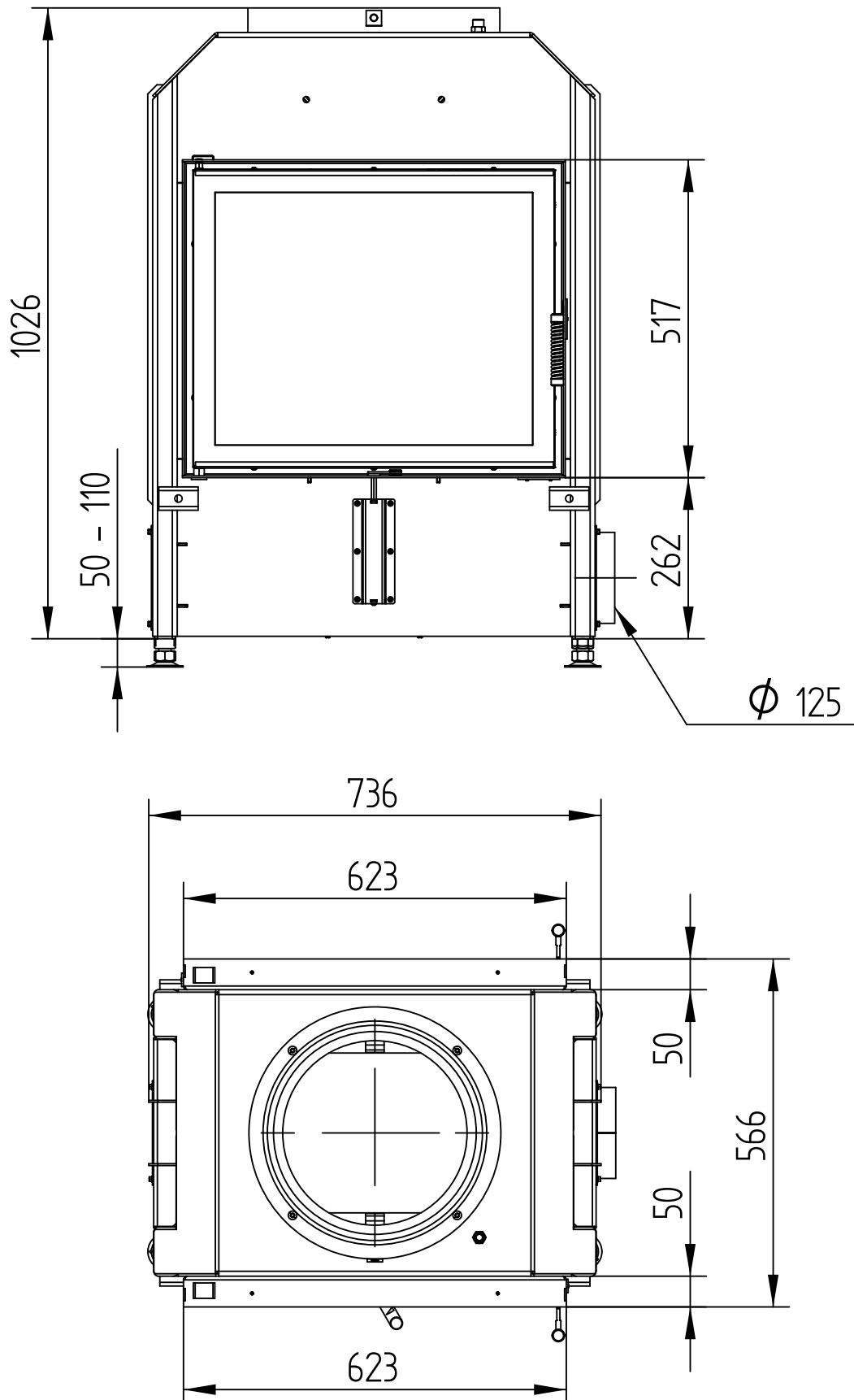


HAKA 63/51T

Technical data
Version 01/2018

WITH ADAPTOR

M 1 : 10

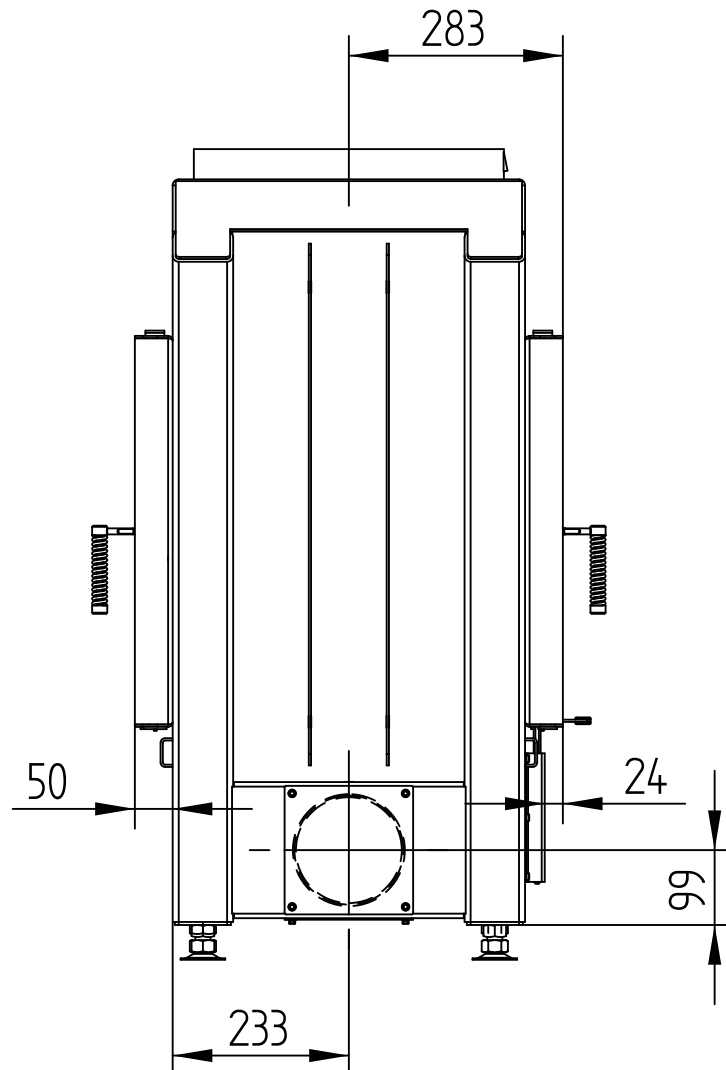


HAKA 63/51T

WITH ADAPTOR

Technical data
Version 01/2018

M 1 : 10

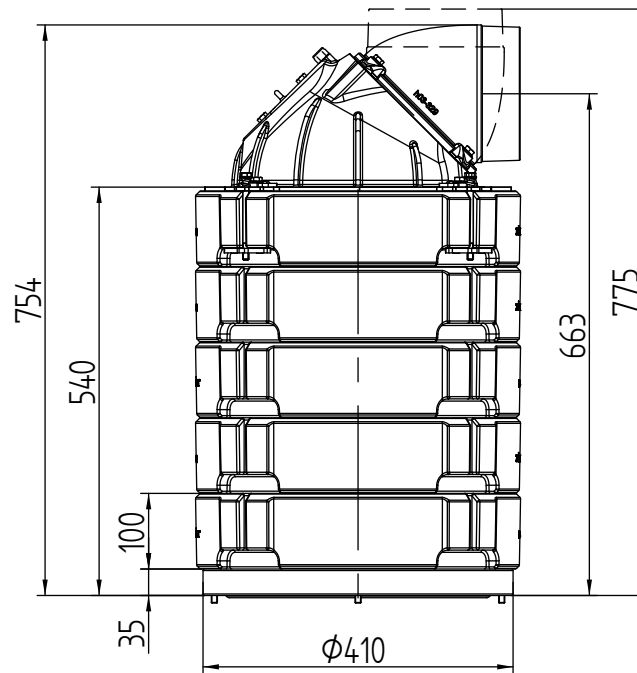


HAKA 63/51T

ACCUMULATION SET

Technical data
Version 01/2018

M 1 : 10

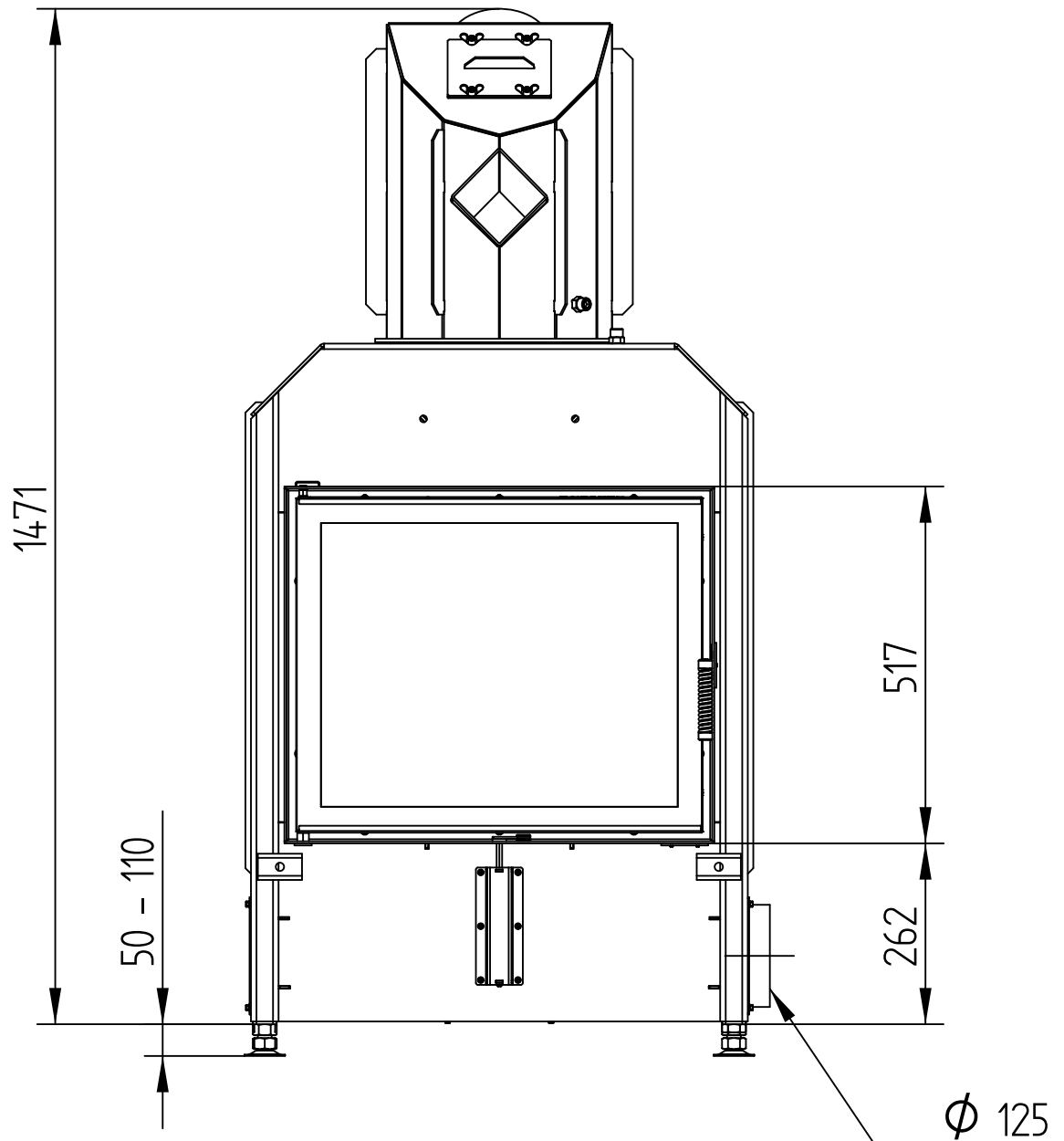


HAKA 63/51T

WITH HOT AIR EXCHANGER

Technical data
Version 01/2018

M 1 : 10

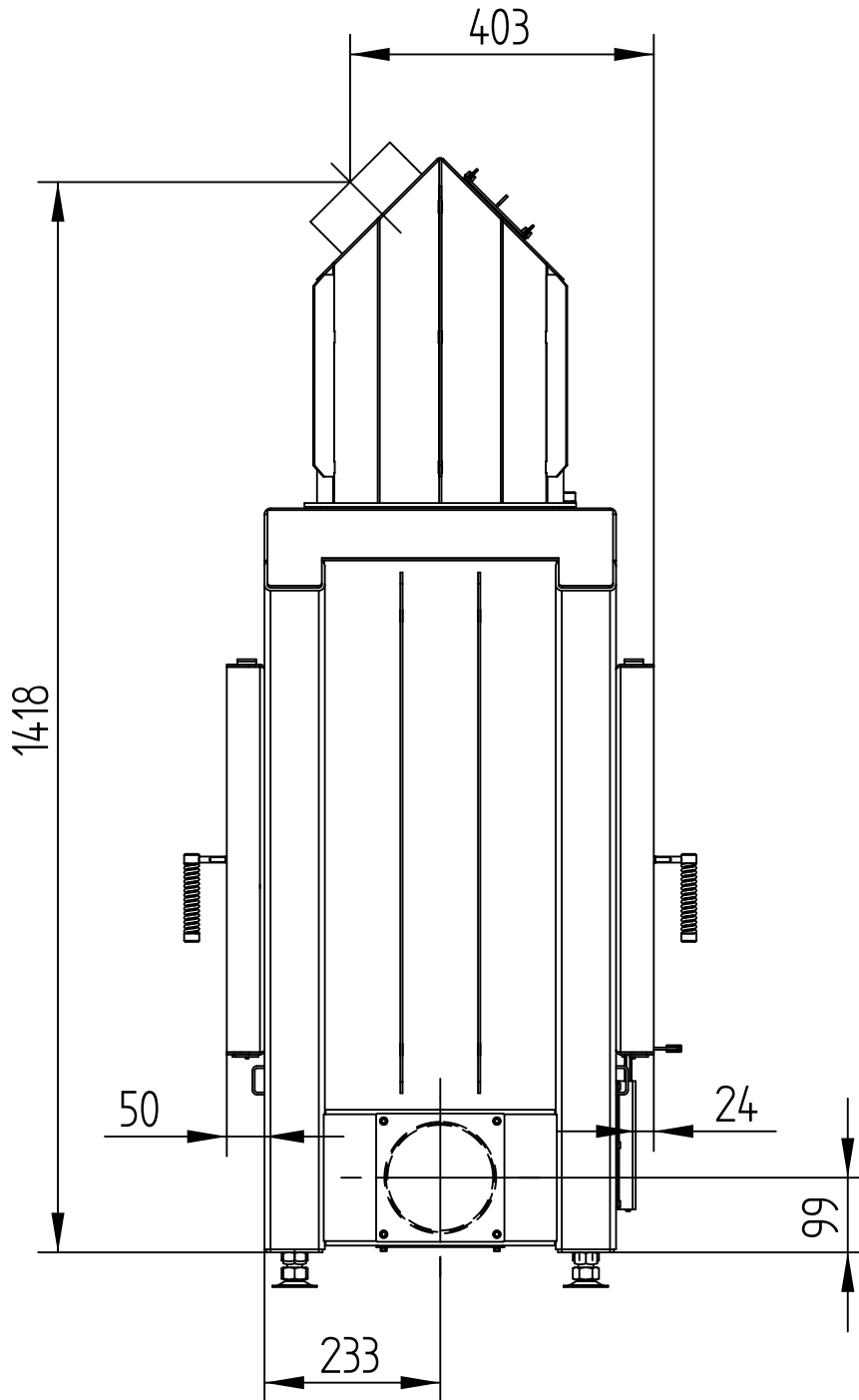


HAKA 63/51T

WITH HOT AIR EXCHANGER

Technical data
Version 01/2018

M 1 : 10

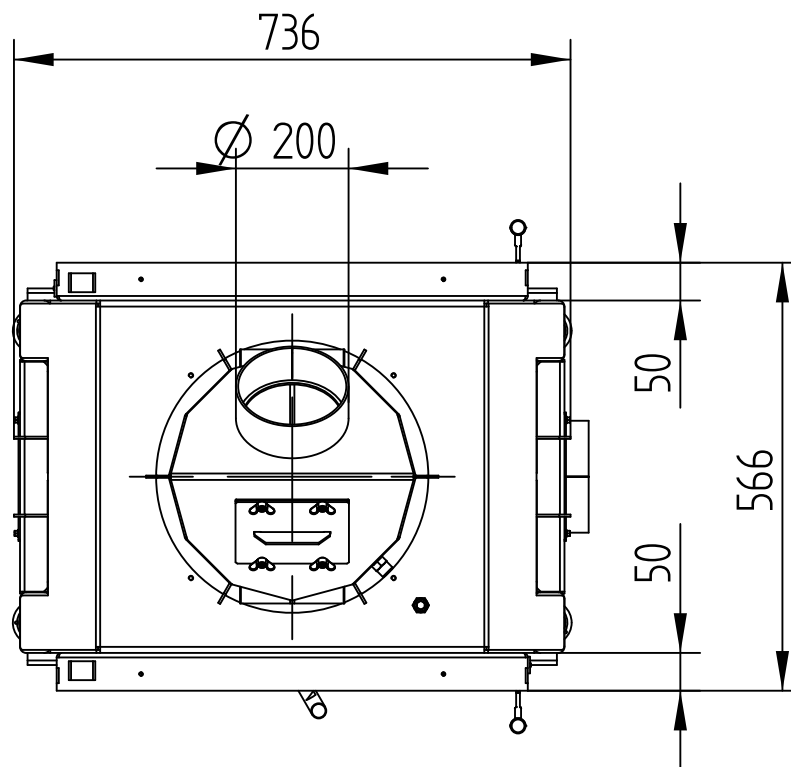


HAKA 63/51T

WITH HOT AIR EXCHANGER

Technical data
Version 01/2018

M 1 : 10

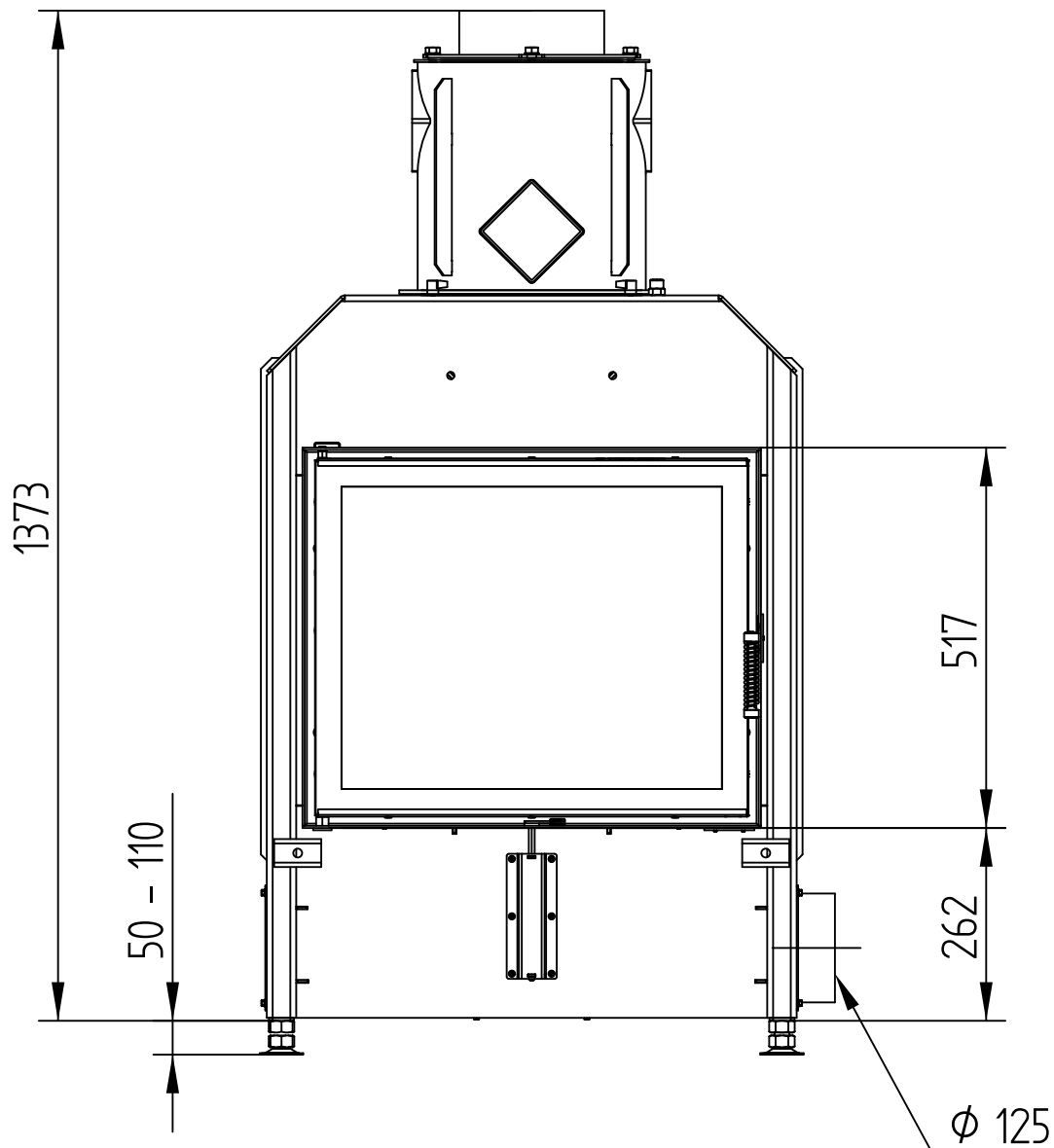


HAKA 63/51T

Technical data
Version 01/2018

WITH HOT AIR EXCHANGER VERTICAL

M 1 : 10

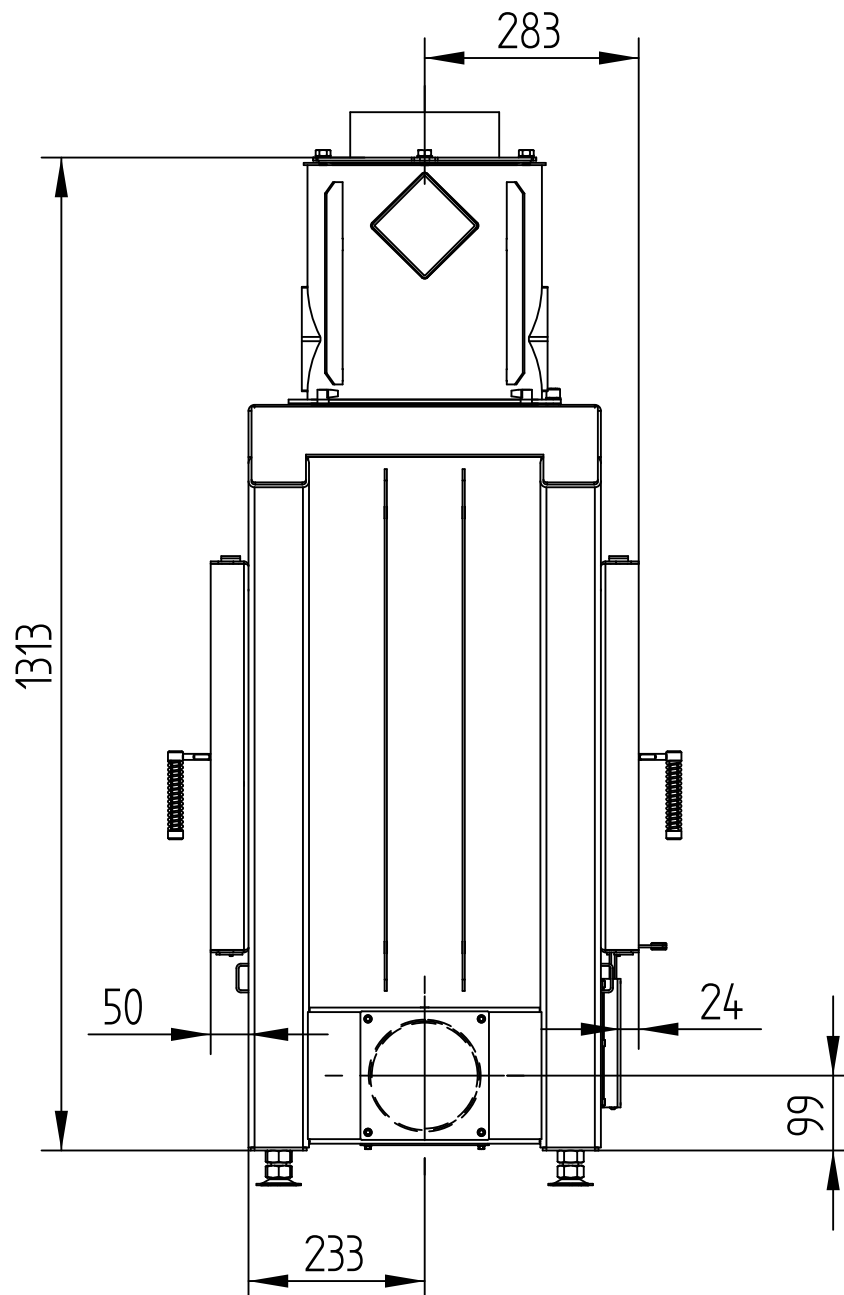


HAKA 63/51T

WITH HOT AIR EXCHANGER VERTICAL

Technical data
Version 01/2018

M 1 : 10

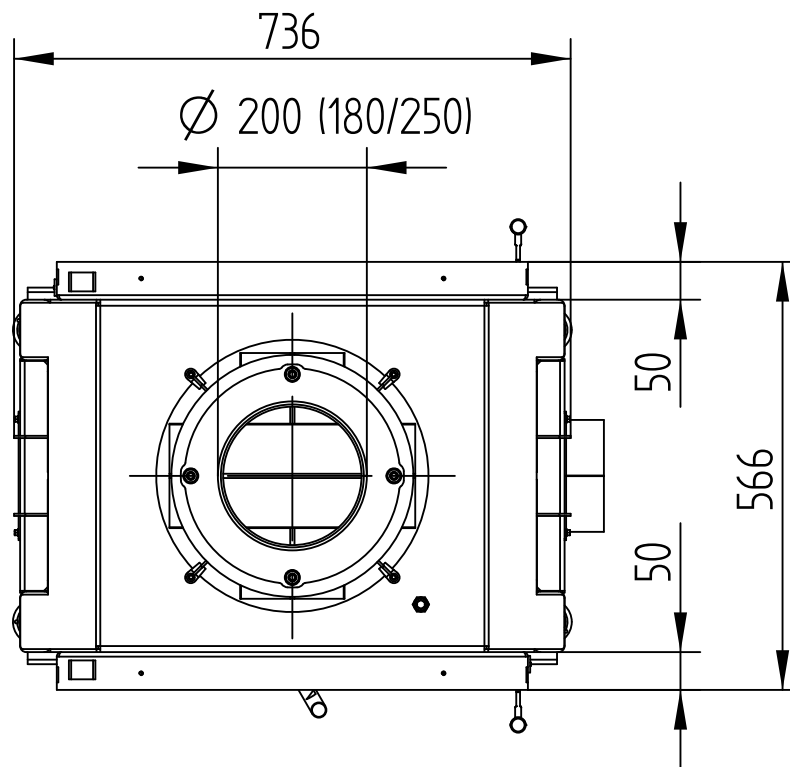


HAKA 63/51T

WITH HOT AIR EXCHANGER VERTICAL

Technical data
Version 01/2018

M 1 : 10

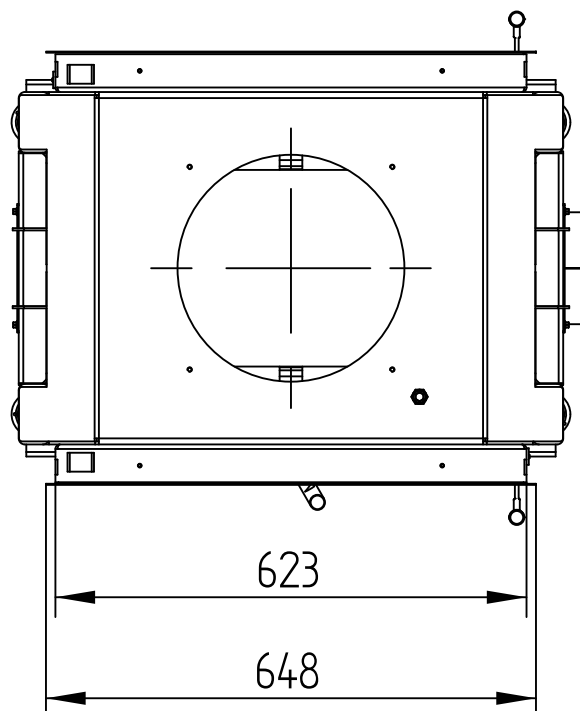
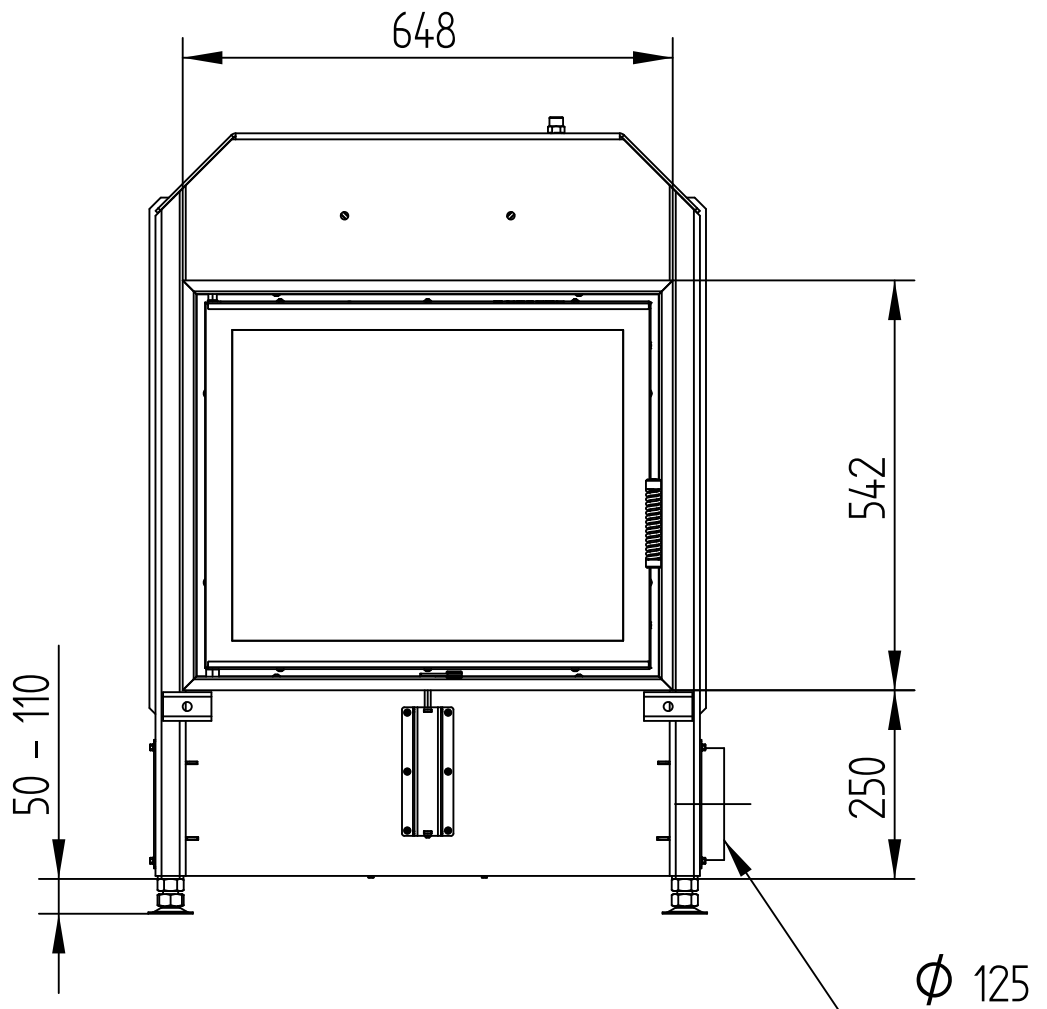


HAKA 63/51T

COVER FRAME 4-SIDED 1 x 90°

Technical data
Version 01/2018

M 1 : 10

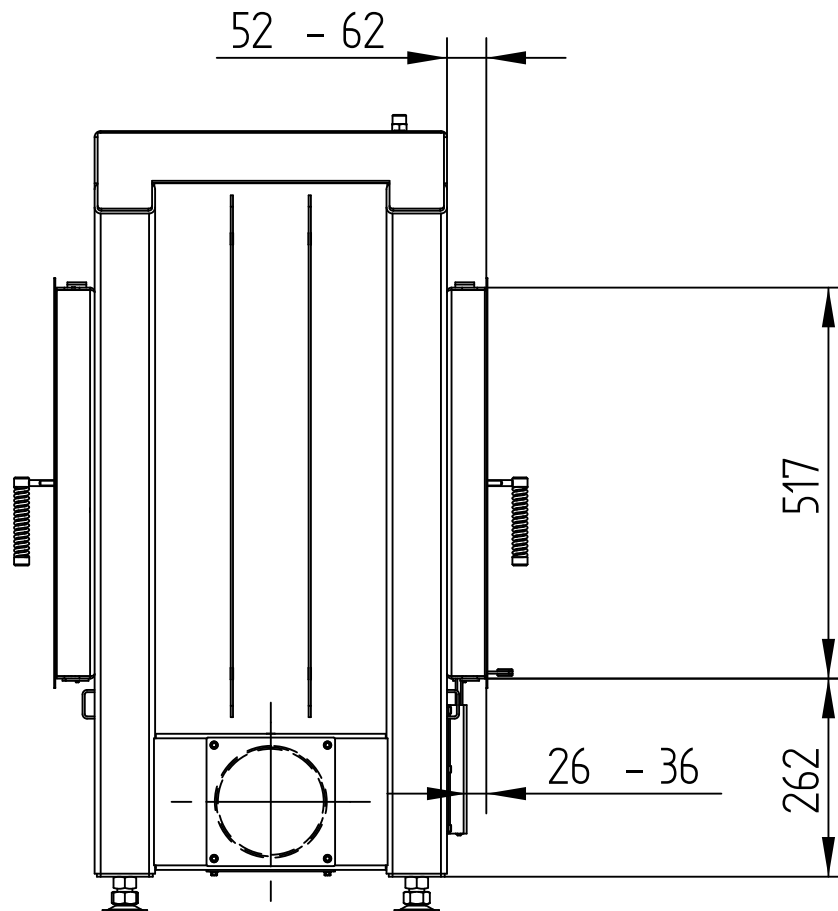


HAKA 63/51T

COVER FRAME 4-SIDED 1 x 90°

Technical data
Version 01/2018

M 1 : 10

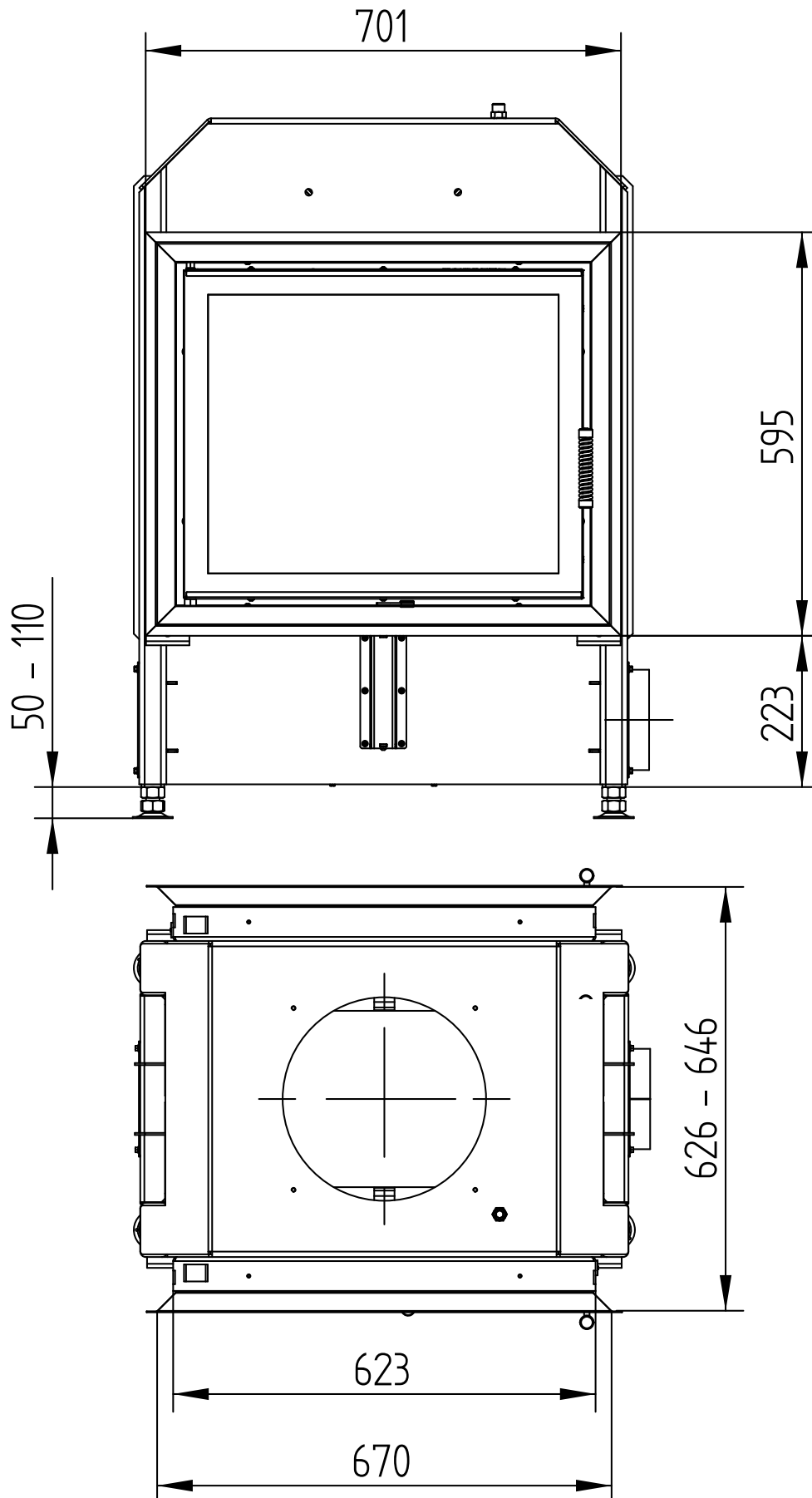


HAKA 63/51T

Technical data
Version 01/2018

COVER FRAME 4-SIDED 2 x 45°

M 1 : 10



HAKA 63/51T

COVER FRAME 4-SIDED 2 x 45°

Technical data
Version 01/2018

M 1 : 10

