

HAKA 63/51W rear feeding

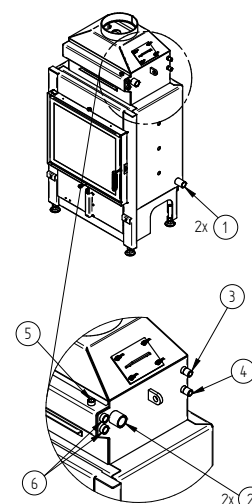
Technical data

Version 2019/08

	operation when directly connected to chimney	
	HAKA 63/51Wa	HAKA 63/51Wa+
Energy label	A+	A+
Operating data		
Nominal heat power / Power absorbed to water	14,5 / 9,5 kW	22 / 12,7 kW
Efficiency	> 80 %	> 80 %
Consumption of wood	4 kg/h	6 kg/h
Mass flow of flue gas	13 g/s	17 g/s
Required chimney pressure	12 Pa	12 Pa
Required amount of combustion air	40 m³/h	60 m³/h
Average flue gas temperature		
on the output	225 °C	252 °C
Heat distribution		
fireplace insert	20 %	22 %
door glass (single / double)	0 / 17 %	0 / 22 %
water	63 %	58 %
Water exchanger specifications		
Maximum working pressure	2,5 bar	2,5 bar
Minimum return water temperature	55 °C	55 °C
Water capacity	55 liter	55 liter
Connection input / output	1 / 1 G	1,5 / 1,5 G
Information for builds		
Minimal grill area supply / outgoing (with vent. grill)	350 / 400 cm²	600 / 700 cm²
Minimum radiant area ³ (without vent. grill)	2 m²	2 m²
Minimum distance from insulated areas / floor	40 / 0 mm	20 / 0 mm
Reference insulation ¹ ceiling / back wall / side wall / floor	100 / 60 / 60 / 0 mm	80 / 40 / 40 / 0 mm
Calciumsilicate insulation ² ceiling / back wall / side wall / floor	60 / 25 / 25 / 0 mm	60 / 25 / 25 / 0 mm
General technical information		
Total weight / lining weight	ca. 322 / 96 kg	ca. 330 / 96 kg
Burning chamber dimensions (width x depth)	525 x 315 mm	
Combustion air connection	Ø 125 mm	Ø 150 mm
Use in non-ventilated accumulation builds according to craft rules	suitable	
Tested according to	EN 13229	
Meets values	BlmSchV (Stufe2), 15a BVG	

Nr.	Thread size		Description
	63/51Wa	63/51Wa+	
1	G 1" (IG)	G 1 1/2" (IG)	Water supply from heating system - min. 55°C
2	G 1" (IG)	G 1 1/2" (IG)	Hot water supply to heating system
3	G 1/2" (AG)	G 1/2" (AG)	Water supply from the waterlines into the cooling loop
4	G 1/2" (AG)	G 1/2" (AG)	Discharge of water from the cooling loop into the waste
5	G 3/8" (IG)	G 3/8" (IG)	Pocket for air vent valve
6	G 1/2" (IG)	G 1/2" (IG)	Pocket for thermal sensors

- 1 Mineral wool according to AGI-Q 132
- 2 Example SkamoEnclousure Board 225 kg/m³
- 3 Depends on accumulation period and material characteristics.
Listed values calculated with chamotte stone thickness 30 mm with radiant area 500 W/m²

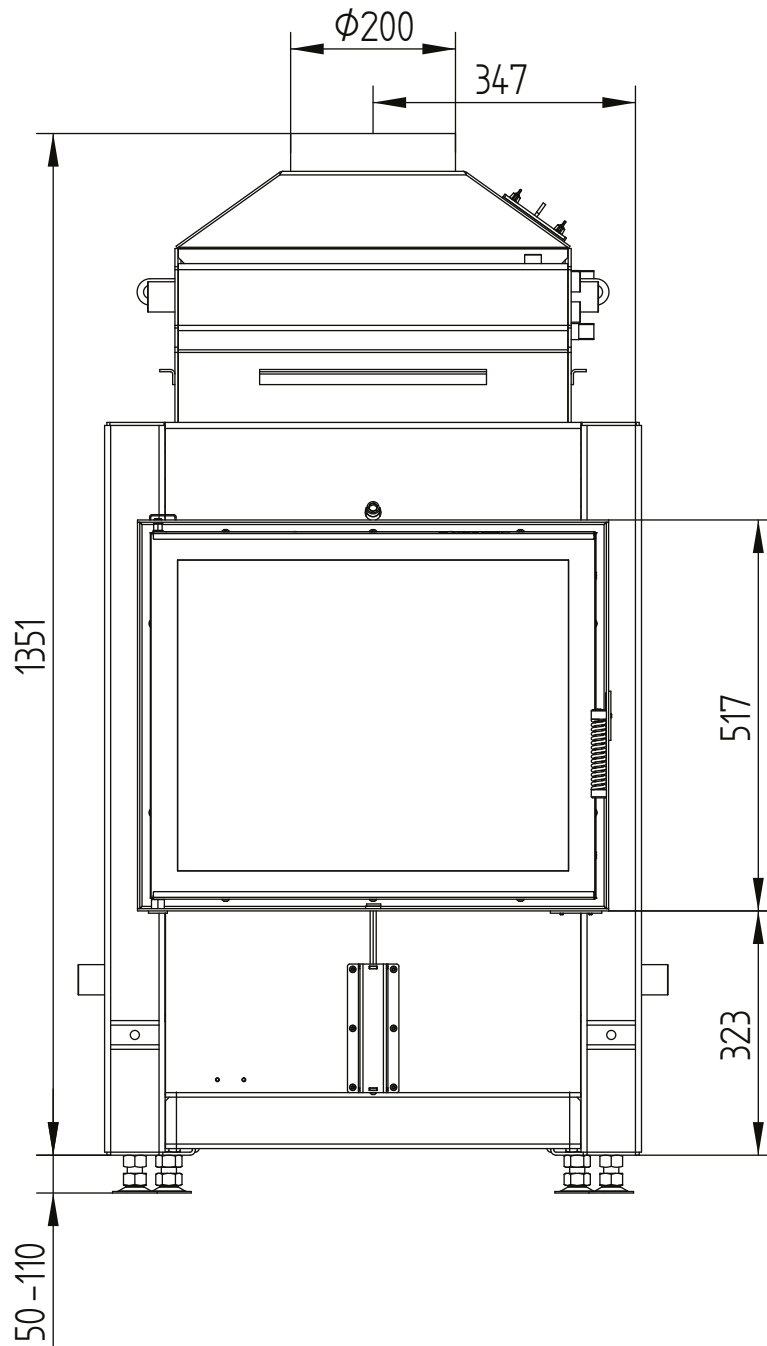


HAKA 63/51W rear feeding

Technical data
Version 2019/08

air intake / feet

M 1:10

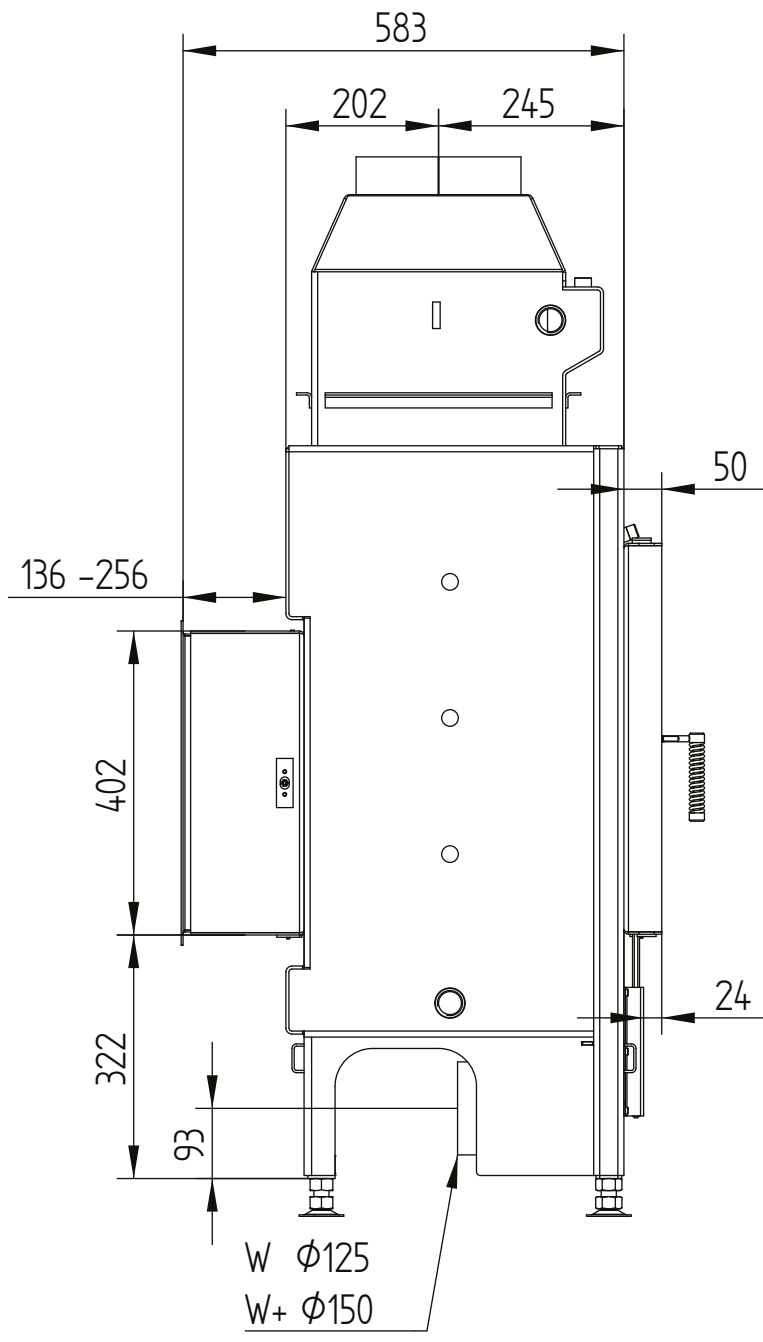


HAKA 63/51W rear feeding

Technical data
Version 2019/08

air intake / feet

M 1:10

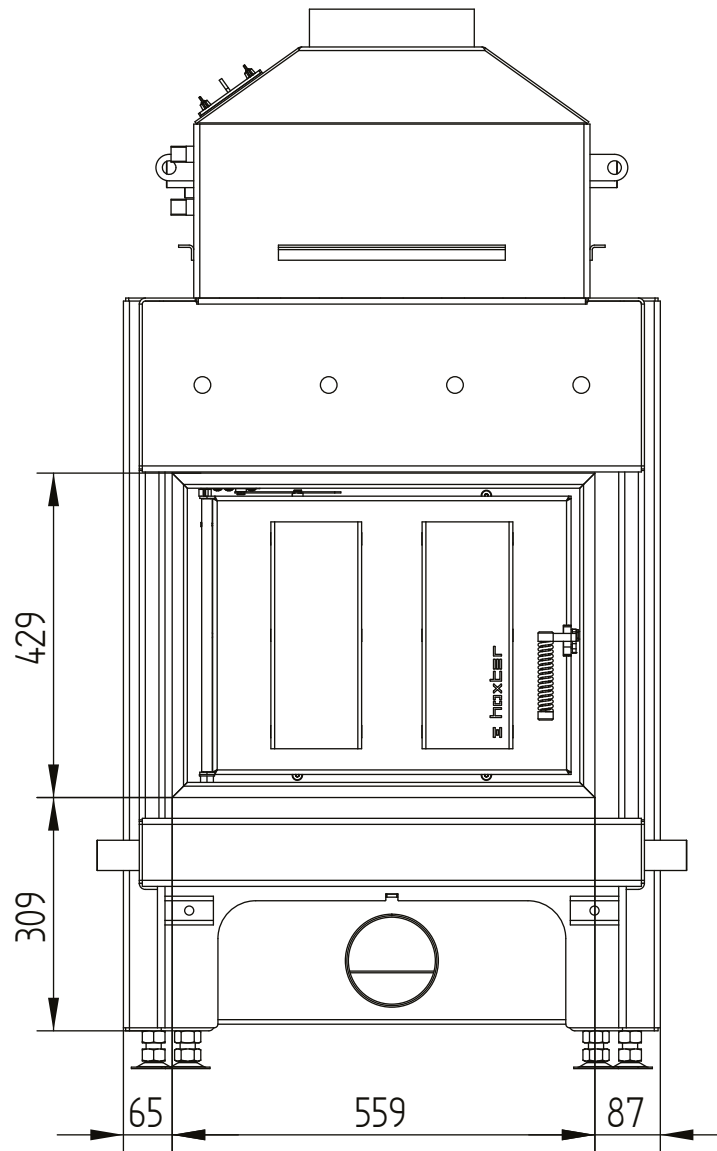


HAKA 63/51W rear feeding

Technical data
Version 2019/08

air intake / feet

M 1:10

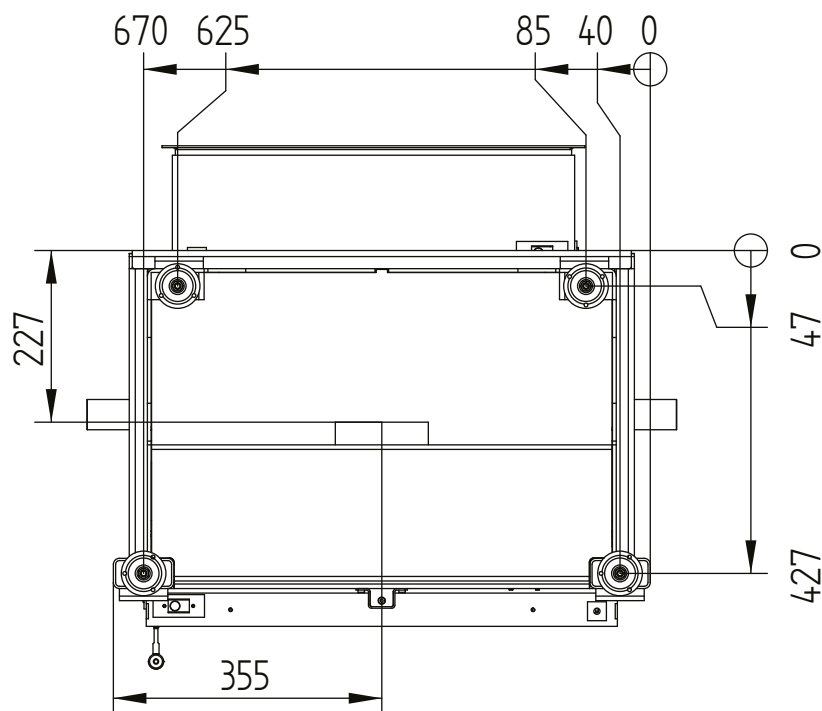
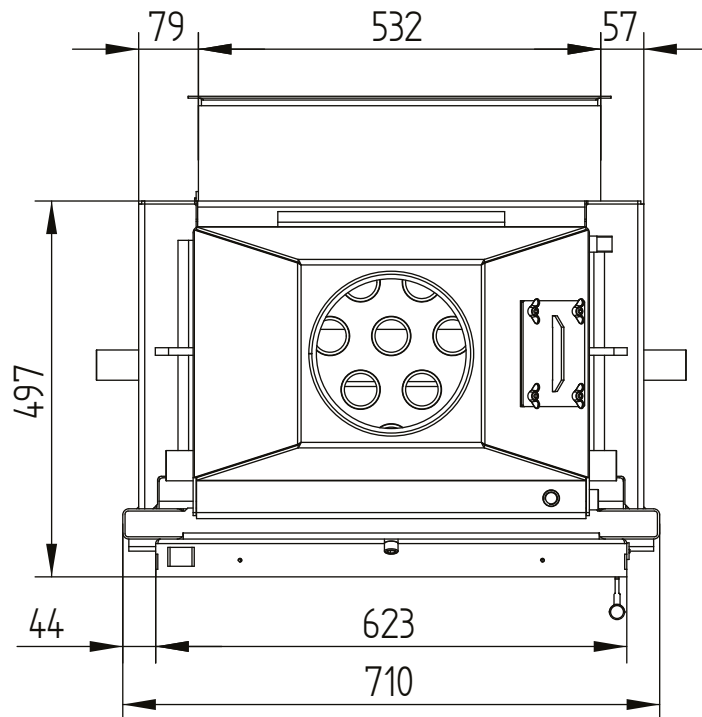


HAKA 63/51W rear feeding

Technical data
Version 2019/08

air intake / feet

M 1:10

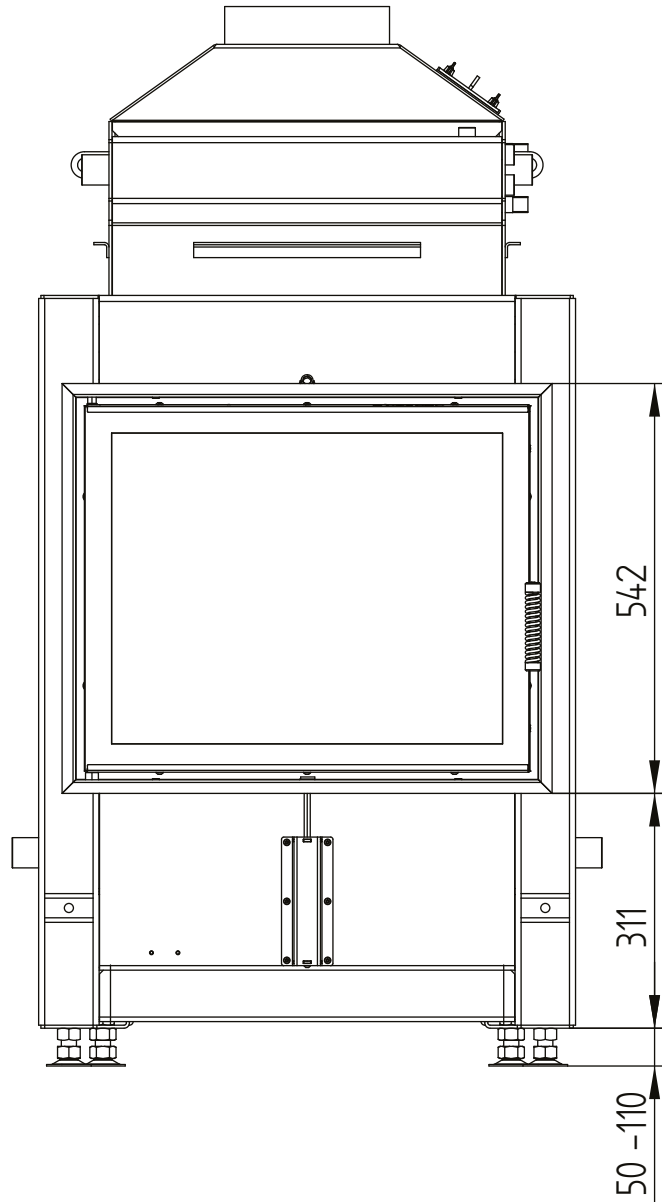


HAKA 63/51W rear feeding

Technical data
Version 2019/08

cover frame 63/51 4sides 50 mm 1 x 90°

M 1:10

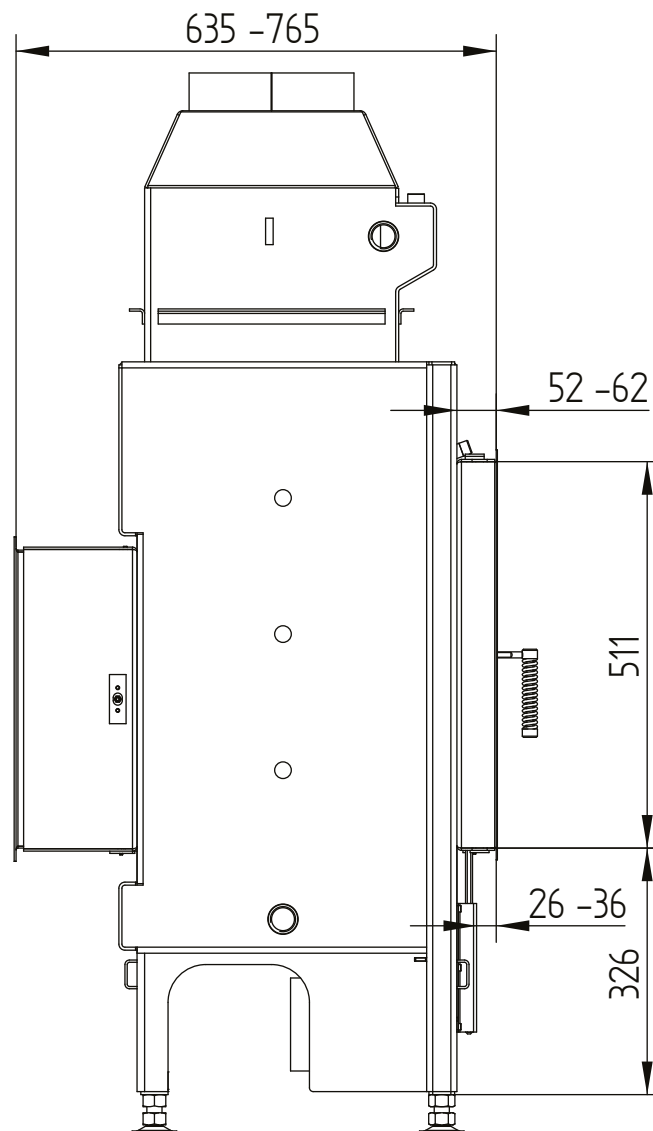


HAKA 63/51W rear feeding

Technical data
Version 2019/08

cover frame 63/51 4sides 50 mm 1 x 90°

M 1:10

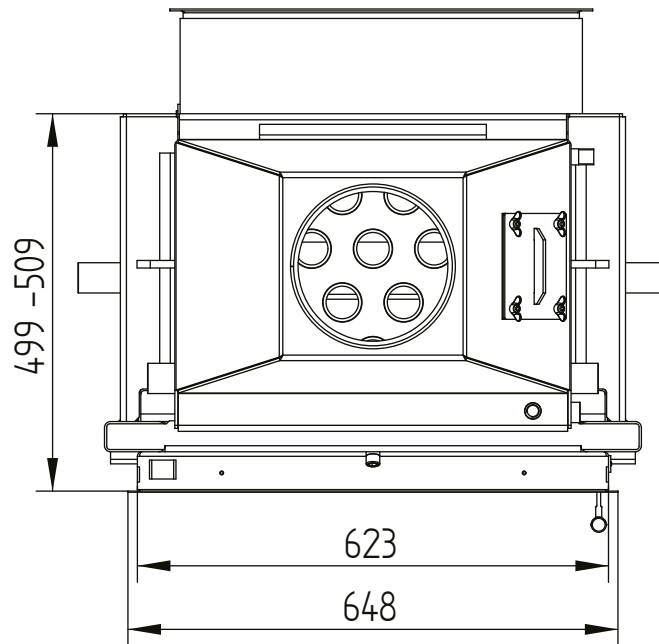


HAKA 63/51W rear feeding

Technical data
Version 2019/08

cover frame 63/51 4sides 50 mm 1 x 90°

M 1:10

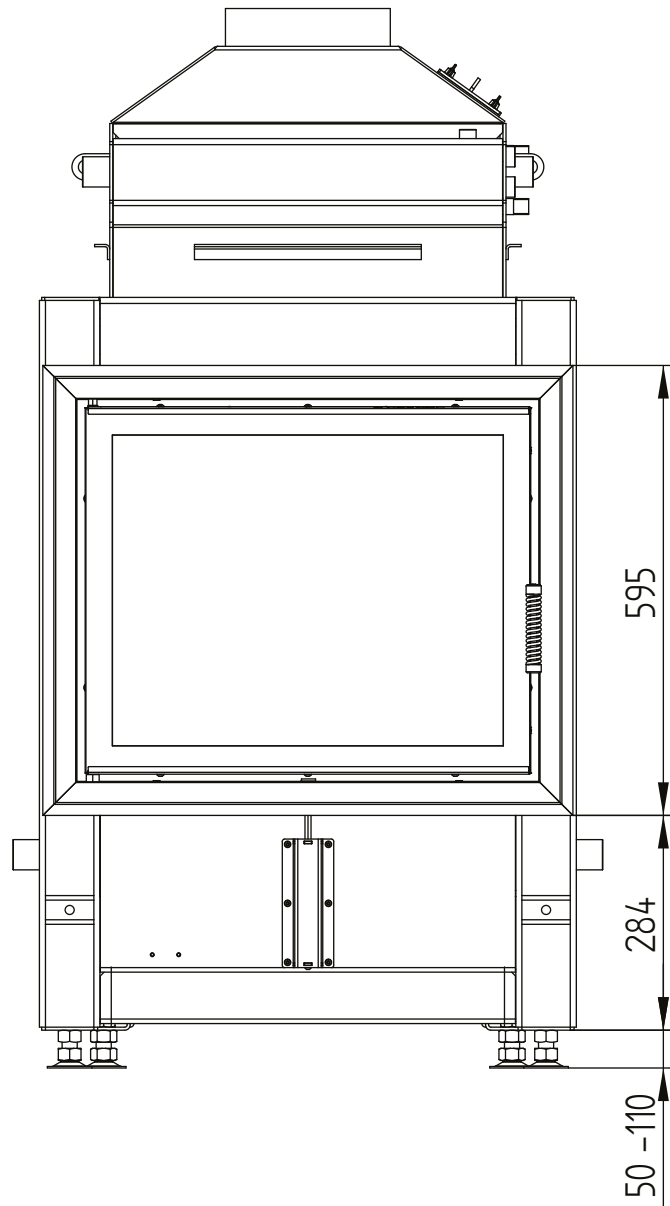


HAKA 63/51W rear feeding

Technical data
Version 2019/08

cover frame 63/51 4sides 80 mm 2 x 45°

M 1:10

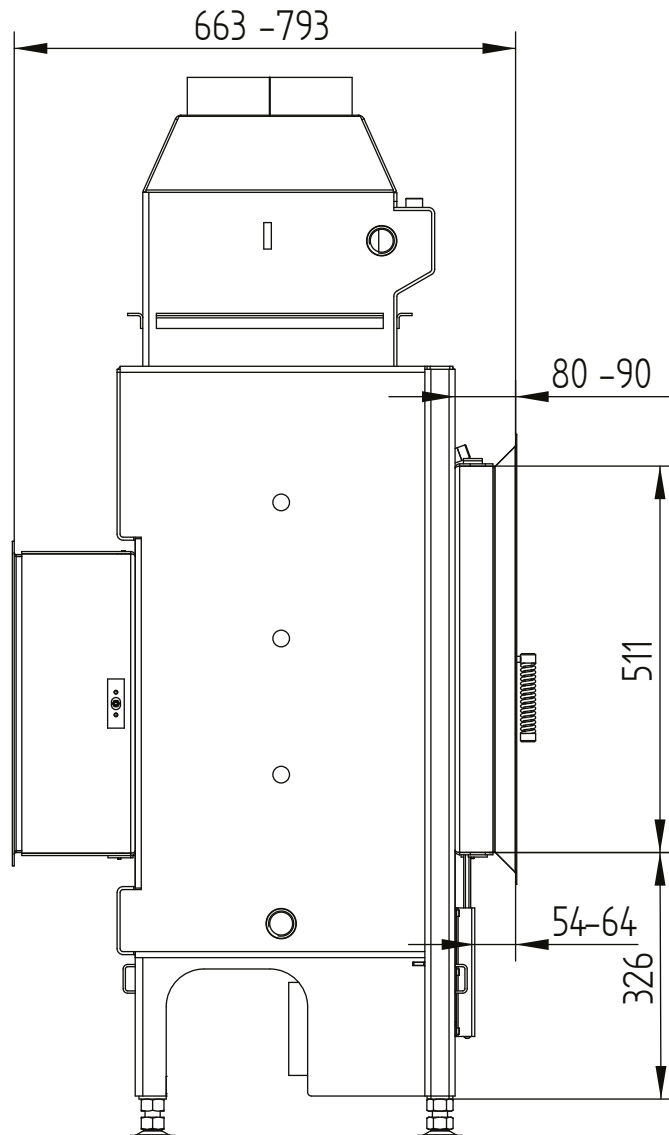


HAKA 63/51W rear feeding

Technical data
Version 2019/08

cover frame 63/51 4sides 80 mm 2 x 45°

M 1:10



HAKA 63/51W rear feeding

Technical data
Version 2019/08

cover frame 63/51 4sides 80 mm 2 x 45°

M 1:10

