

OPERATION WHEN DIRECTLY CONNECTED TO CHIMNEY	Cupola	Hot air exchanger
Tested according to	EN 13229	EN 13229
Nominal heat power	8 kW	12 kW
Efficiency	> 80 %	> 80 %
Consumption of wood	2,4 kg/h	3,5 kg/h
Mass flow of flue gas	8 g/s	10 g/s
Average flue gas temperature on the output	230 °C	277 °C
Heat distribution		
fireplace insert	65–82 %	65–82 %
door glass (single / double)	35 / 18 %	35 / 18 %
Required chimney pressure	12 Pa	12 Pa
Required amount of combustion air	20 m ³ /h	30 m ³ /h
Minimum supply air grating cross-section	900 cm ²	1 200 cm ²
Minimum outgoing air grating cross-section	1 050 cm ²	1 400 cm ²

OPERATION WITH CONNECTED ACCUMULATION MASS	Cupola	Adaptor
Load of wood	5,5 kg	5,5 kg
Total heat output of the burning chamber	22 kW	22 kW
Mass flow of flue gas	20 g/s	20 g/s
Average flue gas temperature on the output ¹⁾	382 °C	394 °C
past 3,6 m of ceramic accumulation system KMS 300 ²⁾	180 °C	–
past 5 pcs of accumulation rings KAM + termination ring	–	235 °C
Heat distribution		
fireplace insert	40 %	35 %
door glass (single / double)	35 / 18 %	35 / 18 %
adjoining accumulation mass	25–42 %	30–47 %
Required chimney pressure	12 Pa	12 Pa
Minimum radiant area ³⁾	ca. 5 m ²	ca. 5 m ²
Required amount of combustion air	60 m ³ /h	60 m ³ /h

GENERAL TECHNICAL INFORMATION	
Combustion air connection	Ø 125 mm
Total weight / lining weight	ca. 290 / 104 kg
Use in non-ventilated accumulation builds according to craft rules	suitable
Meets values	BlmSchV (Stufe2), 15a BVG

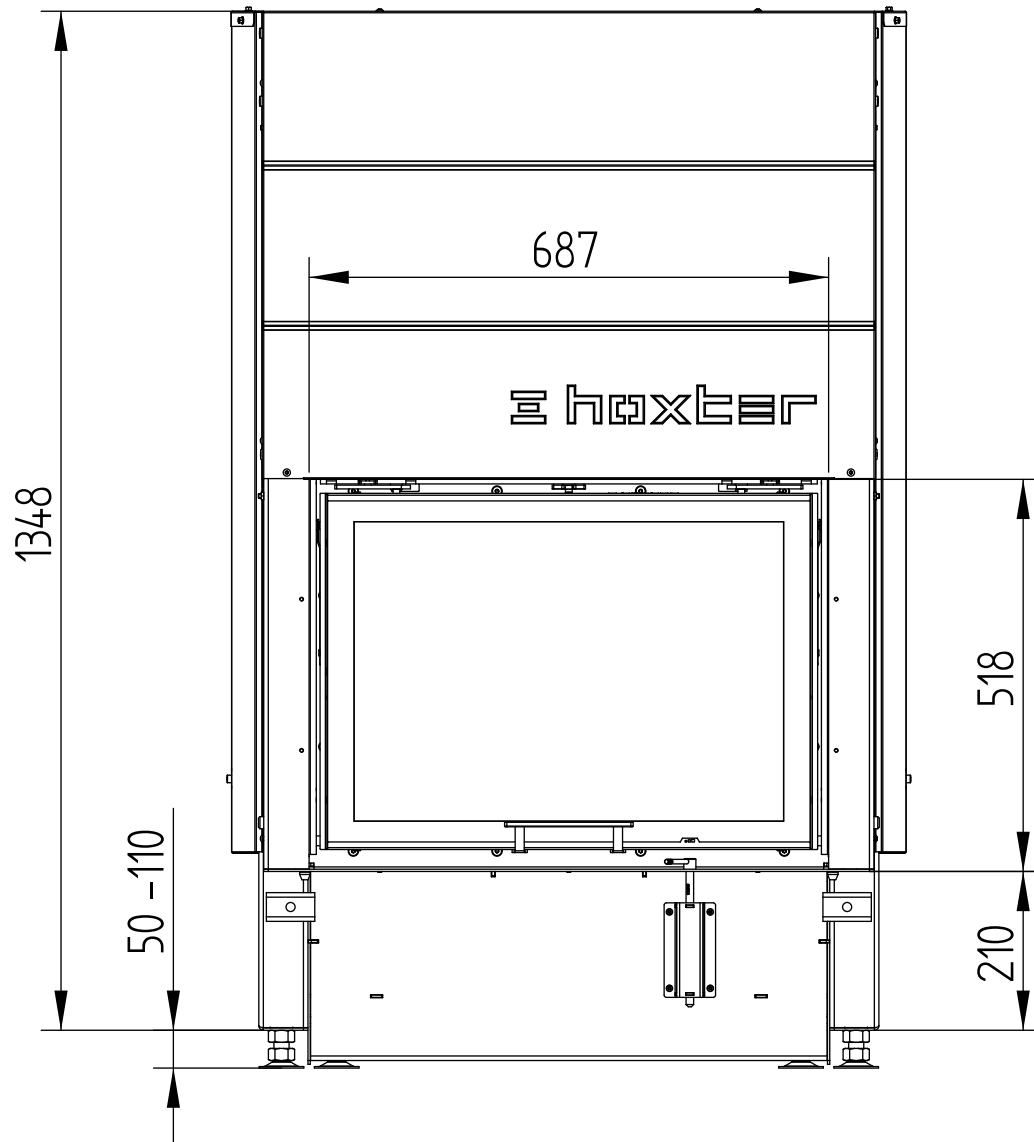
- 1) The Hoxter products are available in the Austrian stove-calculation program for evaluation of firebrick accumulation systems.
- 2) Only a sample calculation! For accurate results is evaluation of each system in the KMS-calculation program from the Ortner company necessary.
- 3) Depends on accumulation period and material characteristics and its thickness. Calculated with heat emission of the radiant area ca. 500 W/m².hr

HAKA 67/51h

WITH CUPOLA

Technical data
Version 01/2018

M 1 : 10

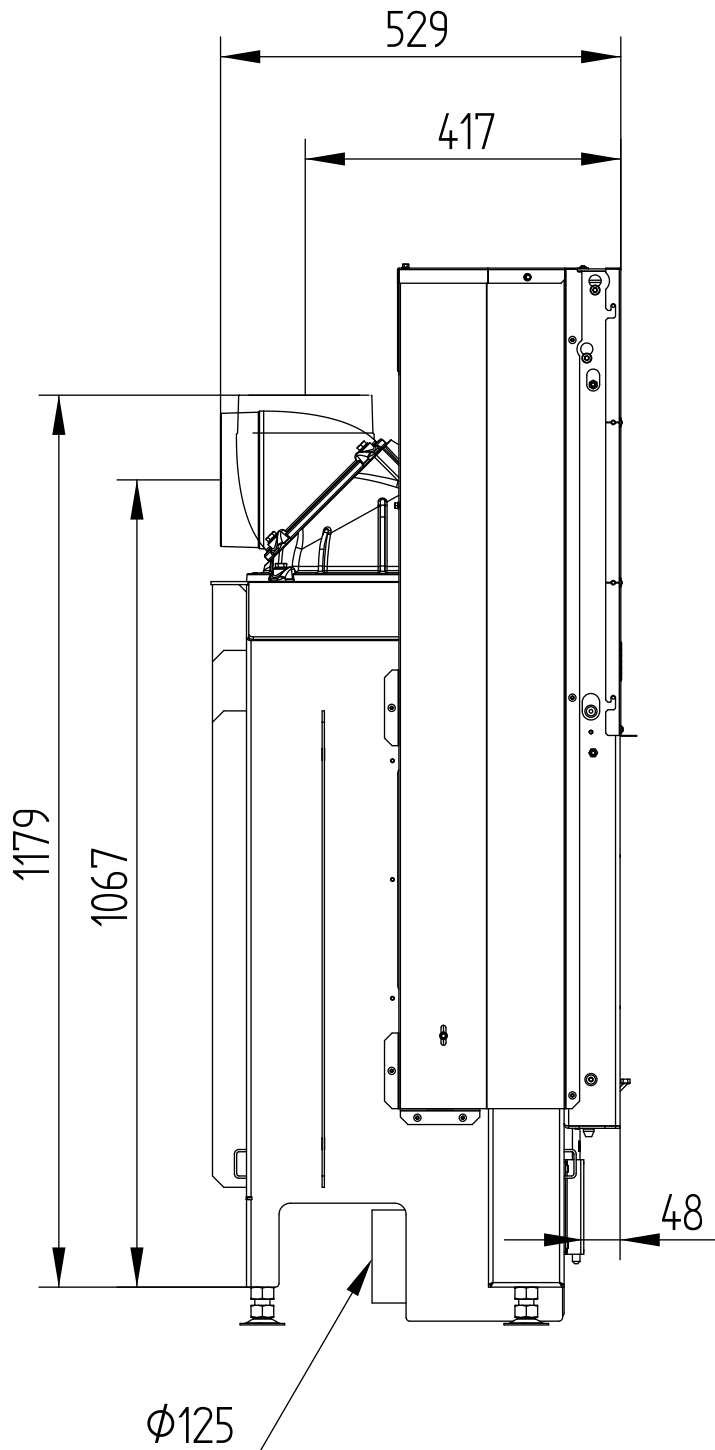


HAKA 67/51h

WITH CUPOLA

Technical data
Version 01/2018

M 1 : 10

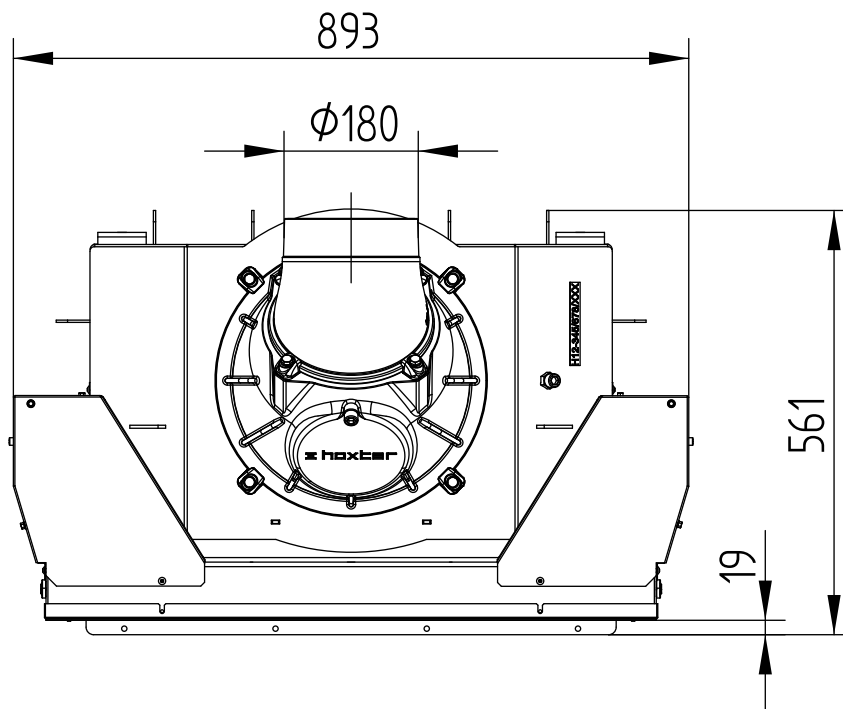


HAKA 67/51h

WITH CUPOLA

Technical data
Version 01/2018

M 1 : 10

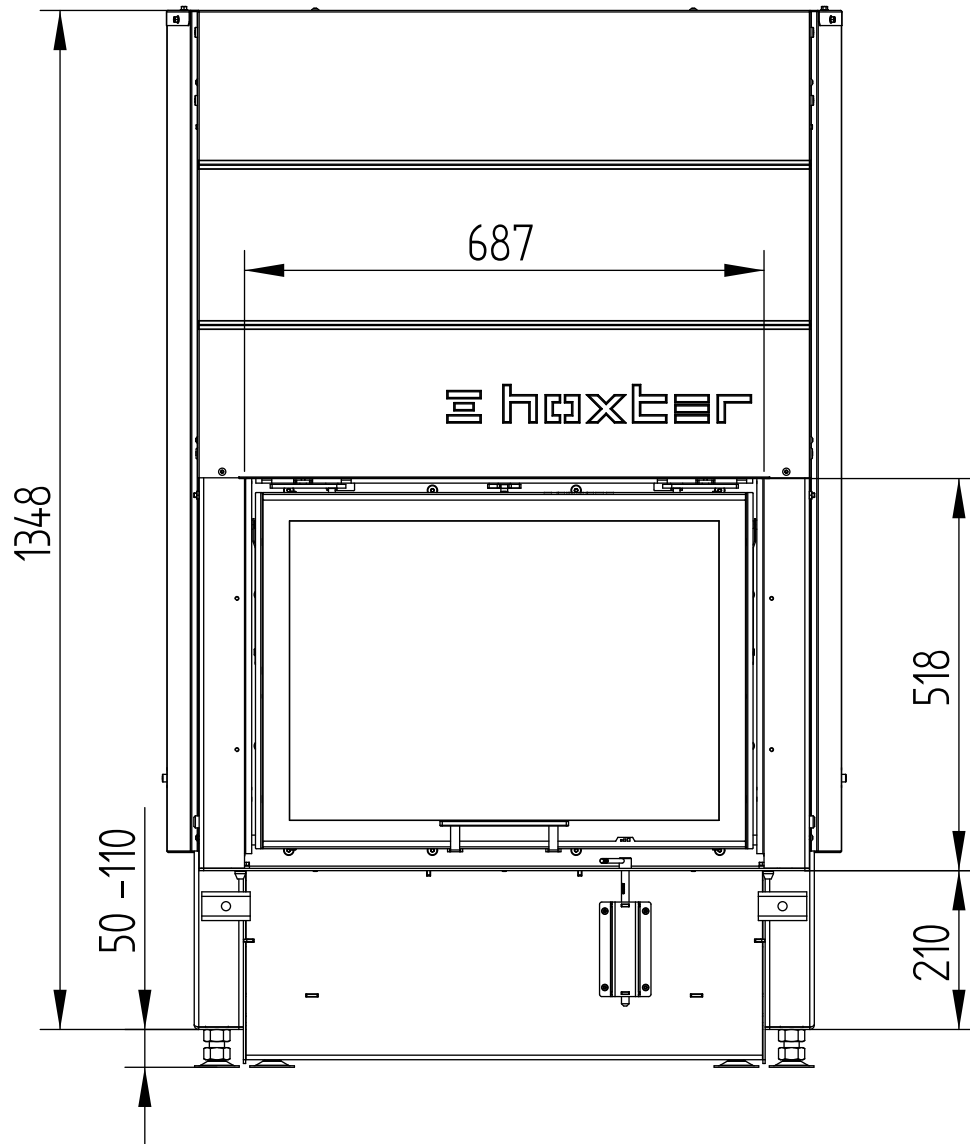


HAKA 67/51h

WITH ADAPTOR

Technical data
Version 01/2018

M 1 : 10

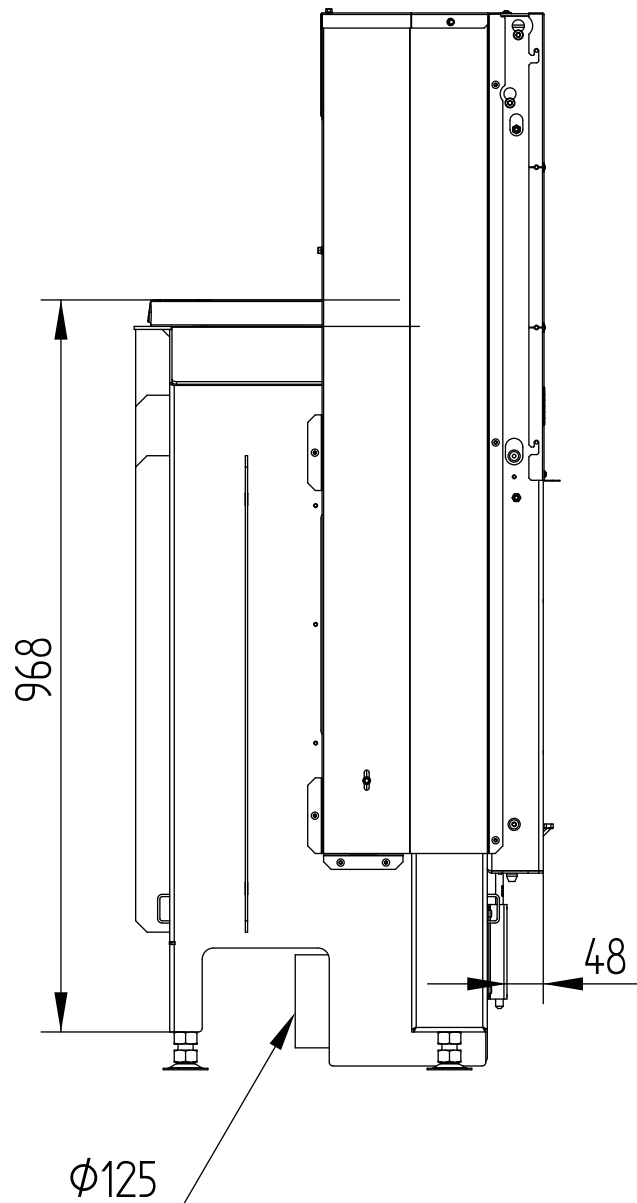


HAKA 67/51h

WITH ADAPTOR

Technical data
Version 01/2018

M 1 : 10

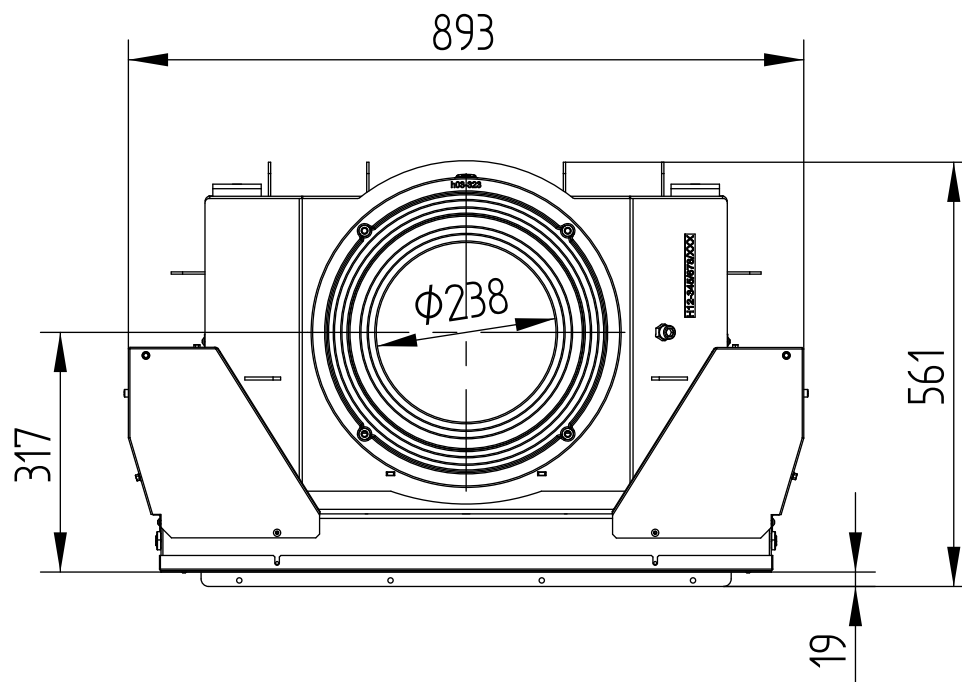


HAKA 67/51h

WITH ADAPTOR

Technical data
Version 01/2018

M 1 : 10

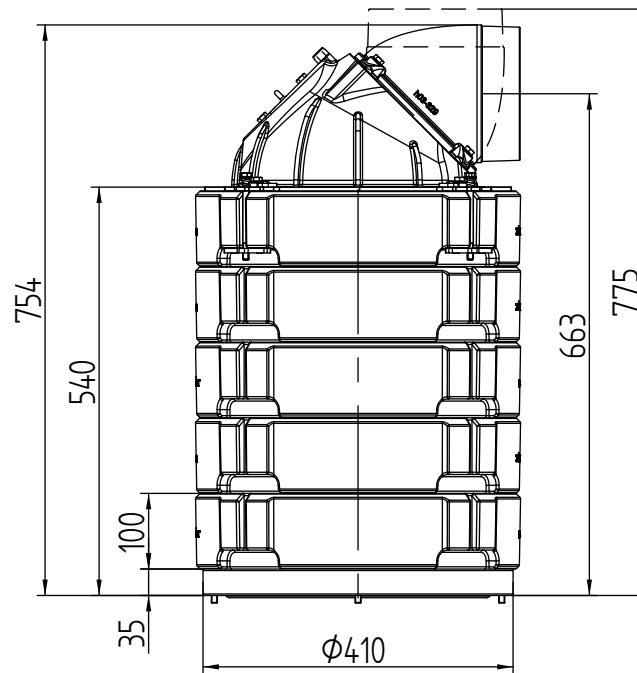


HAKA 67/51h

ACCUMULATION SET

Technical data
Version 01/2018

M 1 : 10

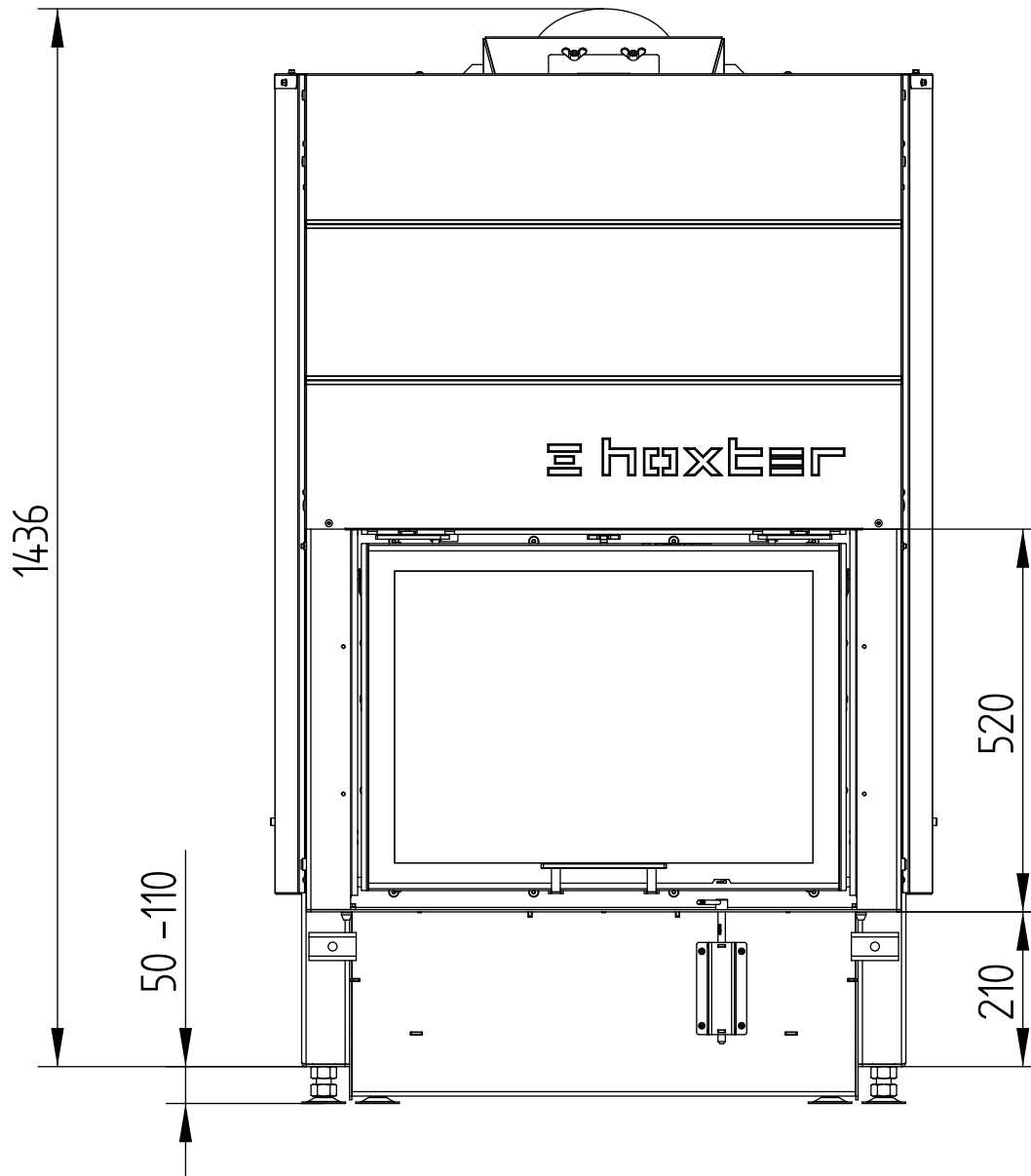


HAKA 67/51h

WITH HOT AIR EXCHANGER

Technical data
Version 01/2018

M 1 : 10

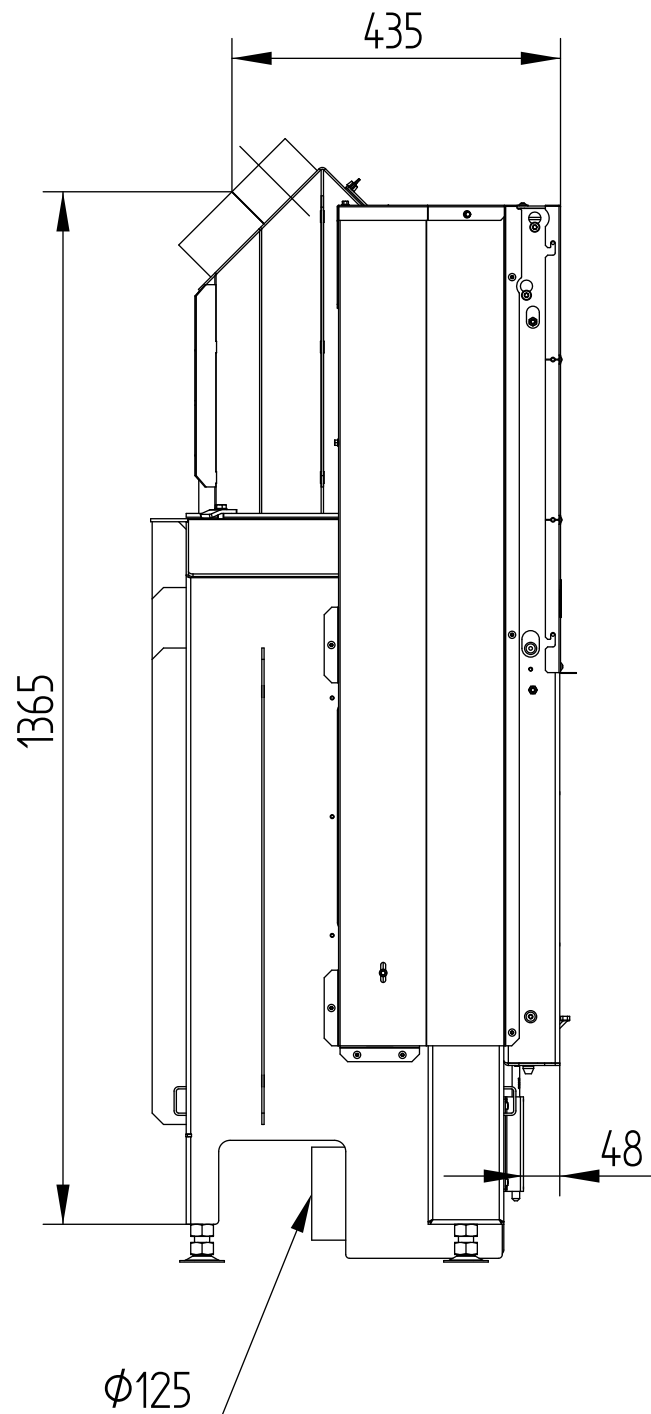


HAKA 67/51h

WITH HOT AIR EXCHANGER

Technical data
Version 01/2018

M 1 : 10

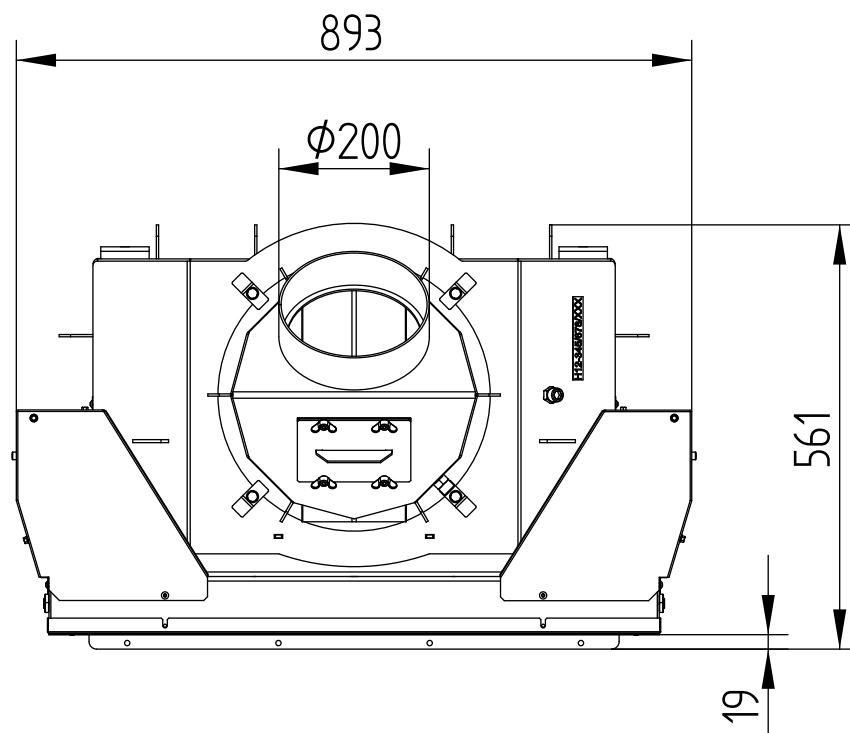


HAKA 67/51h

WITH HOT AIR EXCHANGER

Technical data
Version 01/2018

M 1 : 10

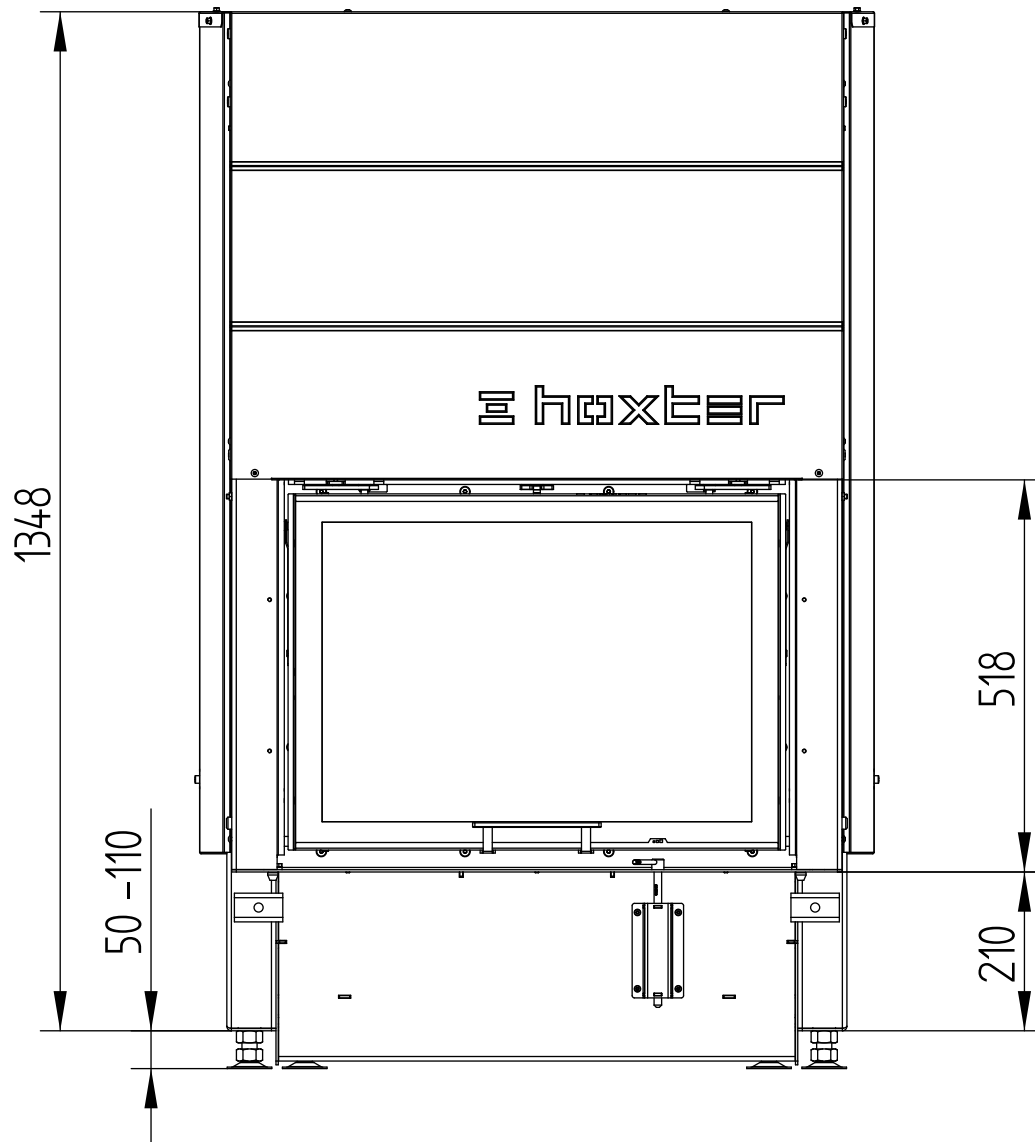


HAKA 67/51h

WITH HOT AIR EXCHANGER VERTICAL

Technical data
Version 01/2018

M 1 : 10

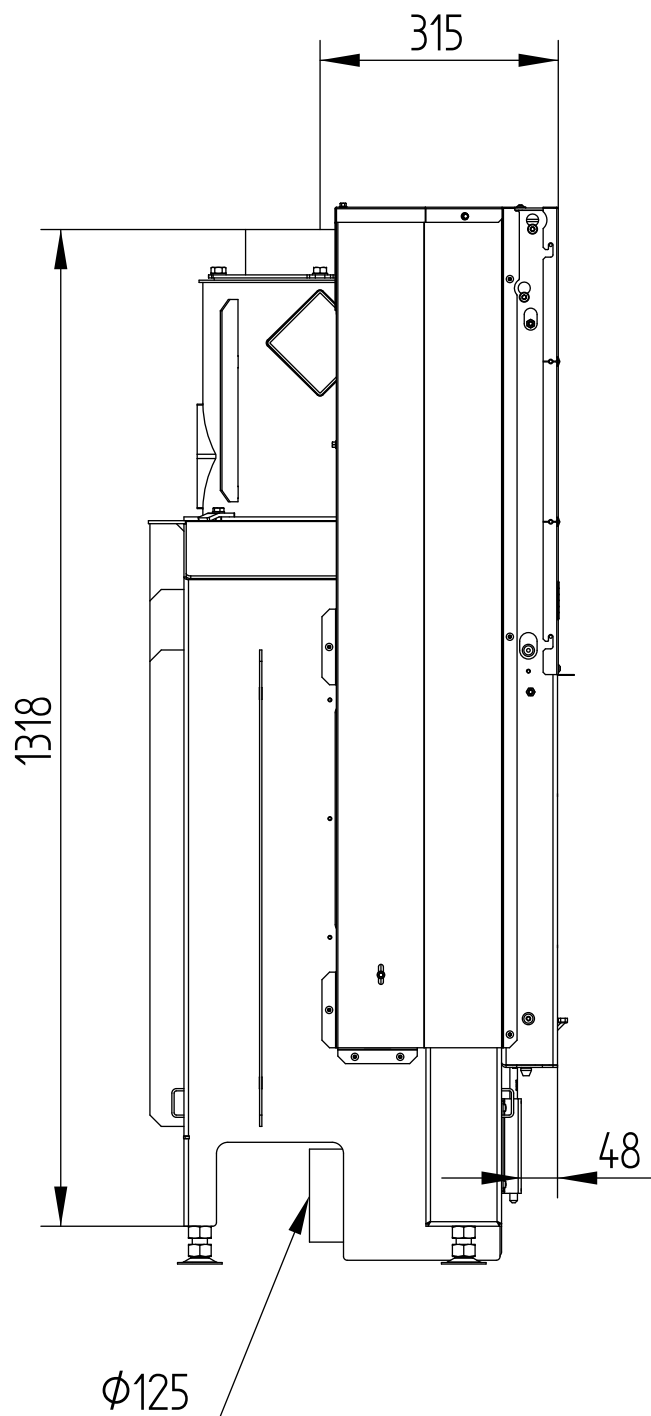


HAKA 67/51h

WITH HOT AIR EXCHANGER VERTICAL

Technical data
Version 01/2018

M 1 : 10

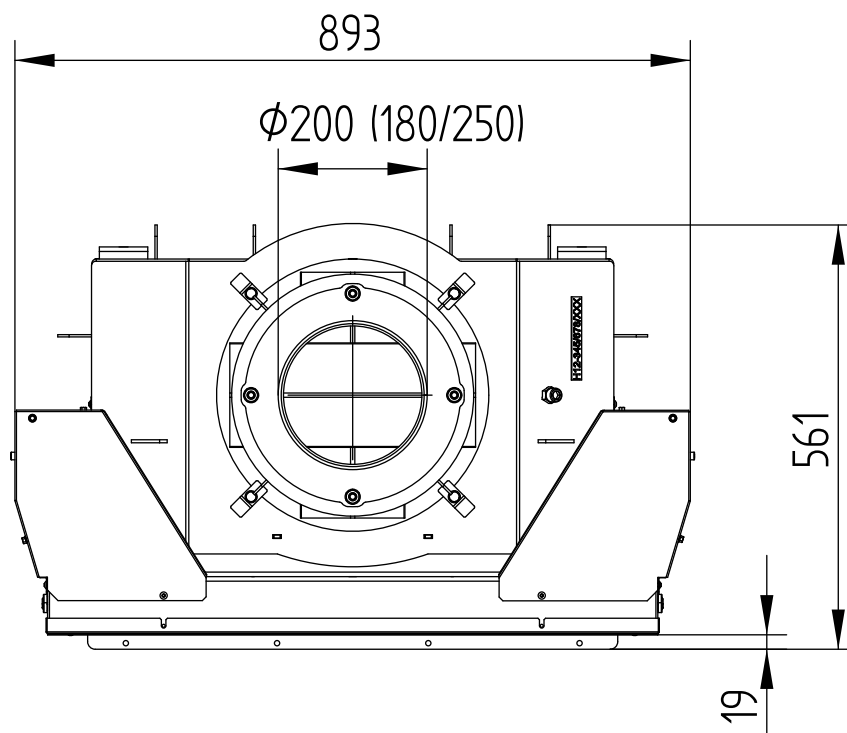


HAKA 67/51h

WITH HOT AIR EXCHANGER VERTICAL

Technical data
Version 01/2018

M 1 : 10

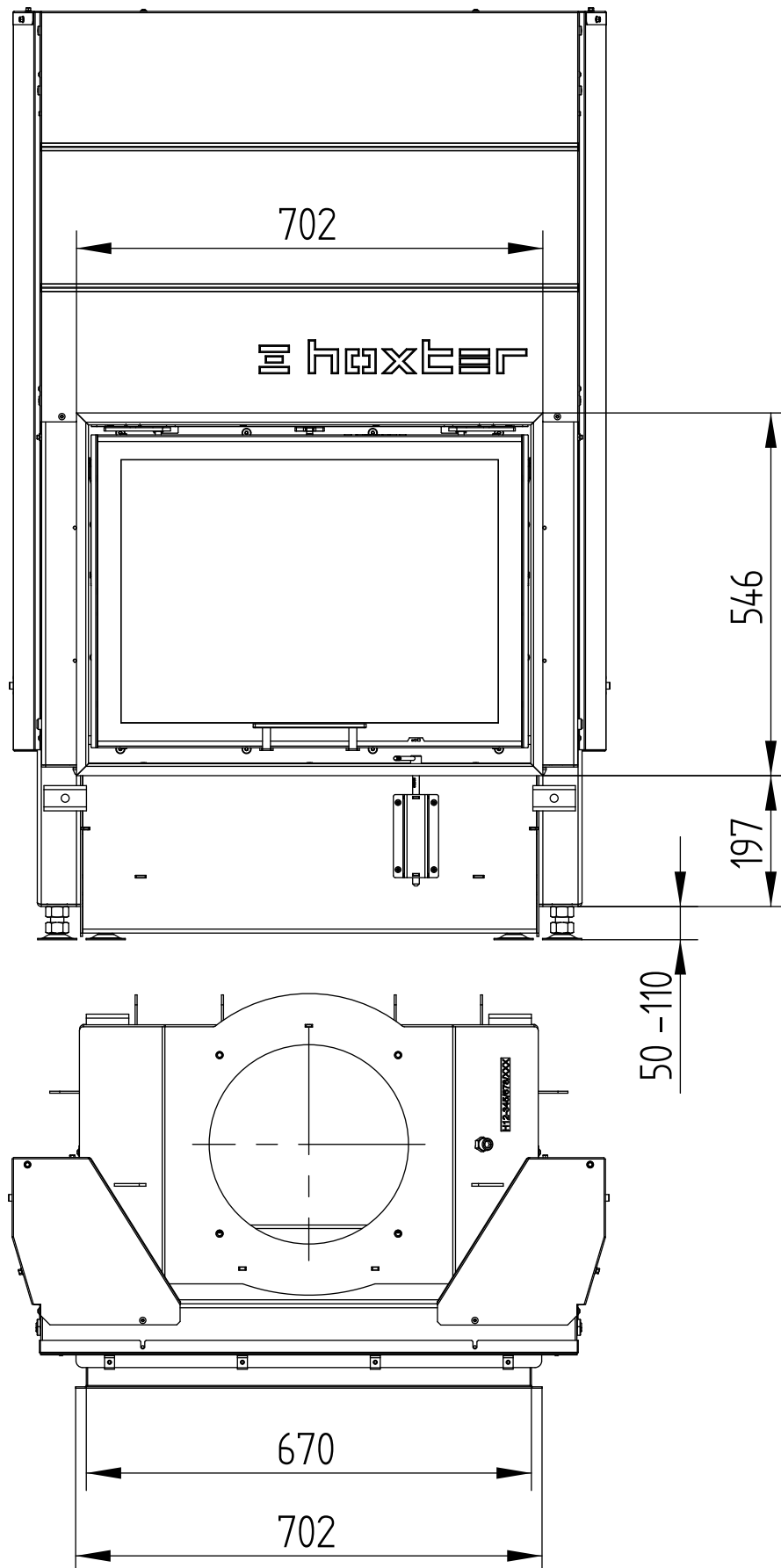


HAKA 67/51h

Technical data
Version 01/2018

COVER FRAME 4-SIDED 1 x 90°, 50 mm

M 1 : 10

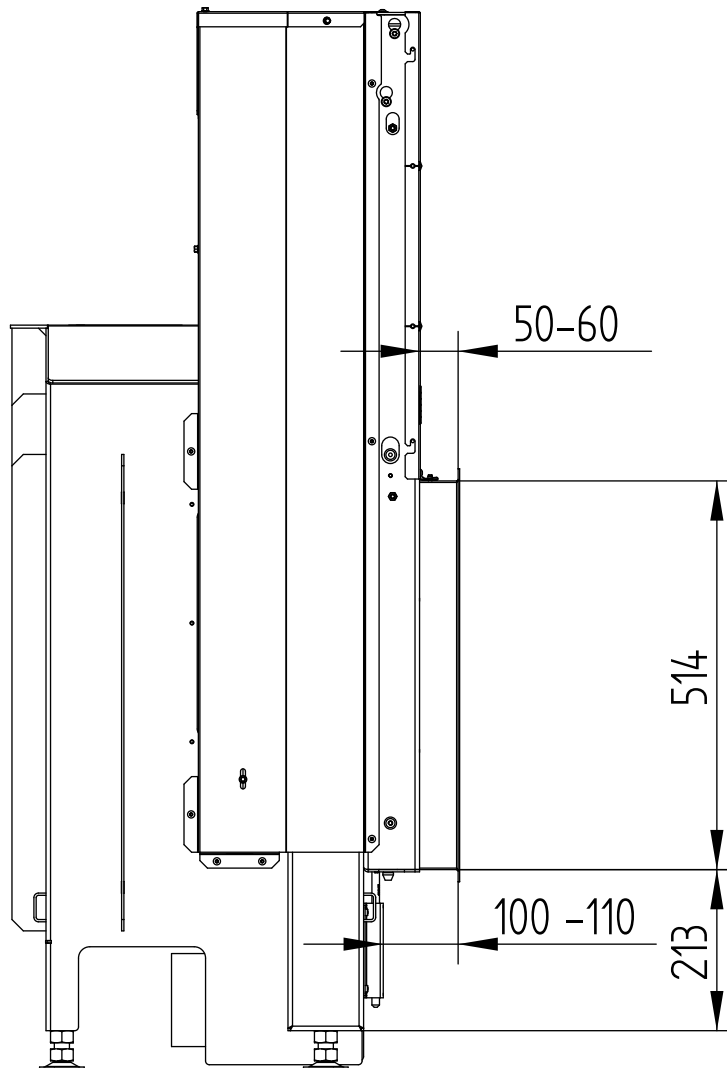


HAKA 67/51h

COVER FRAME 4-SIDED 1 x 90°, 50 mm

Technical data
Version 01/2018

M 1 : 10

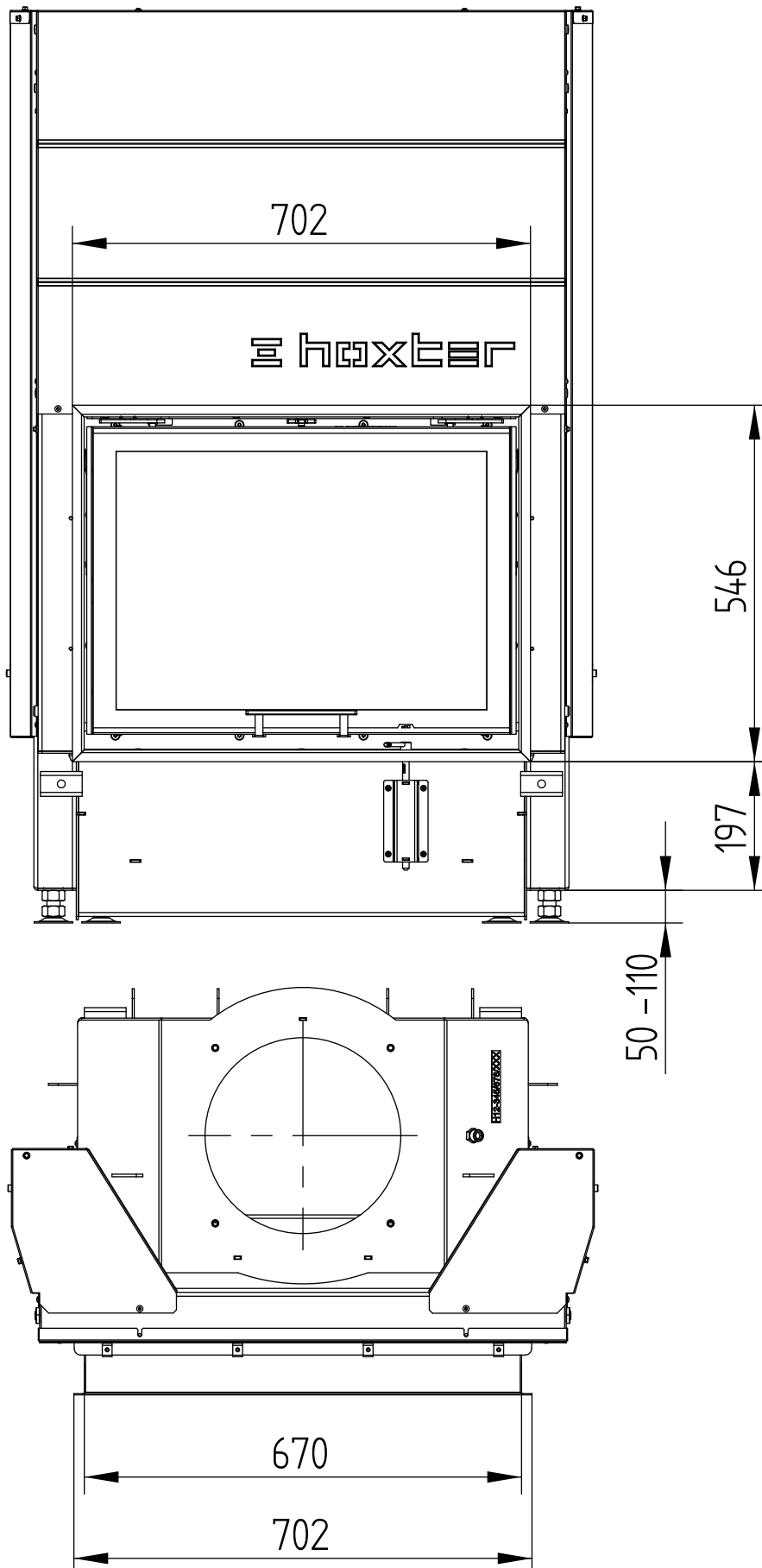


HAKA 67/51h

Technical data
Version 01/2018

COVER FRAME 4-SIDED 1 x 90°, 80 mm

M 1 : 10

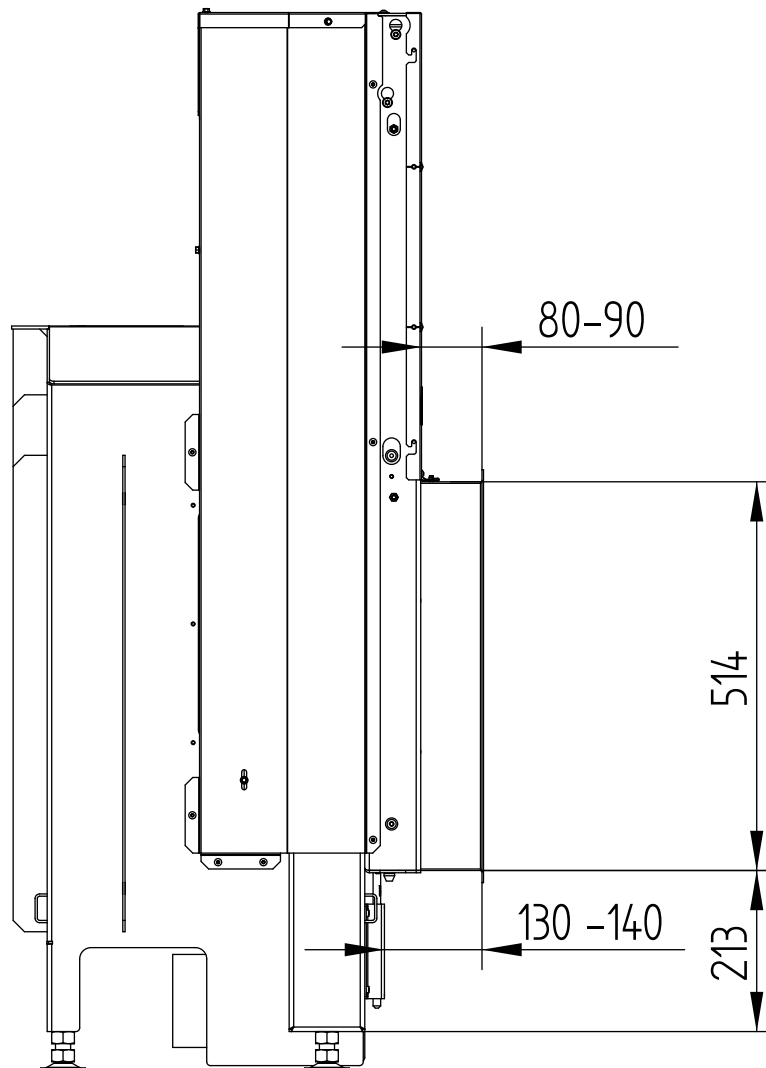


HAKA 67/51h

COVER FRAME 4-SIDED 1 x 90°, 80 mm

Technical data
Version 01/2018

M 1 : 10

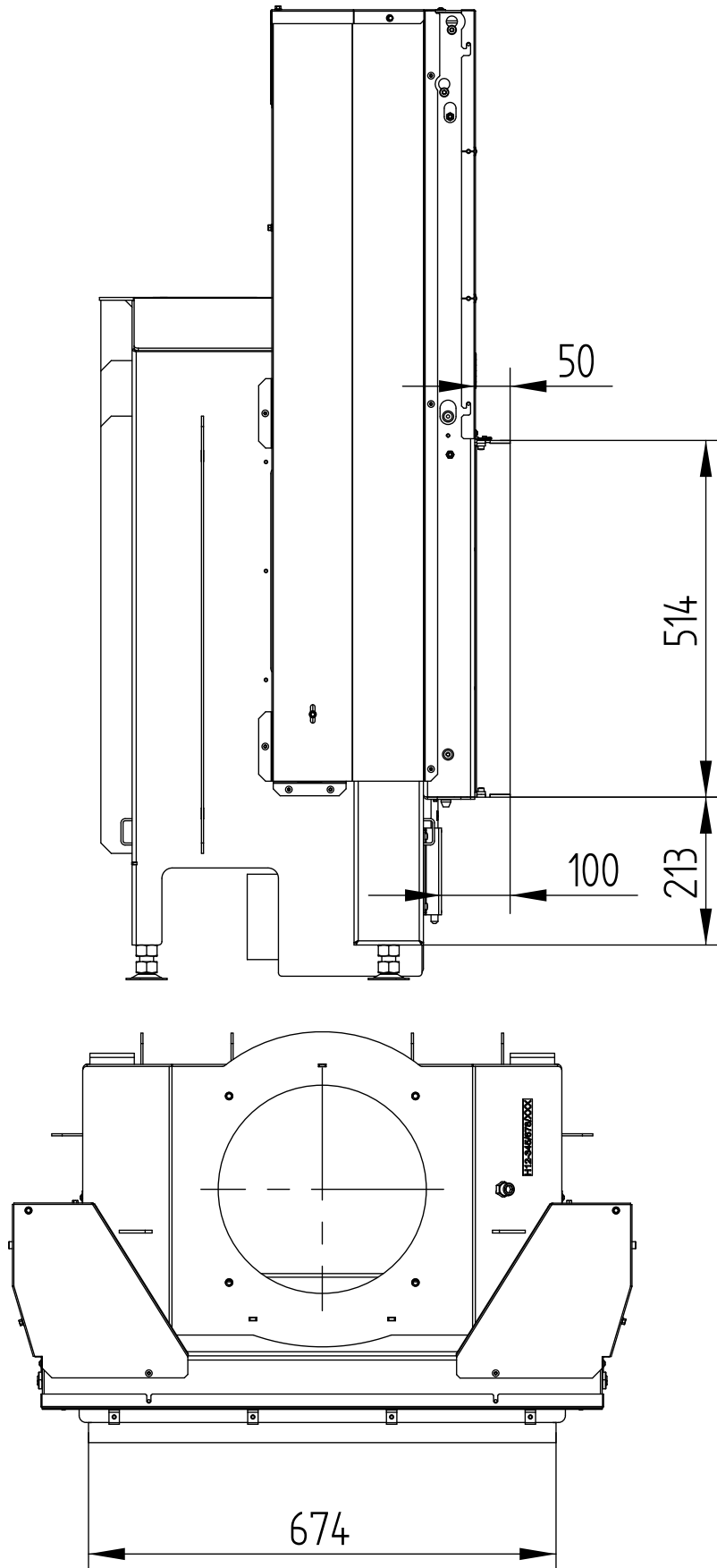


HAKA 67/51h

BUILD-ON FRAME 4-SIDED, 50 mm

Technical data
Version 01/2018

M 1 : 10



HAKA 67/51h

BUILD-ON FRAME 4-SIDED, 80 mm

Technical data
Version 01/2018

M 1 : 10

