

	operation when directly connected to chimney	
	HAKA 67/51W	HAKA 67/51WI
Energy label	<b>A+</b>	<b>A+</b>
<b>Operating data</b>		
Nominal heat power / Power absorbed to water	11 / 7,2 kW	11 / 8,1 kW
Efficiency	> 80 %	> 80 %
Consumption of wood	3 kg/h	3 kg/h
Mass flow of flue gas	8 g/s	8 g/s
Required chimney pressure	12 Pa	12 Pa
Required amount of combustion air	30 m <sup>3</sup> /h	30 m <sup>3</sup> /h
<b>Average flue gas temperature</b>		
on the output	202 °C	202 °C
<b>Heat distribution</b>		
fireplace insert	18 %	10 %
door glass (single / double)	0 / 17 %	0 / 17 %
water	65 %	73 %
<b>Water exchanger specifications</b>		
Maximum working pressure	2,5 bar	2,5 bar
Minimum return water temperature	55 °C	55 °C
Water capacity	59 liter	59 liter
Connection input / output	1 / 1 G	1 / 1 G
<b>Information for builds</b>		
Minimal grill area supply / outgoing (with vent. grill)	300 / 350 cm <sup>2</sup>	250 / 300 cm <sup>2</sup>
Minimum radiant area <sup>3</sup> (without vent. grill)	2 m <sup>2</sup>	2 m <sup>2</sup>
Minimum distance from insulated areas / floor	40 / 0 mm	20 / 0 mm
Reference insulation <sup>1</sup> ceiling / back wall / side wall / floor	100 / 60 / 60 / 0 mm	100 / 60 / 60 / 0 mm
Calciumsilicate insulation <sup>2</sup> ceiling / back wall / side wall / floor	60 / 25 / 25 / 0 mm	60 / 25 / 25 / 0 mm
<b>General technical information</b>		
Total weight / lining weight	ca. 322 / 96 kg	ca. 330 / 96 kg
Burning chamber dimensions (width x depth)	305 x 355 mm	
Combustion air connection	Ø 125 mm	
Use in non-ventilated accumulation builds according to craft rules	suitable	
Tested according to	EN 13229	
Meets values	1. BlmSchV (Stufe2), 15a BVG	

1 Mineral wool according to AGI-Q 132

2 Example SkamoEnclousure Board 225 kg/m<sup>3</sup>

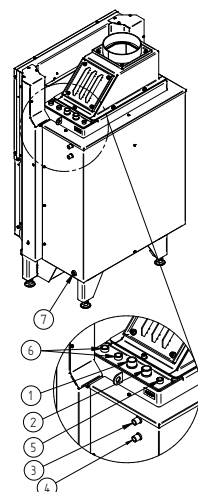
3 Depends on accumulation period and material characteristics.

Listed values calculated with chamotte stone thickness 30 mm with radiant area 500 W/m<sup>2</sup>

	operation when directly connected to chimney	
	HAKA 67/51W+	HAKA 67/51WI+
Energy label	<b>A+</b>	<b>A+</b>
<b>Operating data</b>		
Nominal heat power / Power absorbed to water	17,6 / 10,5 kW	17,6 / 11,9 kW
Efficiency	> 80 %	> 80 %
Consumption of wood	4,7 kg/h	4,7 kg/h
Mass flow of flue gas	12 g/s	12 g/s
Required chimney pressure	12 Pa	12 Pa
Required amount of combustion air	50 m³/h	50 m³/h
<b>Average flue gas temperature</b>		
on the output	216 °C	216 °C
<b>Heat distribution</b>		
fireplace insert	20 %	13 %
door glass (single / double)	0 / 20 %	0 / 20 %
water	60 %	67 %
<b>Water exchanger specifications</b>		
Maximum working pressure	2,5 bar	2,5 bar
Minimum return water temperature	55 °C	55 °C
Water capacity	59 liter	59 liter
Connection input / output	1 / 1 G	1 / 1 G
<b>Information for builds</b>		
Minimal grill area supply / outgoing (with vent. grill)	500 / 600 cm²	450 / 550 cm²
Minimum radiant area <sup>3</sup> (without vent. grill)	2 m²	2 m²
Minimum distance from insulated areas / floor	40 / 0 mm	20 / 0 mm
Reference insulation <sup>1</sup> ceiling / back wall / side wall / floor	100 / 60 / 60 / 0 mm	100 / 60 / 60 / 0 mm
Calciumsilicate insulation <sup>2</sup> ceiling / back wall / side wall / floor	75 / 45 / 45 / 0 mm	75 / 45 / 45 / 0 mm
<b>General technical information</b>		
Total weight / lining weight	ca. 375 / 96 kg	ca. 383 / 96 kg
Burning chamber dimensions (width x depth)	305 x 355 mm	
Combustion air connection	Ø 150 mm	
Use in non-ventilated accumulation builds according to craft rules	suitable	
Tested according to	EN 13229	
Meets values	1. BlmSchV (Stufe2), 15a BVG	

Nr.	Thread size	Description
1	G 1" (AG)	Water supply from heating system - min. 55°C
2	G 1" (AG)	Hot water supply to heating system
3	G 1/2" (AG)	Water supply from the waterlines into the cooling loop
4	G 1/2" (AG)	Discharge of water from the cooling loop into the waste
5	G 3/8" (IG)	Pocket for air vent valve
6	G 1/2" (IG)	Pocket for thermal sensors
7	G 1/2" (IG)	Discharge valve

- 1 Mineral wool according to AGI-Q 132
- 2 Example SkamoEnclosure Board 225 kg/m³
- 3 Depends on accumulation period and material characteristics.  
Listed values calculated with chamotte stone thickness 30 mm with radiant area 500 W/m²

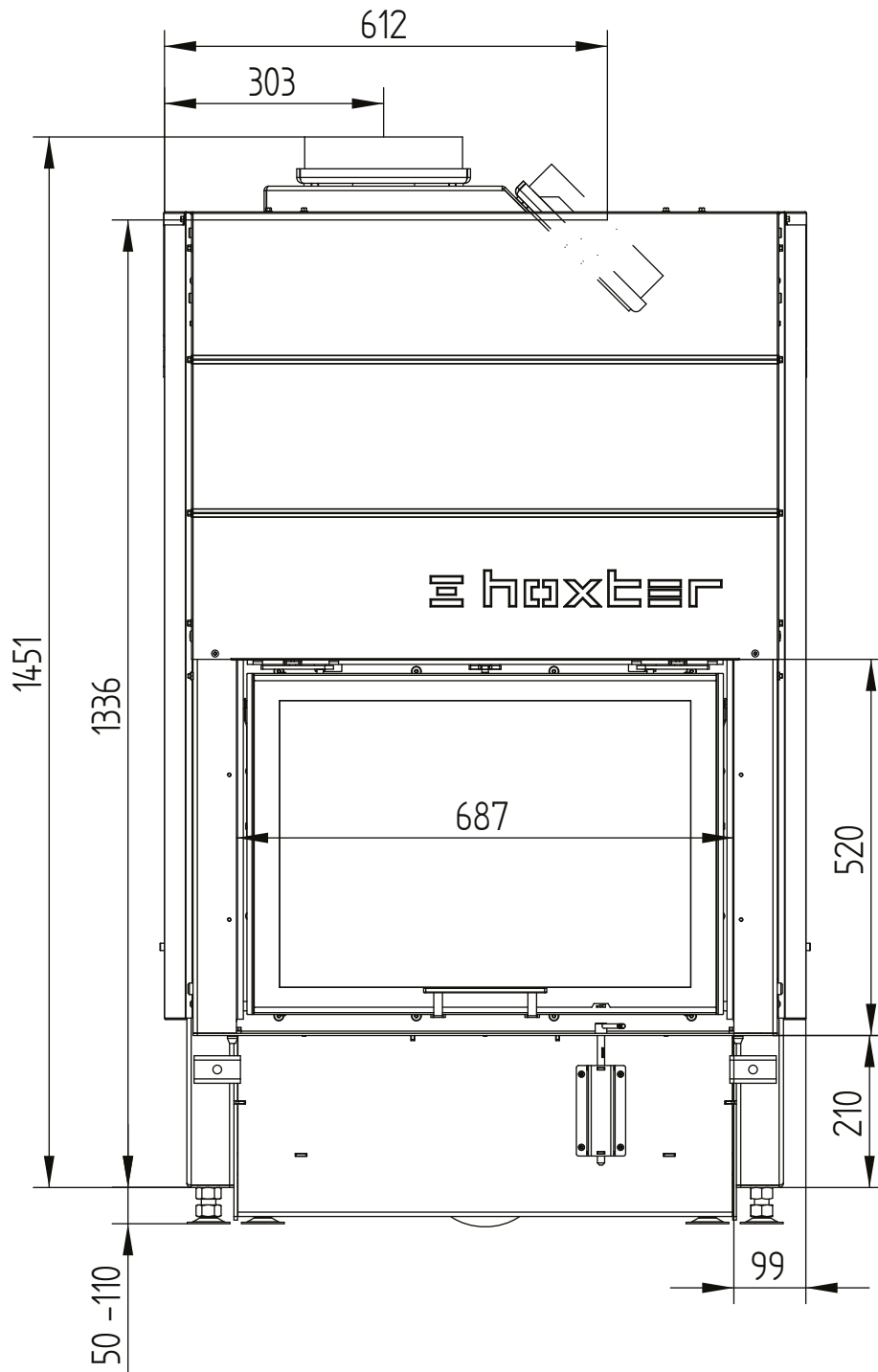


# HAKA 67/51W

Technical data  
Version 2019/08

HAKA 67/51Wh, HAKA 67/51Wh+ / air intake / feet

M 1:10

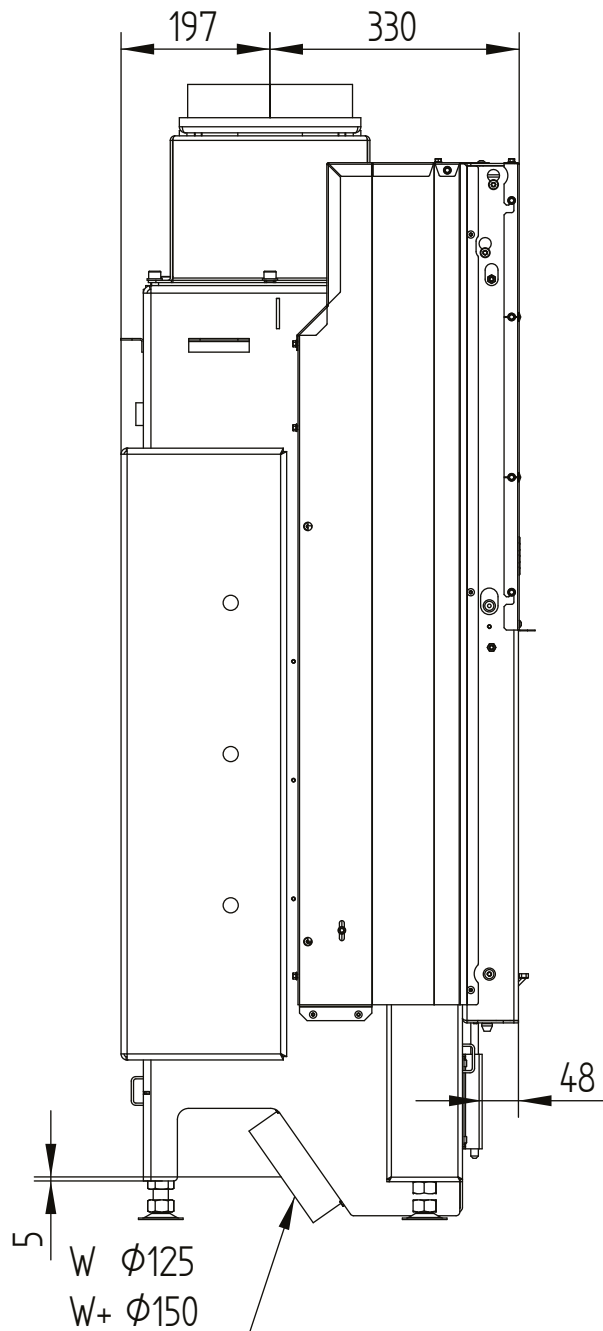


# HAKA 67/51W

Technical data  
Version 2019/08

HAKA 67/51Wh, HAKA 67/51Wh+ / air intake / feet

M 1:10

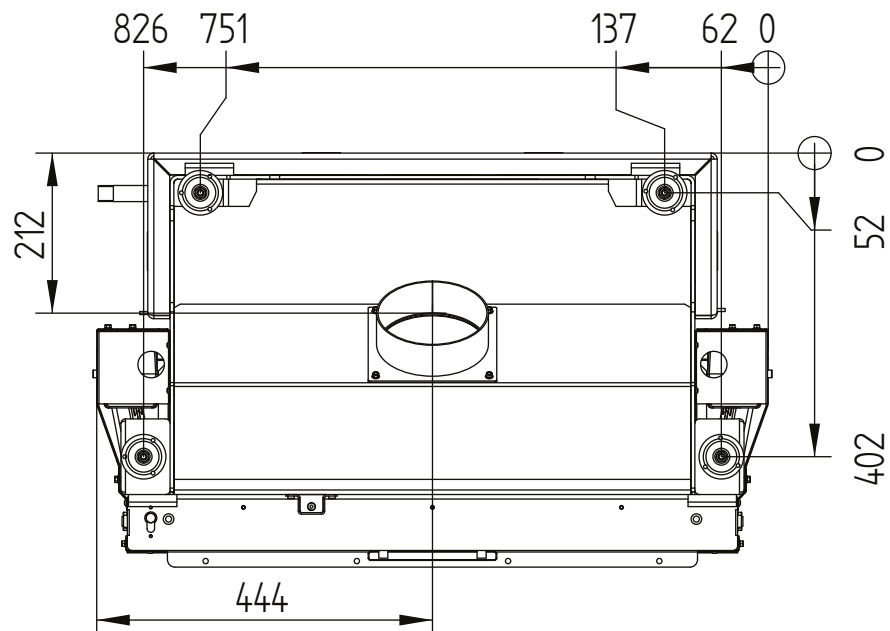
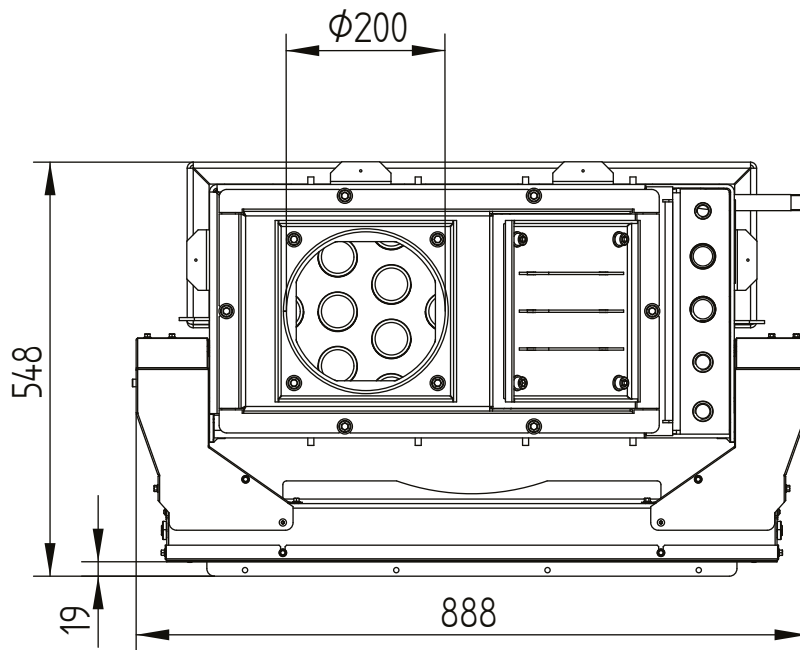


# HAKA 67/51W

Technical data  
Version 2019/08

HAKA 67/51Wh, HAKA 67/51Wh+ / air intake / feet

M 1:10

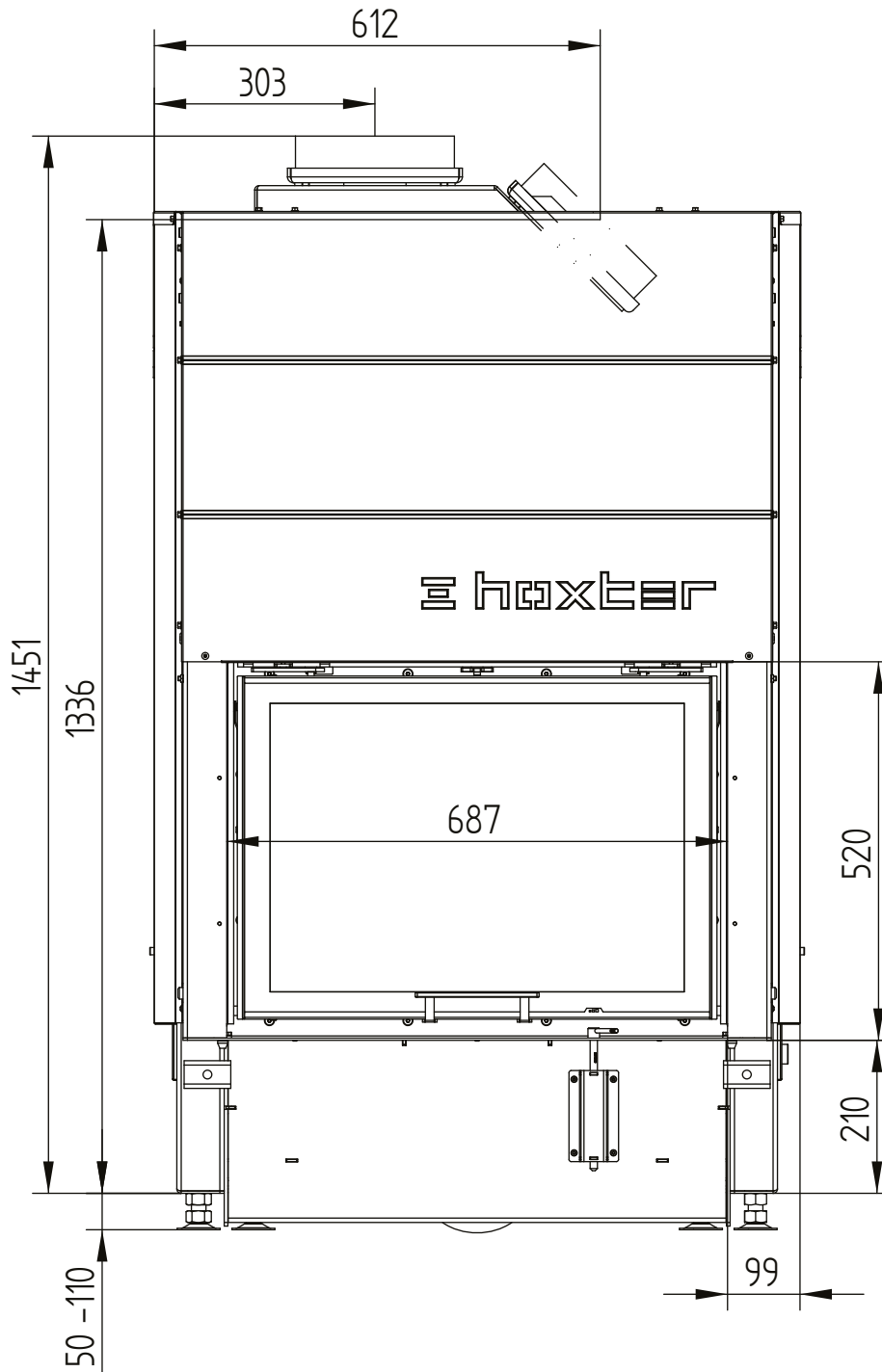


# HAKA 67/51W

Technical data  
Version 2019/08

HAKA 67/51Wh, HAKA 67/51Wh+ / air intake / feet

M 1:10

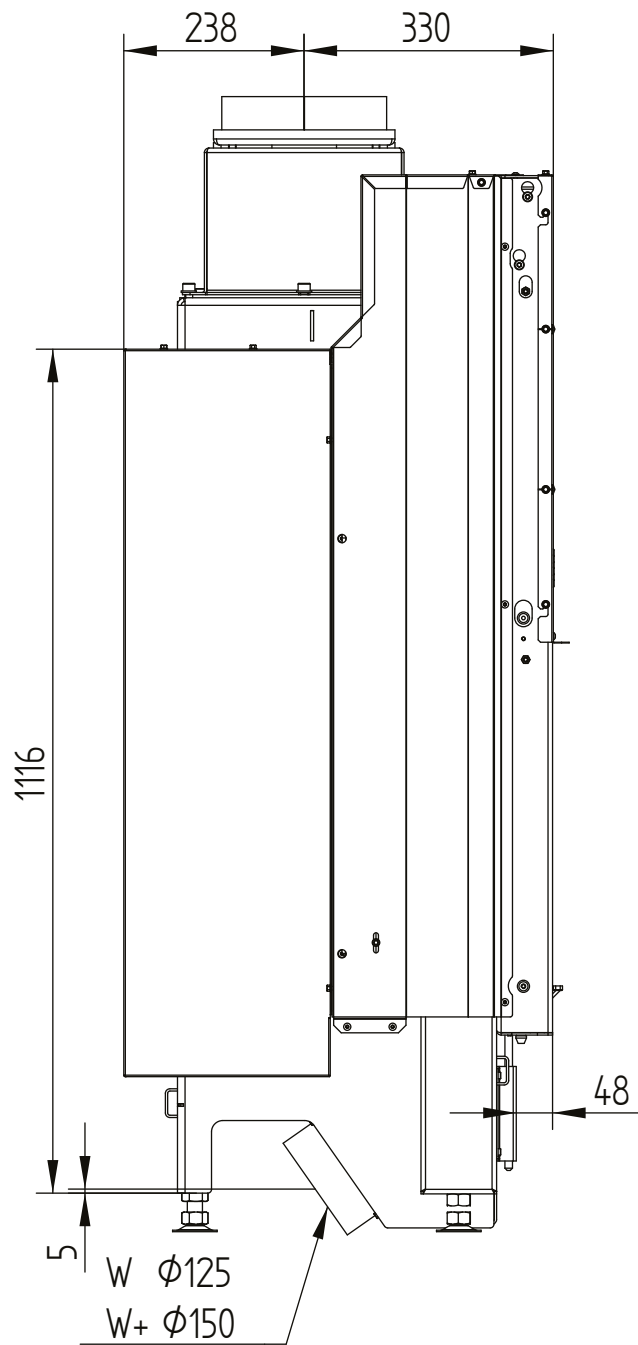


# HAKA 67/51W

Technical data  
Version 2019/08

HAKA 67/51Wh, HAKA 67/51Wh+ / air intake / feet

M 1:10

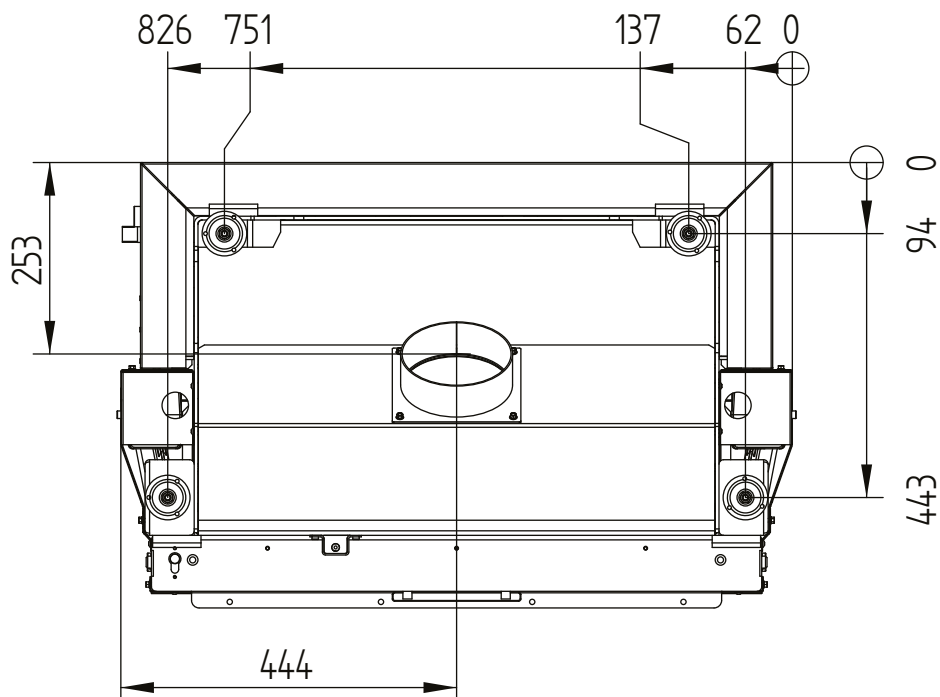
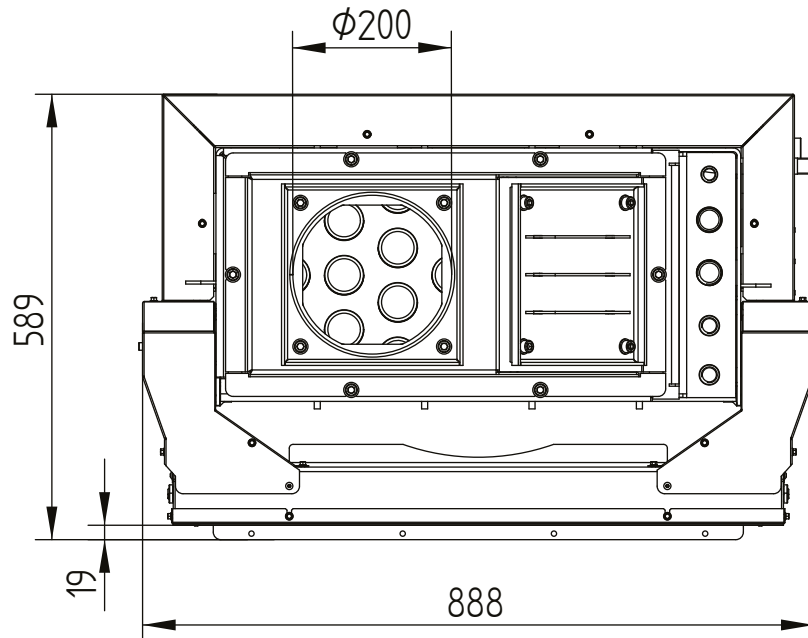


# HAKA 67/51W

Technical data  
Version 2019/08

HAKA 67/51Wh, HAKA 67/51Wh+ / air intake / feet

M 1:10



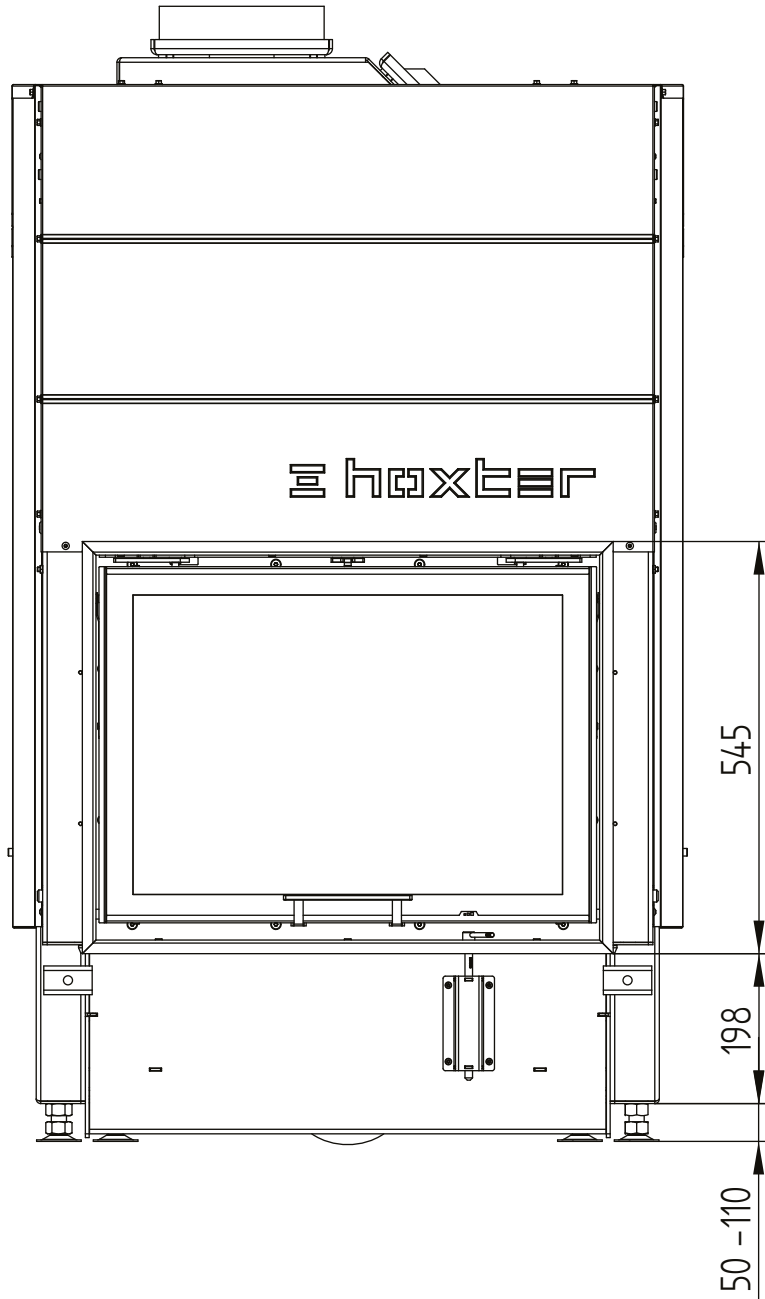


# HAKA 67/51W

Technical data  
Version 2019/08

cover frame 67/51h liftdoor 4sides 50 mm 1 x 90°

M 1:10

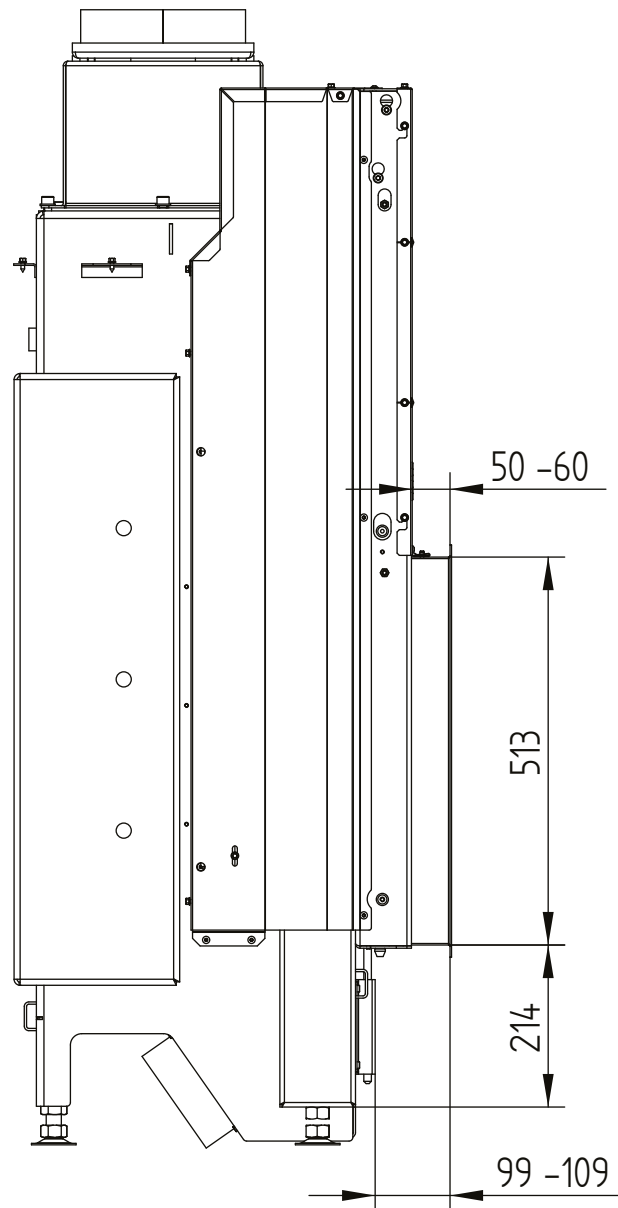


# HAKA 67/51W

Technical data  
Version 2019/08

cover frame 67/51h liftdoor 4sides 50 mm 1 x 90°

M 1:10

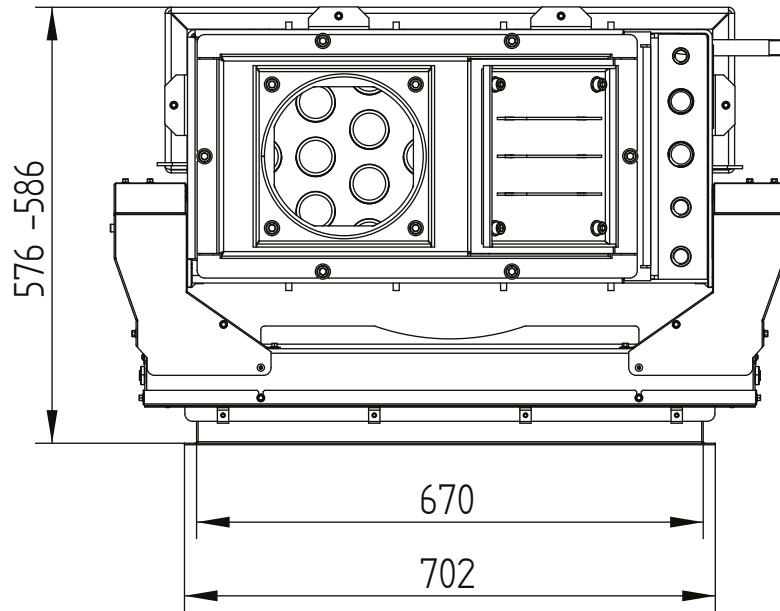


# HAKA 67/51W

Technical data  
Version 2019/08

cover frame 67/51h liftdoor 4sides 50 mm 1 x 90°

M 1:10

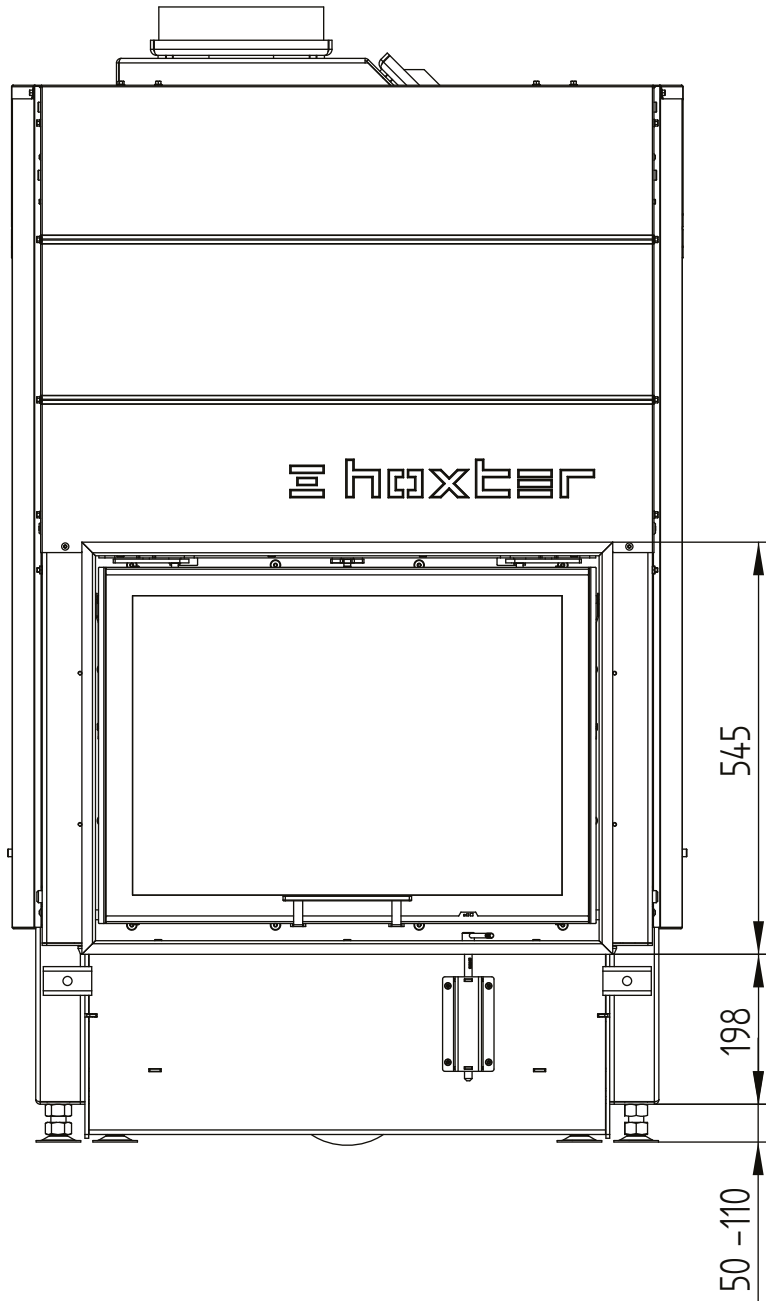


# HAKA 67/51W

Technical data  
Version 2019/08

cover frame 67/51h liftdoor 4sides 80 mm 1 x 90°

M 1:10

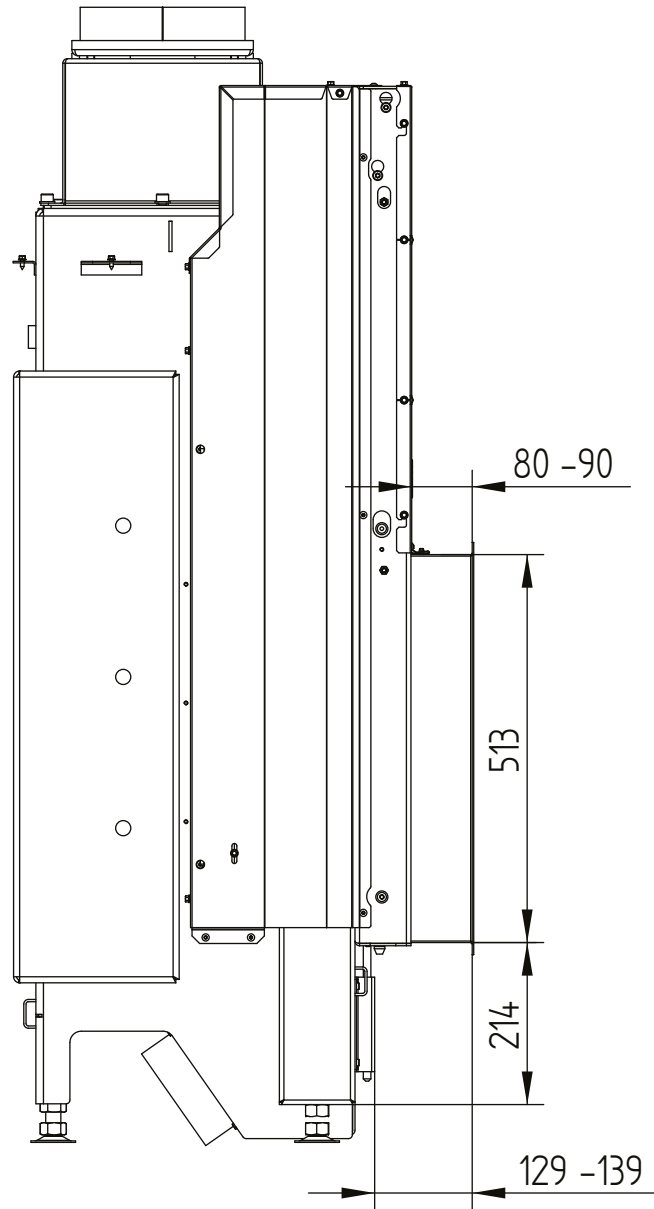


# HAKA 67/51W

Technical data  
Version 2019/08

cover frame 67/51h liftdoor 4sides 80 mm 1 x 90°

M 1:10

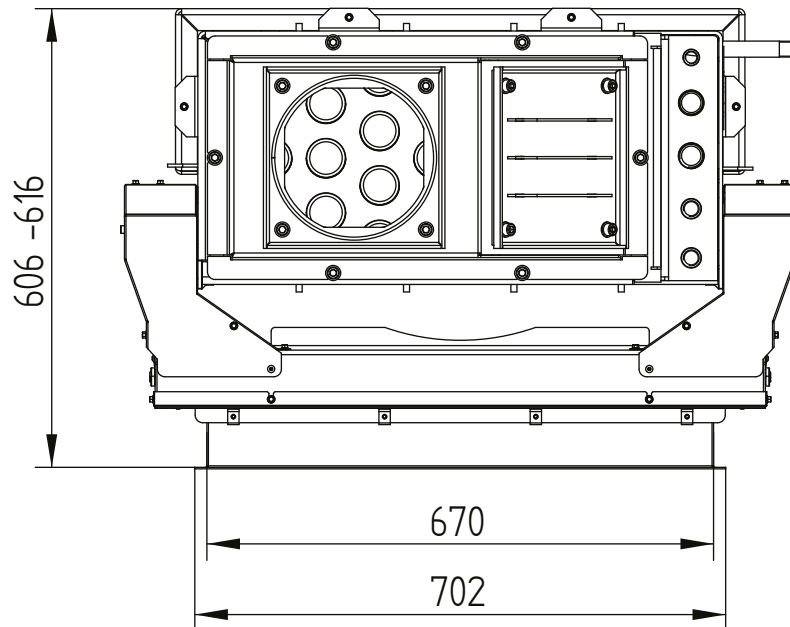


# HAKA 67/51W

Technical data  
Version 2019/08

cover frame 67/51h liftdoor 4sides 80 mm 1 x 90°

M 1:10

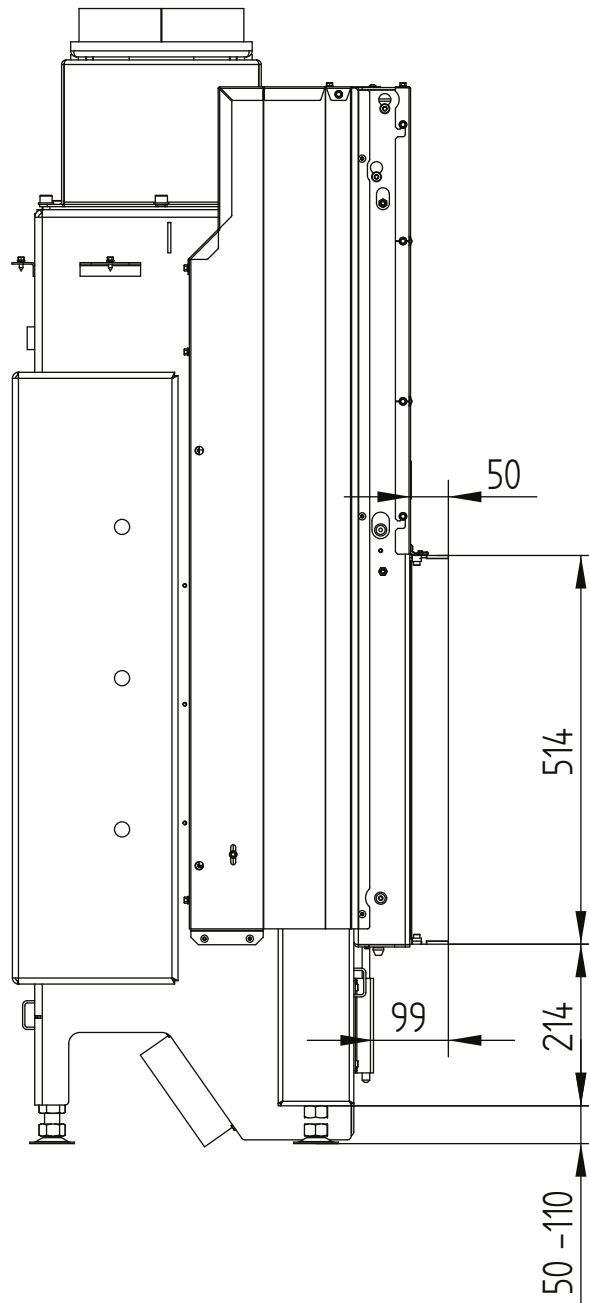


# HAKA 67/51W

Technical data  
Version 2019/08

build-on frame 67/51h liftdoor 4sides 50 mm

M 1:10

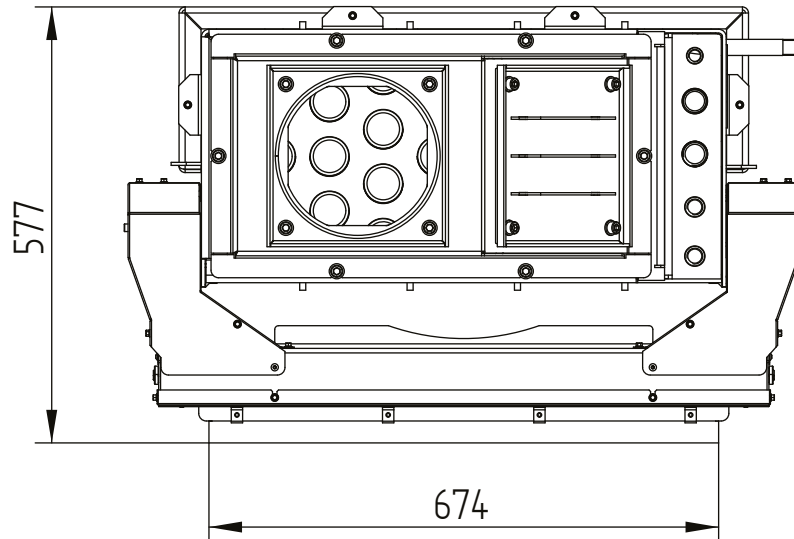


# HAKA 67/51W

Technical data  
Version 2019/08

build-on frame 67/51h liftdoor 4sides 50 mm

M 1:10



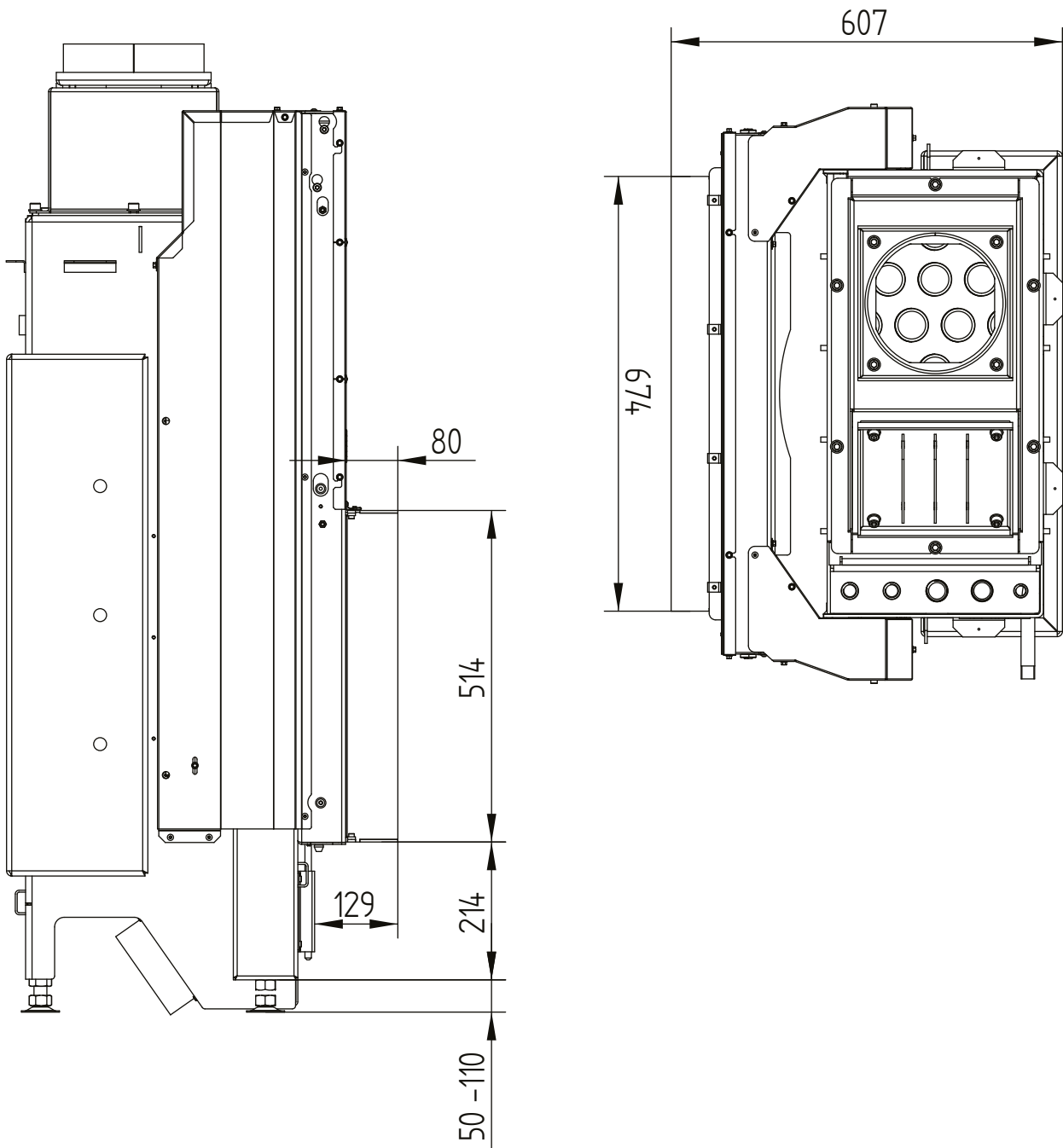


# HAKA 67/51W

Technical data  
Version 2019/08

build-on frame 67/51h liftdoor 4sides 80 mm

M 1:10



# HAKA 67/51W

Technical data  
Version 2019/08

build-on frame 67/51h liftdoor 3sides 80 mm

M 1:10

