

	operation when directly connected to chimney	operation when connected accumulation mass
Energy label	<b>A</b>	<b>A</b>
<b>Operating data</b>		
Nominal heat power	9 kW	----
Efficiency	> 80 %	----
Consumption of wood	2,8 kg/h	4,5 kg
Total heat output of the burning chamber	----	16 kW
Mass flow of flue gas	7,7 g/s	13,5 g/s
Required chimney pressure	12 Pa	12 Pa
Required amount of combustion air	25 m³/h	45 m³/h
<b>Average flue gas temperature</b>		
on the output	305 °C	382 °C
past 2,4 m of ceramic accumulation system KMS 300 <sup>1</sup>	----	228 °C
<b>Heat distribution</b>		
fireplace insert	45 %	30 %
door glass (single / double)	55 / 0 %	55 / 0 %
adjoining accumulation mass	----	15 %
<b>Information for ventilated builds</b>		
Minimal grill area supply / outgoing	700 / 850 cm²	700 / 850 cm²
Minimum distance from insulated areas / floor	50 / 0	50 / 0
Reference insulation <sup>2</sup> ceiling / back wall / side wall / floor	120 / 70 / 0 / 0	120 / 70 / 0 / 0
Calciumsilicate insulation <sup>3</sup> ceiling / back wall / side wall / floor	80 / 50 / 0 / 0	80 / 50 / 0 / 0
<b>Information for non-ventilated builds (closed grills)</b>		
Minimum radiant area <sup>4</sup>	4 m²	4 m²
Minimum distance from insulated areas / floor	50 / 20 mm	50 / 20 mm
Reference insulation <sup>2</sup> ceiling / back wall / side wall / floor	160 / 90 / 0 / 20 mm	160 / 90 / 0 / 20 mm
Calciumsilicate insulation <sup>3</sup> ceiling / back wall / side wall / floor	120 / 70 / 0 / 20 mm	120 / 70 / 0 / 20 mm
<b>General technical information</b>		
Total weight / lining weight	ca. 260 / 46 kg	ca. 260 / 46 kg
Burning chamber dimensions (width x depth)	255 x 540 mm	
Combustion air connection	Ø 150 mm	
Use in non-ventilated accumulation builds according to craft rules	suitable	
Tested according to	EN 13229	
Meets values	BlmSchV (Stufe2), 15a BVG, NS 3059	

<sup>1</sup> Listed value from testing. For accurate results is evaluation of each system in the Ortner / KOV program necessary.

<sup>2</sup> Mineral wool according to AGI-Q 132

<sup>3</sup> Example SkamoEnclousure Board 225 kg/m³

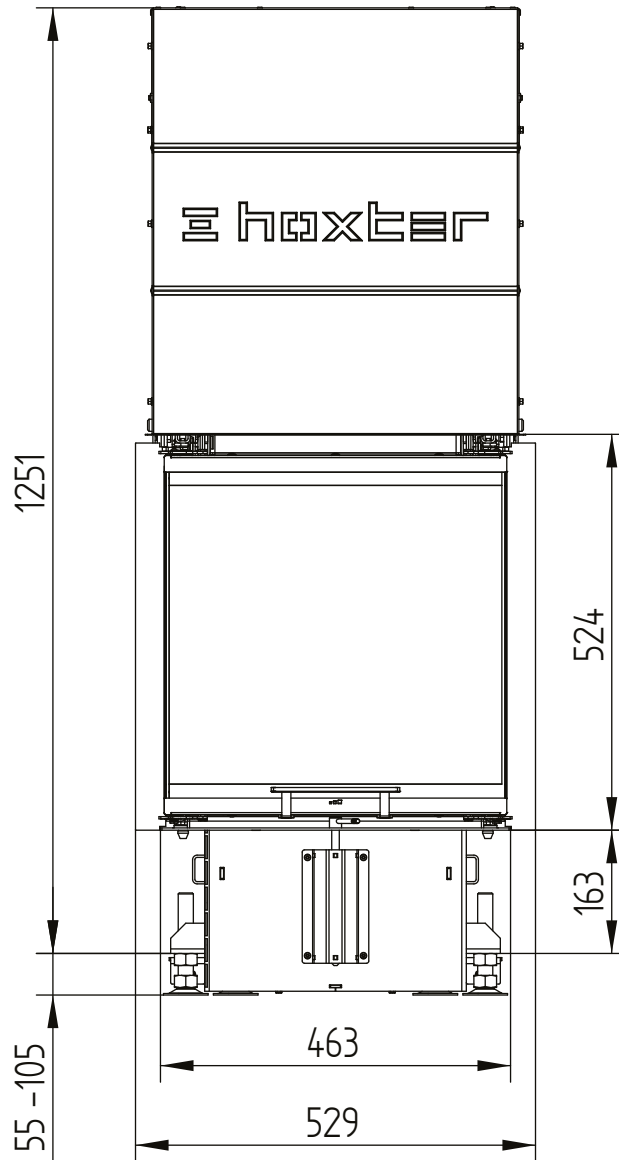
<sup>4</sup> Depends on accumulation period and material characteristics. Listed values calculated with chamotte stone thickness 30 mm with radiant area 500 W/m²

# UKA 69/48/69/51

Technical data  
Version 2019/08

air connection / feet

M 1:10

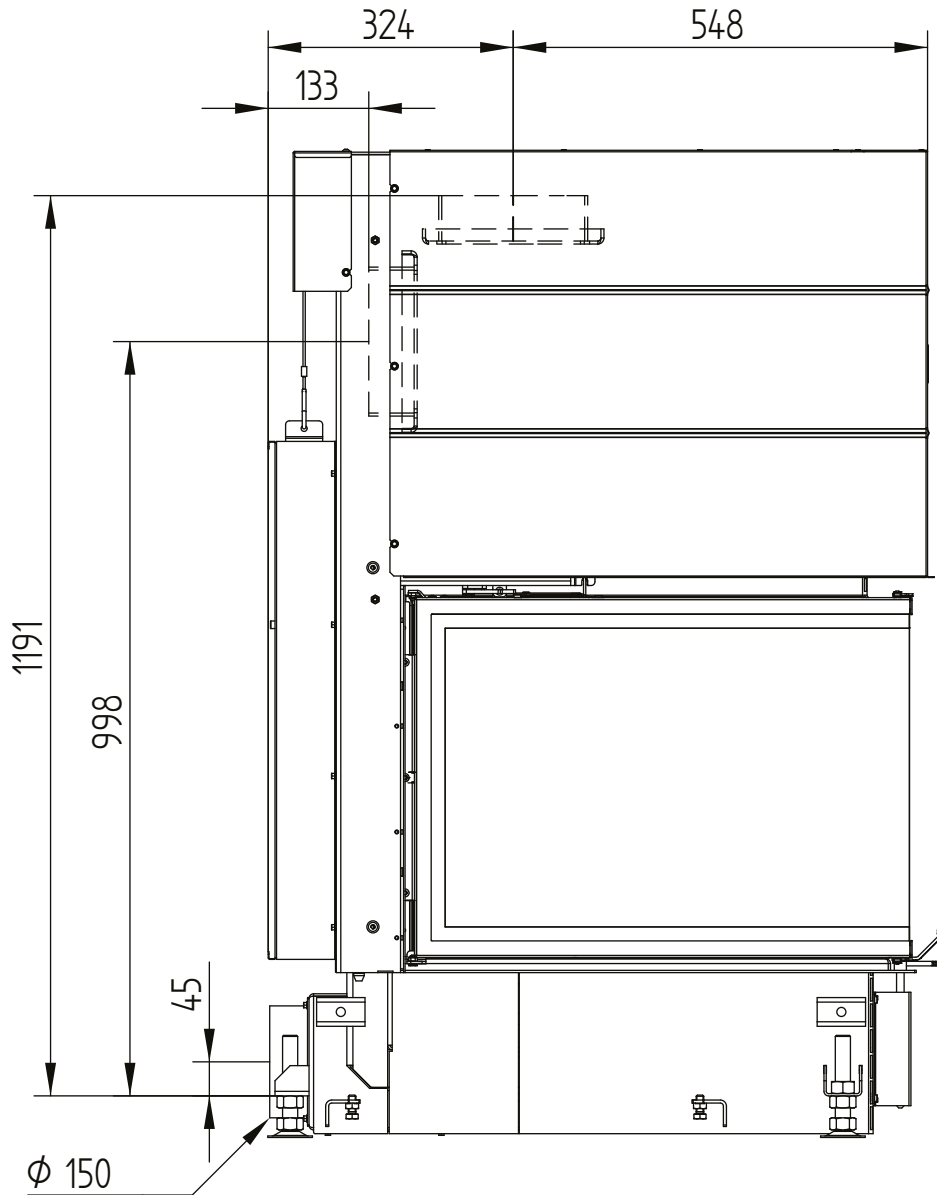


# UKA 69/48/69/51

Technical data  
Version 2019/08

air connection / feet

M 1:10

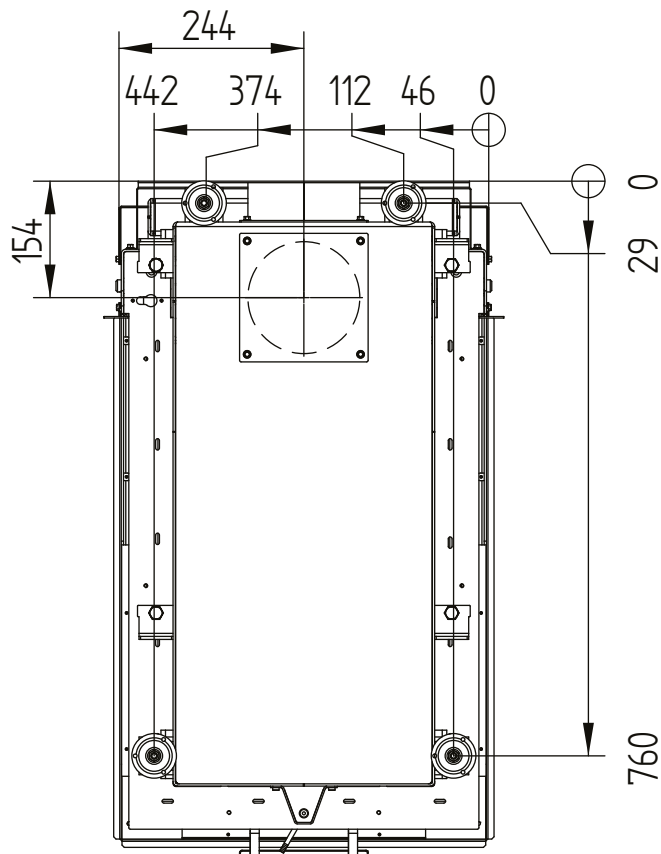
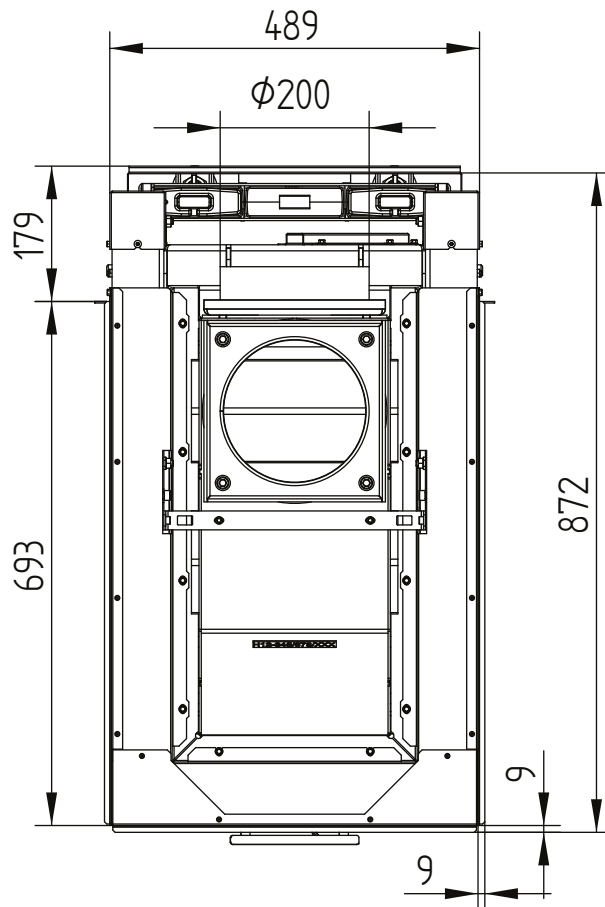


# UKA 69/48/69/51

Technical data  
Version 2019/08

air connection / feet

M 1:10

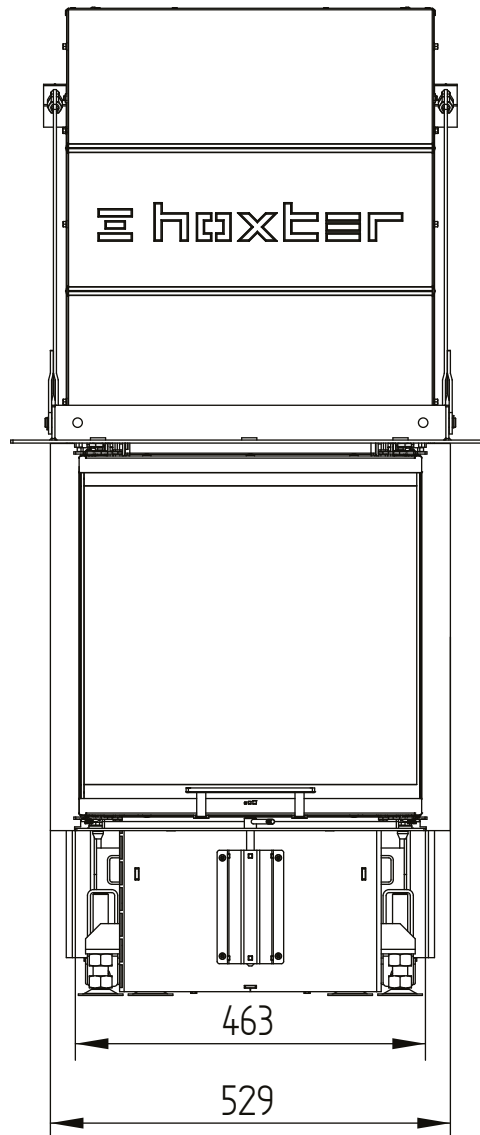


# UKA 69/48/69/51

Technical data  
Version 2019/08

supporting construction incl. build-on frame 3sides 70 mm

M 1:10

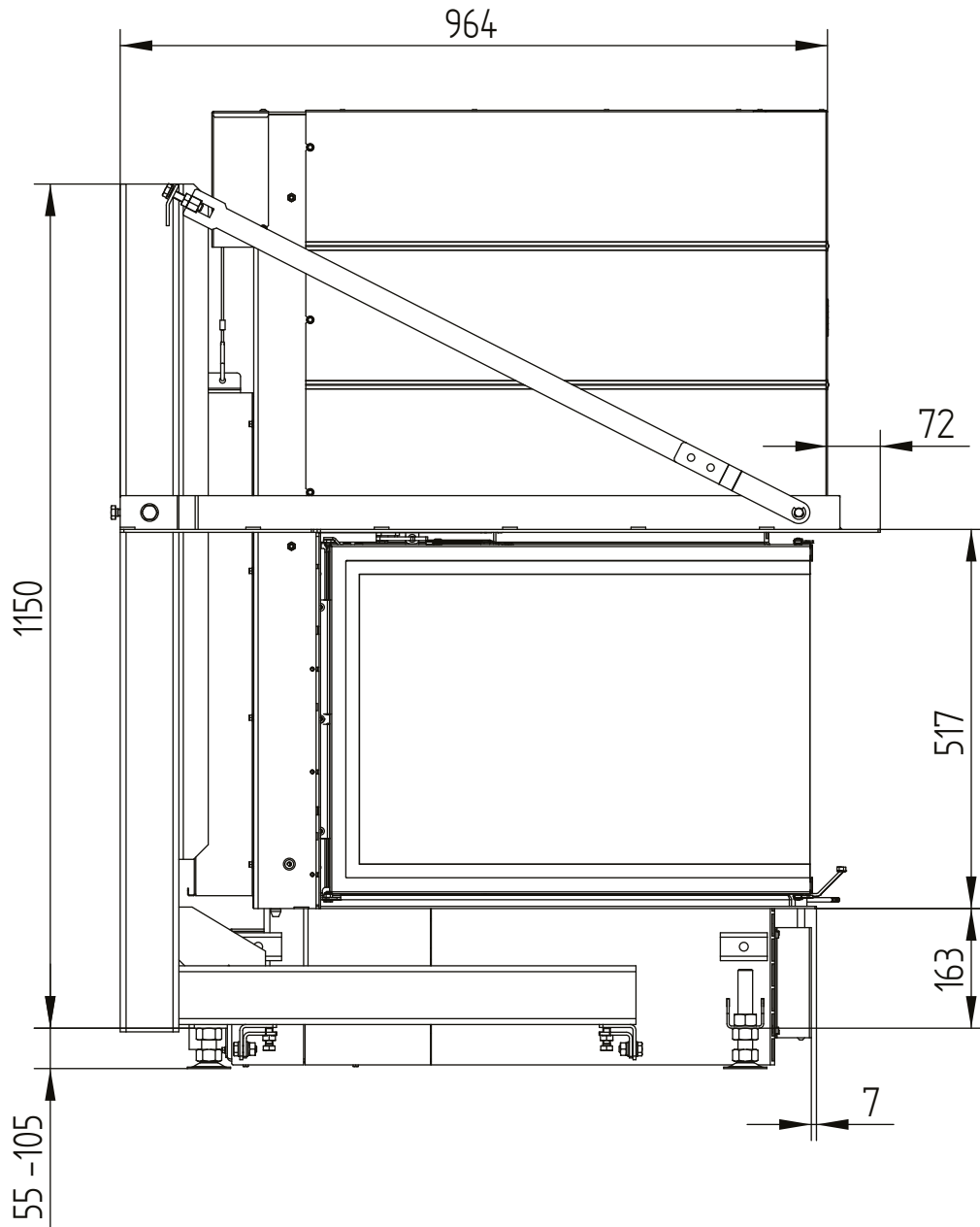


# UKA 69/48/69/51

Technical data  
Version 2019/08

supporting construction incl. build-on frame 3sides 70 mm

M 1:10

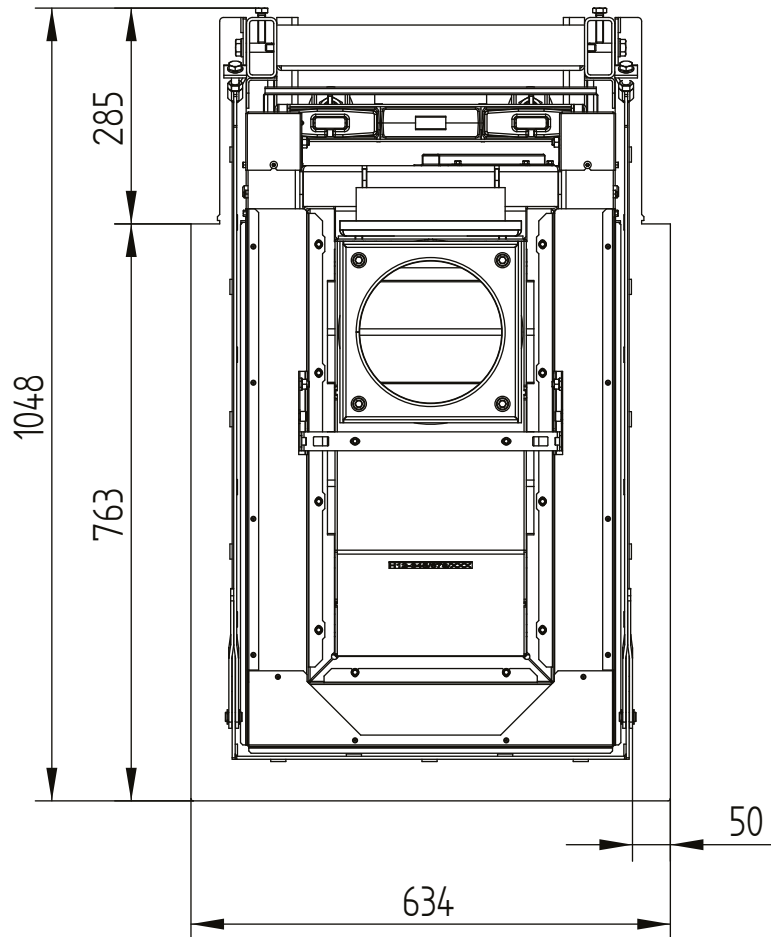


# UKA 69/48/69/51

Technical data  
Version 2019/08

supporting construction incl. build-on frame 3sides 70 mm

M 1:10

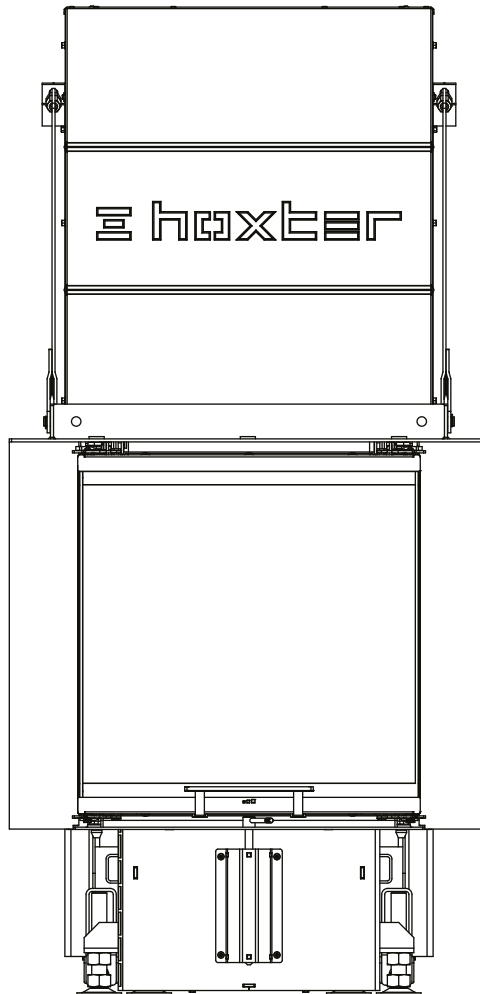


# UKA 69/48/69/51

Technical data  
Version 2019/08

supporting construction incl. build-on frame 5sides 70 mm

M 1:10



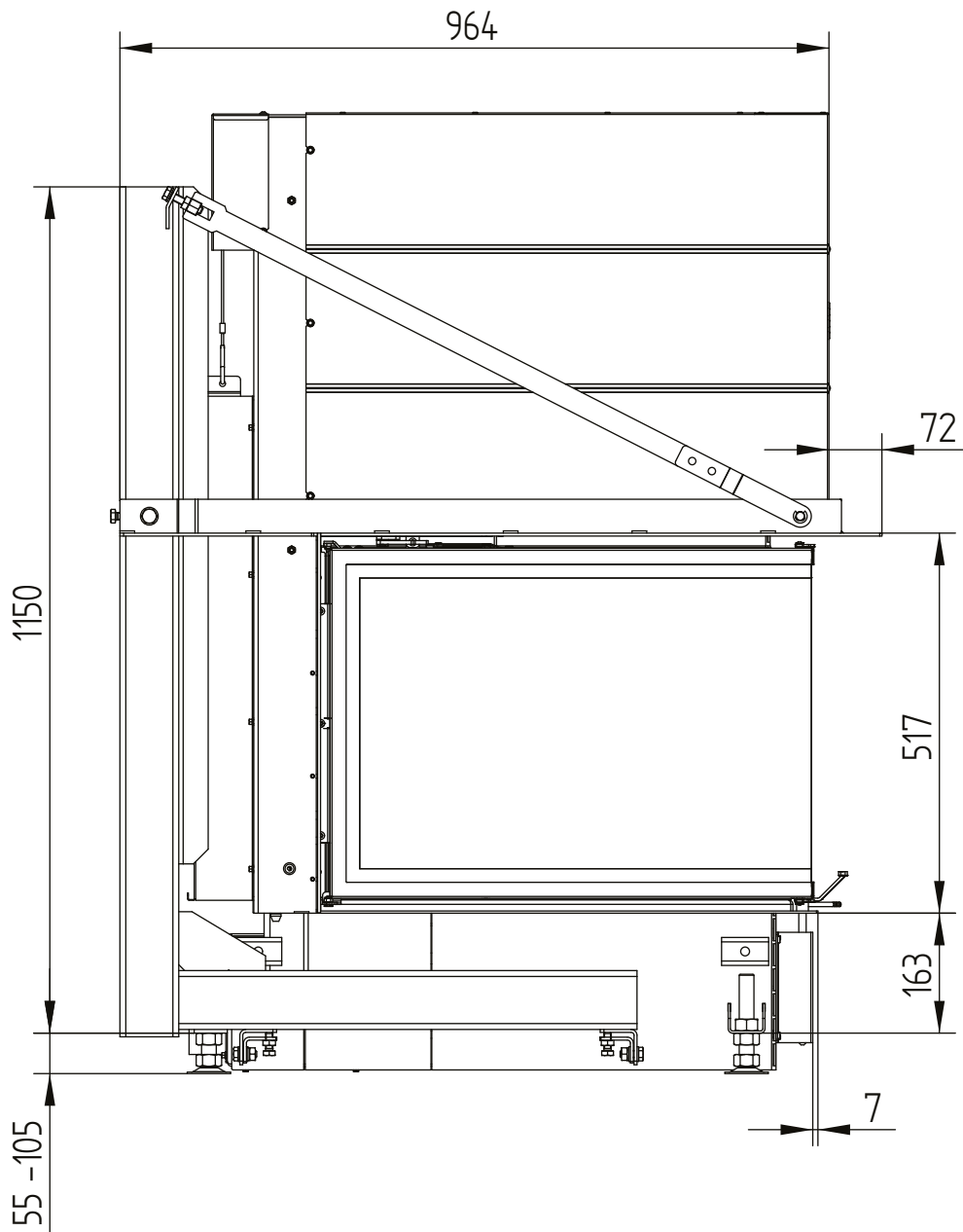


# UKA 69/48/69/51

Technical data  
Version 2019/08

supporting construction incl. build-on frame 5sides 70 mm

M 1:10

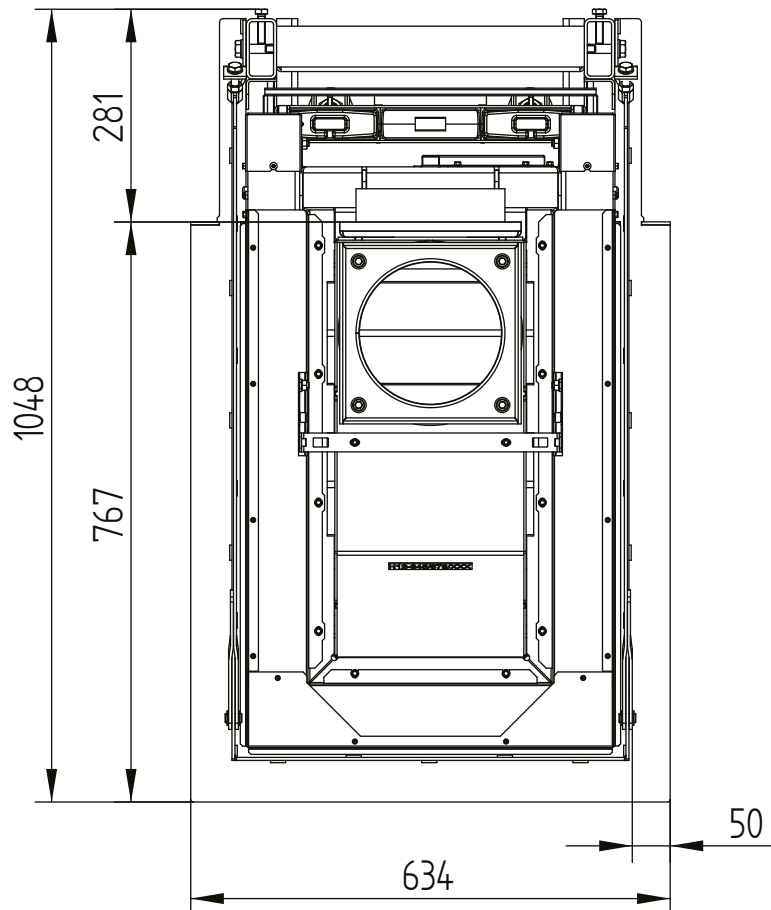


# UKA 69/48/69/51

Technical data  
Version 2019/08

supporting construction incl. build-on frame 5sides 70 mm

M 1:10

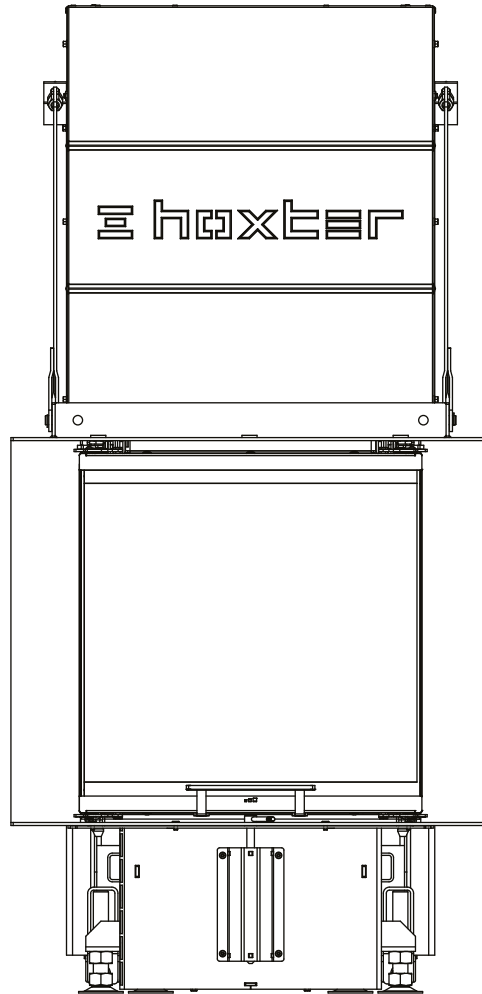


# UKA 69/48/69/51

Technical data  
Version 2019/08

supporting construction incl. build-on frame 8sides 70 mm

M 1:10

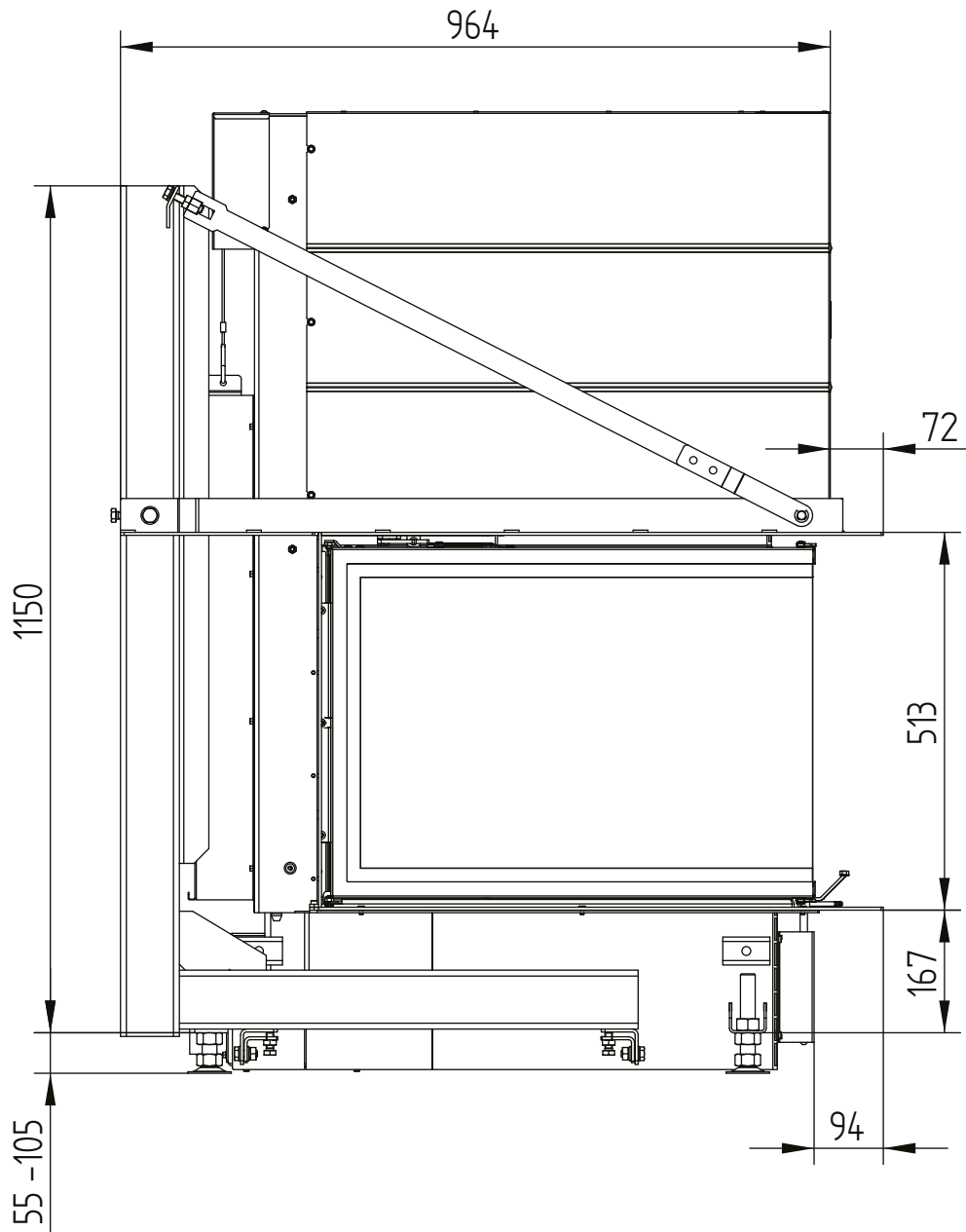


# UKA 69/48/69/51

Technical data  
Version 2019/08

supporting construction incl. build-on frame 8sides 70 mm

M 1:10



# UKA 69/48/69/51

Technical data  
Version 2019/08

supporting construction incl. build-on frame 8sides 70 mm

M 1:10

